

Alphalite

PROJECT NAME

CATALOG NO.

TYPE

DATE

NOTE

SPECTRA SERIES PLASMA HIGH BAY

SPE400 Series

DESCRIPTION

The SPECTRA Series Plasma High Bay delivers extreme intensity and high lumen output for high mounting applications. Superior color, long life, dimmability, and high efficiency allows this luminaire to outperform traditional HID high bays. Utilizing proprietary plasma technology, the electrodeless lamp and solid state driver enhance lighting quality. Precision-formed reflectors and micro-sized lamp deliver adequate light to working planes.

APPLICATION

Warehouse, manufacturing facilities, retail, gymnasiums, grocery.

SPECIFICATION FEATURES

Construction

High performance, cutting-edge die-cast magnesium resonator housing improves heat dissipation and reliability. Precision-engineered and manufactured optics to optimize light delivery to the working plane. Features advanced heat management for efficient power supply and driver operation. Convenient single point suspension mounting.

Electrical

Solid state driver with micro-processor technology delivers superior color performance and reduces color shift. Improved lumen maintenance versus traditional HID. Advanced dimming, monitoring, and communications capabilities.



SPE400

High Performance
Plasma High Bay

400W Equivalent

Mounting

Comes standard equipped with hook mount and cord.

Optics

Die formed, 95% reflectivity optical reflectors optimizes performance and light delivery. Single-point source micro-lamp allows for more precise control of optical distribution.

Warranty

5-year limited warranty. See complete warranty terms for details.

Quick Ship Items

ORDERING INFORMATION

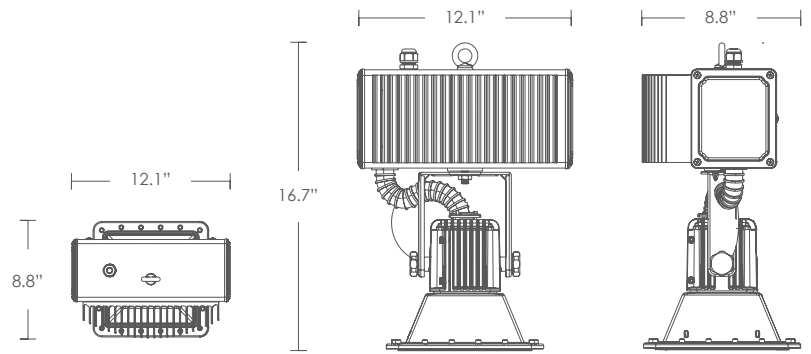
Sample Number: **SPE400-2T/850**

SPE	400	2T	8	50	(Blank)
Series SPE = Spectra	Wattage Equivalent 400 = 400W HID equivalent	Version Type 2T = Version 2T	CRI 8 = 80+ CRI	Nominal CCT 50 = 5000K	Distribution Type (Blank) = Type 5

SUMMARY

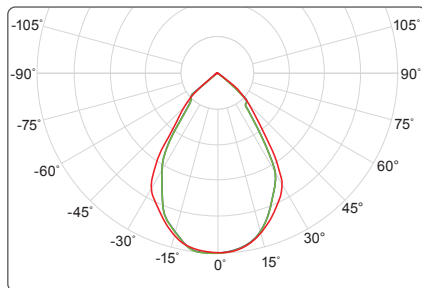
Input Voltage	120V-277V
Input Frequency	50/60 Hz
Input Power	235W
Initial Lumen Output	18,000 lm
Power Factor	> 0.95
THD (Max.)	20%
Efficacy	77 LPW
Controls/Dimming	Comes standard with 0-10V and Tx-Rx Digital Control
CRI	> 80
CCT	5000K
IP Rating	IP65
Operating Temp.	-40°C ~ +55°C

DIMENSIONS

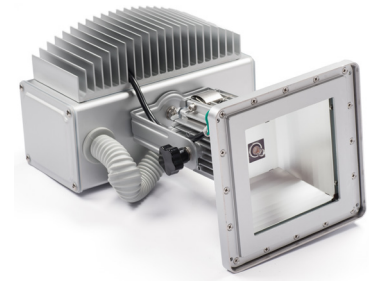


PHOTOMETRICS

Light Distribution Curve



Unit: CD 0-180° ———— C90-270° ————



Specifications and dimensions subject to change without notice.

