

Alphalite

PROJECT NAME

CATALOG NO.

TYPE

DATE

NOTE

HIGH PERFORMANCE LED SURFACE CANOPY

SCL

DESCRIPTION

The SCL - LED Surface Canopy luminaire is a modern and versatile integrated LED solution that delivers long life and energy savings within a low profile design. The rugged housing and dedicated LED design offers advanced thermal management and protection against outdoor and semi-outdoor environments.

APPLICATION

The SCL solution is ideal for walkways, parking structures, drive-thrus, cold storage, garages, outdoor aisles, and walk in coolers.

SPECIFICATION FEATURES

Construction

Rugged die-cast aluminum housing withstands outdoor environments. Outer surface treated with durable powder coating to provide resistance to corrosion, rust, weathering, and UV degradation. Performance-engineered, integral heat dissipation fins provides superior thermal management for long life and reliability.

Electrical

Luminaire utilizes long life, high efficacy LEDs and a highly efficient, reliable LED driver. 120V-277V input voltage for increased versatility. Comes equipped with quick disconnect for compliance with US code.

Mounting

Luminaire mounting designed for standard J-Box. Can be mounted directly to surface. Convenient and easy installation with universal mounting plate.



SCL

Surface Canopy Series



Optics

Precision-molded lenses provide various photometric distributions depending on application. LED lenses optimize performance and increase delivered light to desired areas.

Finish

Outer surface treated with durable powder coating to provide resistance to corrosion, rust, weathering, and UV degradation.

Certifications / Regulatory

ETL listed. All components have safety approvals.

Warranty

5-year limited warranty. See complete warranty terms for details.

Quick Ship Product

SCL-L(40)/50K

ORDERING INFORMATION

Sample Number: SCL-40/50K

SCL	40	50K	(Blank)	(Blank)	(Blank)
Series SCL - LED Surface Canopy	Nominal Wattage/Lumen Package L(40) - 40W, 5047 lumens N(60) - 60W, 6709 lumens H(100) - 100W, 12069 lumens VH(120) - 120W, 14604 lumens	CCT 50K - 5000K	Input Voltage (Blank) - 120V-277V 347 - 347V 480 - 480V	Control Options OS - Integrated step dimming PIR occupancy sensor MMS - Integrated step dimming microwave motion sensor DL - Integrated daylight harvesting	Finish (Blank) - Dark Bronze WT = White

SUMMARY

Input Voltage	120V-277V
Input Frequency	50/50 Hz
Input Power	See energy data for details
Power Factor	> 0.95
THD (Max.)	20%
Efficacy	> 116 LPW
Delivered Lumens	See energy data for details
Controls/Dimming	0-10V dimming, option available.
CRI	> 70
CCT	5000K
Operating Temp.	-40 ~ +50 C

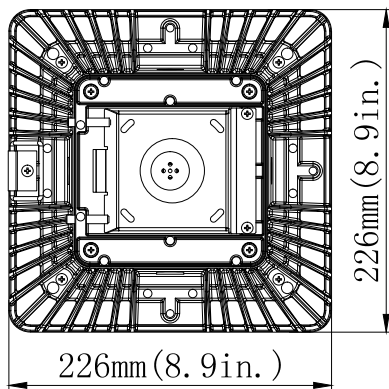
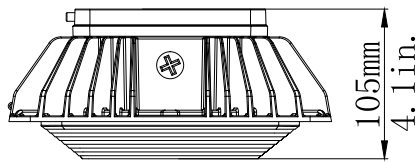
ENERGY PERFORMANCE DATA

Part No.	Rated Wattage	Tested Wattage	Lumens (lm)	Efficacy (lm/W)
SCL-L(40)/50K	40	43	5047	116
SCL-N(60)/50K	60	56	6709	120
SCL-H(100)/50K	100	100	12069	121
SCL-VH(120)/50K	120	122	14604	120

PHYSICAL PARAMETERS

DIMENSION

SCL-40, and 60



SCL-100, and 120

