

PROJECT NAME

CATALOG NO.

TYPE

DATE

NOTE

MMS MICROWAVE SENSOR - DMMS-054V

MMS Series
Microwave Occupancy
Sensor

DESCRIPTION

The DMMS-054V sensor is innovative and active motion detectors with HF system 5.8GHz. Motion can be detected through plastic, glass and thin non-metal materials except the higher mounting height 50 ft Max. The sensors allow energy saving without compromising comfort. When used in combination with 1-10V dimmable LED drivers or ballasts, they can achieve 3-step dimming function, which is perfect for use in some areas that requires a light change notice before totally switch off. Also, the 1-10V interface in the sensors can match up with Alphalite stand-alone daylight sensor DSMS-01, and implement daylight harvesting, means the lighting system has automated controls that either turn off or dim artificial light in response to the available daylight in the space..



SPECIFICATION FEATURES

Benefits

- Automatic dimming when used in combination with 1-10V dimmable LED drivers or ballasts.
- Built-in adjustable daylight sensor.
- 1-10V interface can match up with Alphalite stand-alone daylight sensor DSMS-01 and achieve daylight harvesting.
- Detection area, time delay and daylight threshold can be precisely set via remote control.
- Wide detection area, range up to 27ft in diameter and mounting height 50 ft Max. suitable for warehouse use.
- Special clip for installation easy to be fixed with high bay.



Hold Time
5s~30min



Mounting Height
15m Max.



Automatic Dimming



5 Years Guarantee

ORDERING INFORMATION

Available with the following Alphalite products:

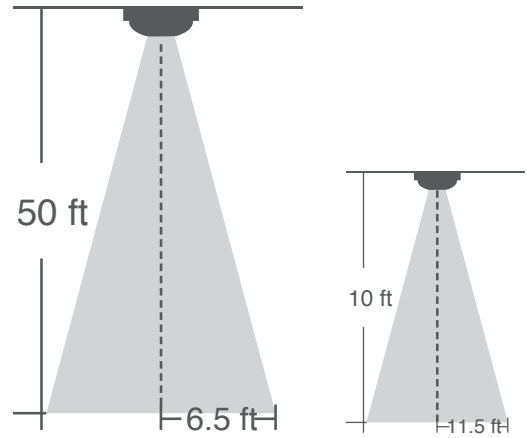
RHX Series - LED IP65 Food Grade Rated High Bay



SUMMARY

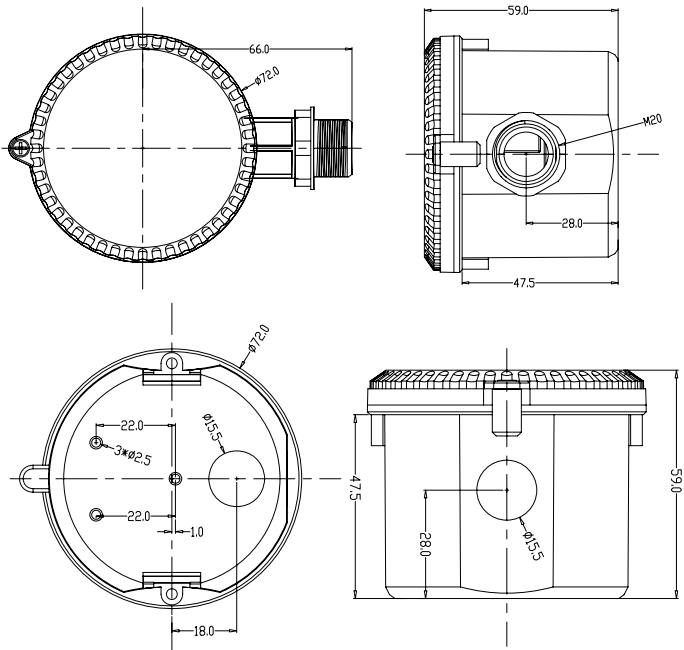
Operating voltage	120-277Vac, 50/60Hz
Rated load	400W@120Vac, 800W@220-277Vac (inductive) 800W@120Vac, 1200W@220-277Vac (resistive)
HF system	5.8GHz±75MHz, ISM wave band
Transmitting power	<0.5mW
Power consumption	≤1W(standby), <1.5W(operation)
Detection zone	Max.(D x H): 27ft x 50ft
Detection sensitivity	100% / 50%
Hold time	Sensor:5s/30s/1min/3min/20min/30min Remote control:5s/30s/1min/3min/5min/10min/20min/30min
Daylight sensor	Sensor:5lux/15lux/30lux/50lux/100lux/150lux/Disable
Stand-by period	Sensor:0s/1min/3min/10min/30min/∞ Remote control: 0s/10s/1min/3min/5min/10min/30min/+∞
Stand-by dimming level	Sensor:10%/20%/30%/50%
Mounting height	15m Max.
Motion detection	0.5~3m/s
Detection angle	150°(wall installation) 360°(ceiling installation)
Operating temperature	-35°C~55°C

DETECTION PATTERN



PHYSICAL PARAMETERS

DIMENSION



WIRING DIAGRAM

