



PROJECT NAME

CATALOG NO.

TYPE

DATE

NOTE

INFINITY VOLUMETRIC LED Troffer, Dual Diffuser

ILT-DB Series

Panels and Troffers

DESCRIPTION

The Infinity Volumetric LED Troffer series combines the benefits of long life, controllability, and energy savings with elegant design and superior quality of light. The ILT luminaires optimize LED optics and electronics to deliver energy savings and high performance.

APPLICATION

Indoor general/ambient illumination. Idea for offices, retail, and other architectural spaces that demand energy demand reduction and high quality light.

SPECIFICATION FEATURES

Construction

Rugged construction: solid die-formed, cold-rolled steel. Interior utilizes highly reflective powder coat finish. All surfaces coated and baked post-fabrication with high gloss powder-paint. Diffuser lens provides even and consistent light while eliminating pixelation. Tool-less removal of diffuser allows access to LED array. LED module and driver are replaceable.

Electrical

Luminaire utilizes long life, high efficacy LEDs and a highly efficient, reliable LED driver. 120V-277V input voltage for increased versatility. 0-10V continuous dimming comes standard. Ideal when used in conjunction with controls and sensors. Comes equipped with quick disconnect for compliance with US code

Mounting

Installs recessed with T-bar grid. LED module arrays and drivers accessible from fixture during service and operation, no need to access via plenum.



Finish

Highly reflective powder coat finish. Baked white matte paint, applied after fabrication.

Optics

Volumetric effect achieved by delivering a comfortable mix of light to working and surrounding surfaces, creating balanced illumination throughout the environment. Occupants can realize a productive and comfortable atmosphere through enhanced light quality and distribution. Diffuser shape, pattern, and opacity designed in conjunction with precisely-engineered reflector cavity angles to distribute LED light consistently, reducing glare and pixelation.

Certifications / Regulatory

UL/cUL listed. All components used have UL approval. UL Class 2. Power supply: SCP, OTP, OVP protection, FCC Part 15 Class B, UL8750 Class 2. DLC listed.

Warranty

5-year limited warranty. See complete warranty terms for details.



Quick Ship Product

ORDERING INFORMATION

Sample Number: ILT-DB-22H/840

ILT-DB	22	H	8	40	(Blank)	(Blank)
Series ILT-DB - Infinity Volumetric LED Troffer, Dual Diffuser	Form Factor 22 - 2'x2' 24 - 2'x4'	Lumen Package VL - Very Low Wattage H - High Lumen *See energy data for details	CRI 8 - 82+ CRI	CCT 35 - 3500K 40 - 4000K 50 - 5000K	Input Voltage (Blank) - 120V-277V	Dimming (Blank) - 0-10V

Options

Accessories

FLK - Flange Kit
SMK - Surface Mount Kit

Controls

MMS - Integrated step dimming microwave motion sensor
DMMSDL - Step dimming microwave motion sensor and daylight harvesting
DL - Integrated daylight harvesting

Emergency Backup

(Lumen will maintain over the 90-minute duration)
EM700 - 700lm
EM1400 - 1400lm
EM2000 - 2000lm

Assembly in USA

BAA - assembly in USA

SUMMARY

Input Voltage	120V-277V
Input Power	See energy data for details
Power Factor	> 0.95
THD (Max.)	20%
Efficacy	> 125 LPW
Delivered Lumens	See energy data for details
Controls/ Dimming	Full Range 0-10V dimming standard
Dimming Range	10-100%
CRI	> 82
CCT	3000K, 3500K, 4000K, 5000K
Operating Temp.	-20 ~ +55 C

ENERGY PERFORMANCE DATA

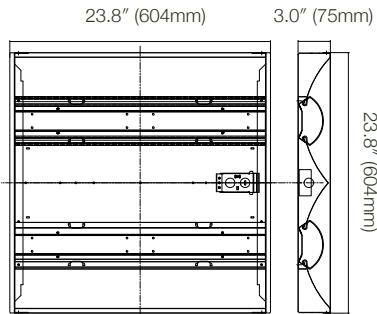
	Lumen package	Input watts	Lumens	LPW	CCT
2 x 2	ILT-DB-22H/835	30			3500K
	ILT-DB-22H/840	30	3900	125	4000K
	ILT-DB-22H/850	30			5000K
2 x 4	ILT-DB-24H/835	45			3500K
	ILT-DB-24H/840	45	5579	125	4000K
	ILT-DB-24H/850	45			5000K

PHYSICAL PARAMETERS

DIMENSION

ILT-DB-22

7.72 Lbs.



ILT-DB-24

12.76 Lbs.

