



PROJECT

TYPE

DATE

ITEM NO.

NOTE

INFINITY VOLUMETRIC LED TROFFER RETROFIT KIT

IRT Series

Retrofit Kits

DESCRIPTION

The Infinity Volumetric LED Troffer Retrofit Kit series combines the benefits of long life, controllability, and energy savings with elegant design and superior quality of light. The IRT retrofit solution optimizes LED optics and electronics to deliver energy savings and high performance while being extremely quick and easy to install.

APPLICATION

Indoor general/ambient illumination. Idea for offices, retail, and other architectural spaces that demand energy demand reduction and high quality light.



SPECIFICATION FEATURES

Construction

Rugged construction: solid die-formed, cold-rolled steel. Interior utilizes highly reflective powder coat finish. All surfaces coated and baked post-fabrication with high gloss powder-paint. Diffuser lens provides even and consistent light while eliminating pixelation. LED module and driver are replaceable. Easy and convenient installation utilizes existing luminaire body, reduces labor hours. Housing and optics maintain damp location rating with all internal components.

Electrical

Luminaire utilizes long life, high efficacy LEDs and a highly efficient, reliable LED driver. 120-277V input voltage for increased versatility. 1-10V continuous dimming comes standard. Ideal when used in conjunction with controls and sensors. Comes equipped with quick disconnect for compliance with US code

Finish

Highly reflective powder coat finish. Baked white matte paint, applied after fabrication.

Optics

Occupants can realize a productive and comfortable atmosphere through enhanced light quality and distribution. Diffuser shape, pattern, and opacity designed in conjunction with precisely-engineered reflector cavity angles to distribute LED light consistently, reducing glare and pixelation.

Mounting

Installs within existing troffer and louvers. Utilizes existing luminaire body, eliminating the need to remove and dispose of old hardware. LED module arrays and drivers accessible from fixture during service and operation, no need to access via plenum.

Certifications / Regulatory

UL/cUL listed. All components used have UL approval. UL Class 2. Power supply: SCP, OTP, OVP protection, FCC Part 15 Class B, UL8750 Class 2.

Warranty

7-year limited warranty. See complete warranty terms for details.

Quick Ship Product

IRT-22L(23S)/840.
IRT-22H(33S)/840.
IRT-24L(30S2)/850.
IRT-24L(36S)/840
IRT-24L(36S)/850

ORDERING INFORMATION

Sample Number: IRT-14L(23S)/840

Series	Length	Lumen Package			CRI	CCT
IRT - Infinity Volumetric LED Troffer Retrofit Kit	14 - 1'x4'	1'x4'	2'x2'	2'x4'	8 - 80+ CRI	35 - 3500K
	22 - 2'x2'	14L(12S2)	22L(23S)	24VL(23S)		40 - 4000K
	24 - 2'x4'	- 12W, 1500lm	- 23W, 2875lm	- 23W, 2875lm		50 - 5000K
		14L(23S)	22H(33S)	24L(30S2)		A - 5000/4000/3500K Adjustable
		- 23W, 2875lm	- 33W, 4125lm	- 30W, 3750lm		
				24L(36S) - 36W, 4500lm 24L(45/35/26S2) - 45/35/26W, 6300/4900/3640lm		

Auxiliary Power	Input Voltage	Control Option	Emergency Backup	Assembly in USA
(Blank) - without Aux 12V - with Aux 12V	(Blank) - 120-277V C - 120-347V 480 - 480V	OS - Step dimming PIR motion sensor and daylight sensor (Required RC-RM51 Sensor Configuration Tool) AWN - Lutron Athena wireless node integral fixture control (RF only) AWNS - Lutron Athena wireless node integral fixture control (RF with daylight and occupancy sensing) *Recommended to be used at heights of 8-12 feet for optimal coverage.	EM15W - 15W constant power with integrated self-diagnostic test	(Blank) - Non-BAA BAA - Assembly in USA

SUMMARY

Input Voltage	120-277V
Input Power	See energy data for details
Power Factor	> 0.9
THD (Max.)	10%
Efficacy	>125 LPW
Delivered Lumens	See energy data for details
Controls/ Dimming	1-10V dimming standard
Dimming Range	10-100%
CRI	> 80
CCT	3500,4000,5000K
	3500/4000/5000K Selectable
Operating Temp.	-4°F ~ 133°F (-20°C ~ +55°C)
Rated Life	70,000 hours

ENERGY PERFORMANCE DATA

Form Factor	Part No.	Rated Wattage (W)	Delivered Lumens (lm)	Efficacy (lm/W)
2'x2'	IRT-22L(23S)/835	23	2875	125
	IRT-22L(23S)/840			
	IRT-22L(23S)/850			
	IRT-22H(33S)/835			
	IRT-22H(33S)/840			
2'x4'	IRT-24VL(23S)/835	23	2875	125
	IRT-24VL(23S)/840			
	IRT-24VL(23S)/850			
	IRT-24L(30S2)/835			
	IRT-24L(30S2)/840			
1'x4'	IRT-24L(30S2)/850	30	3750	125
	IRT-24L(36S)/835			
	IRT-24L(36S)/840			
	IRT-24L(36S)/850			
	IRT-24L(45/35/26S2)/8A-C*			
1'x4'	IRT-14VL(12S2)/835-C*	12	1500	125
	IRT-14L(23S)/835			
	IRT-14L(23S)/840			
	IRT-14L(23S)/850			

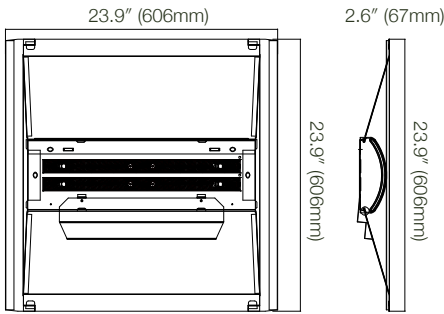
* DLC 5.1 Listed

PHYSICAL PARAMETERS

DIMENSION

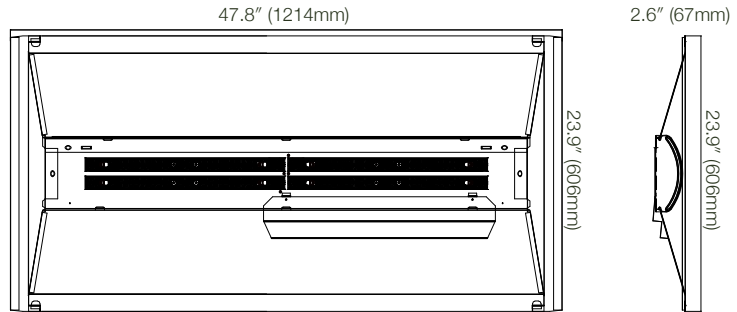
IRT-22

7.72 Lbs.



IRT-24

13.14 Lbs.



IRT-14

9.04 Lbs.

