



PROJECT NAME

CATALOG NO.

TYPE

DATE

NOTE

## LED Prismatic Troffer

**LTS Series**  
Panels and Troffers

### DESCRIPTION

The Prismatic LED Troffer series combines the benefits of long life, controllability, and energy savings with economic design and superior quality of light. The LTS luminaires optimize LED optics and electronics to deliver energy savings and high performance.

### APPLICATION

Indoor general/ambient illumination. Idea for offices, schools, retail, and other architectural spaces that demand energy demand reduction and high quality light.



### SPECIFICATION FEATURES

#### Construction

Rugged construction: solid die-formed, cold-rolled steel. Interior utilizes highly reflective powder coat finish. All surfaces coated and baked post-fabrication with high gloss powder-paint. Diffuser lens provides even and consistent light while eliminating pixelation. Tool-less removal of diffuser allows access to LED array. LED module and driver are replaceable.

#### Electrical

Luminaire utilizes long life, high efficacy LEDs and a highly efficient, reliable LED driver. 120V-277V input voltage for increased versatility. 0-10V continuous dimming comes standard. Ideal when used in conjunction with controls and sensors. Comes equipped with quick disconnect for compliance with US code

#### Mounting

Installs recessed with T-bar grid. LED module arrays and drivers accessible from fixture during service and operation, no need to access via plenum.

#### Finish

Highly reflective powder coat finish. Baked white matte paint, applied after fabrication.

#### Optics

Volumetric effect achieved by delivering a comfortable mix of light to working and surrounding surfaces, creating balanced illumination throughout the environment. Occupants can realize a productive and comfortable atmosphere through enhanced light quality and distribution. Diffuser shape, pattern, and opacity designed in conjunction with precisely-engineered reflector cavity angles to distribute LED light consistently, reducing glare and pixelation.

#### Certifications / Regulatory

UL/cUL listed. All components used have UL approval. UL Class 2. Power supply: SCP, OTP, OVP protection, FCC Part 15 Class B, UL8750 Class 2. DLC listed.

#### Warranty

7-year limited warranty. See complete warranty terms for details.

### Quick Ship Product

- LTS-22H/840
- LTS-22H/850

## ORDERING INFORMATION

Sample Number: LTS-22H/840

LTS	22	H	8	40	(Blank)	(Blank)
<b>Series</b>	<b>Form Factor</b>	<b>Lumen Package</b>	<b>CRI</b>	<b>CCT</b>	<b>Input Voltage</b>	<b>Dimming</b>
LTS - LED Prismatic Troffer	22 - 2'x2' 24 - 2'x4'	L - Low Wattage H - High Lumen HB - High Bay *see energy data for details	8 - 82+ CRI	35 - 3500K 40 - 4000K 50 - 5000K A - Adjustable CCT	(Blank) - 120V-277V 347 - 347V	(Blank) - 0-10V

### Options

#### Controls

- MMS - Step dimming microwave motion sensor
- DMMSDL - Step dimming microwave motion sensor and daylight harvesting
- SMC - Smart Control System

#### Emergency Backup

- (Require field installation)
- EM700 - 700lm
- EM1400 - 1400lm
- EM2000 - 2000lm

SUMMARY

Input Voltage	120V-277V
Input Power	See energy data for details
Power Factor	> 0.95
THD (Max.)	20%
Efficacy	> 127 LPW
Delivered Lumens	See energy data for details
Controls/ Dimming	Full Range 0-10V dimming standard
Dimming Range	0-10V Continuous (10-100%)
CRI	> 83
CCT	3500K, 4000K, 5000K
Operating Temp.	-20 ~ +55 C

ENERGY PERFORMANCE DATA

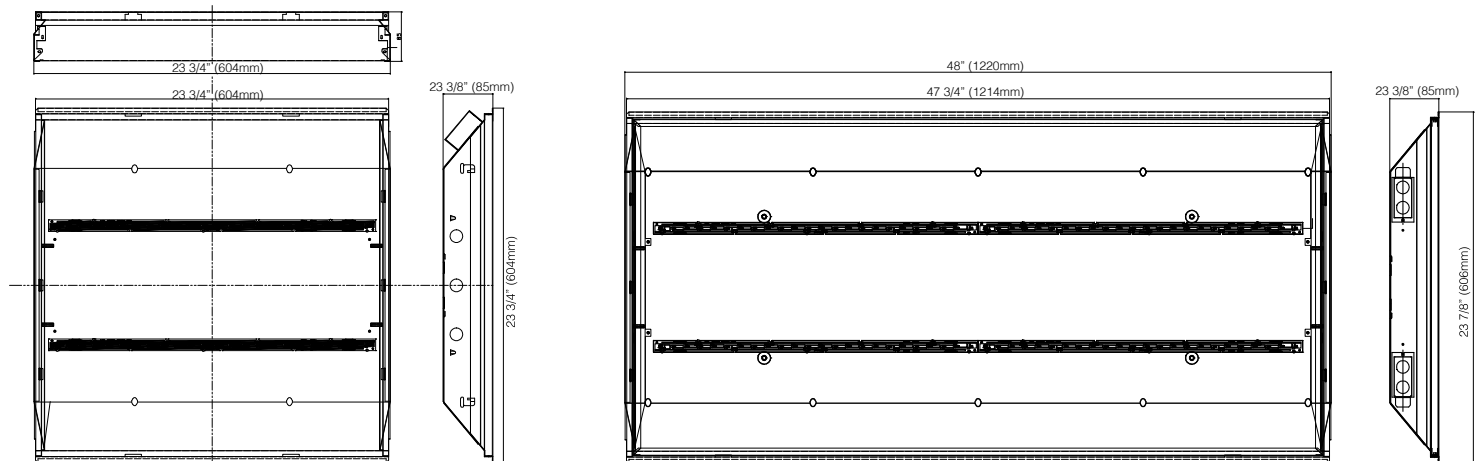
Form Factor	Part No.	Rated Wattage (W)	Tested Wattage (W)	Delivered Lumens (lm)	Efficacy (lm/W)
2'x2'	LTS-22H/835	42	40	5080	127
	LTS-22H/840			5120	128
	LTS-22H/850			5160	129
	LTS-22HB(90)/835	90	90	11700	130
	LTS-22HB(90)/840			12060	134
	LTS-22HB(90)/850			12150	135
	LTS-22HB(130)/835	130	130	15600	120
	LTS-22HB(130)/840			16250	125
	LTS-22HB(130)/850			16900	130
LTS-22L(34/24/18S2)/8A	34/24/18	34/24/18	4250/3000/2250	125	
2'x4'	LTS-24L(34S)/835	34	34	3673	107
	LTS-24L(34S)/840			3774	111
	LTS-24L(34S)/850			3808	112
	LTS-24L(48/34/26S2)/835	48/34/26	48/34/26	6096/4624/3692	127
	LTS-24L(48/34/26S2)/840			6144/4658/3718	128
	LTS-24L(48/34/26S2)/850			6192/4692/3744	129

PHYSICAL PARAMETERS

DIMENSION

LTS-22

LTS-24



-DMMS/MMS control pre-commissioning

Sample Number: -DMMS (10-3M-L3-S10M)

10	3M	L3	S10M	(Blank)
<b>Detection Area</b>	<b>Hold Time</b>	<b>Low Mode</b>	<b>Stand-by Period</b>	<b>Daylight Sensor</b>
10 - 100%	NM - ∞	L5 - 50%	SN - ∞	(Blank) - Disable
7 - 75%	20M - 20 min.	L3 - 30%	S1H - 1 hr.	D100 - 100 lux
5 - 50%	3M - 3 min.	L2 - 20%	S30M - 30 min.	D50 - 50 lux
1 - 10%	30S - 30 sec.	L1 - 10%	S10M - 10 min.	D25 - 25 lux
	5S - 5 sec.		S5M - 5 min.	D10 - 10 lux
			S5S - 5 sec.	D5 - 5 lux
			(Blank) - Disable	D2 - 2 lux
<p><b>Detection Area:</b> Detection area can be reduced to fit precisely each application.</p> <p><b>Hold Time:</b> The time period the luminaire remains at 100% illumination after no motion detected.</p> <p><b>Low Mode:</b> The selected low light level after the hold time.</p> <p><b>Stand-by Period:</b> The time period the luminaire remains at "Low Mode" before it completely switched off in the long absence of people. When set to "∞" mode, the low light level is maintained until motion is detected.</p> <p><b>Daylight Sensor:</b> The sensor can be set to only allow the luminaire to illuminate below a defined ambient brightness threshold. When set to "Disable" mode, the daylight sensor will switch on the luminaire when motion is detected regardless of ambient light level.</p> <p>**Noted that daylight sensor is active only when the luminaire switches off**</p>				