



PROJECT NAME

CATALOG NO.

TYPE

DATE

NOTE

## LED LINEAR RETROFIT KIT

**RXL Series**  
Retrofit Kits (DLC Listed)

### DESCRIPTION

The RXL LED Linear Strip Retrofit Kit series combines the benefits of long life, controllability, and energy savings with elegant design and superior quality of light. The RXL retrofit solution optimizes LED optics and electronics to deliver energy savings and high performance while being extremely quick and easy to install.

### APPLICATION

Versatile upgrade solution for existing general purpose strip luminaires. Ideal for parking garages, corridors, hallways, stairwells, offices, closets, storage rooms, warehouse, manufacturing facilities, and spaces that demand energy demand reduction and high quality light.



### SPECIFICATION FEATURES

#### Construction

Reflector utilizes highly reflective powder coat finish. PMMA Diffuser lens provides even and consistent light while eliminating pixelation. Tool-less removal of diffuser allows access to LED array. LED module and driver are replaceable. Universal reflector brackets accommodate various strip widths. Easy and convenient installation utilizes existing luminaire body, reduces labor hours. Integrated driver eliminates additional labor. Housing and optics maintain damp location rating with all internal components.

#### Electrical

Luminaire utilizes long life, high efficacy LEDs and a highly efficient, reliable LED driver. 1-10V continuous dimming comes standard. Ideal when used in conjunction with controls and sensors. Comes equipped with quick disconnect for compliance with US code.

#### Finish

Highly reflective finish. Baked white paint, applied after fabrication.

#### Mounting

Installs on existing fluorescent strip fixtures. Utilizes existing luminaire body, eliminating the need to remove and dispose of old hardware. No need to re-mount or re-hang strip fixture. Universal reflector bracket accommodates various fixture widths.

#### Optics

LED light engine and integrated optics delivers enhanced light quality and distribution. Precision-formed diffuser and reflector are designed LED light consistently, reducing glare and pixelation.

#### Certifications / Regulatory

All components used have UL approval. UL Class 2. DLC 5.1 Listed. \*Not all versions of this product may be DLC listed, please check the QPL at [www.designlights.org/QPL](http://www.designlights.org/QPL) to confirm which versions are qualified.

#### Warranty

7-year limited warranty. See complete warranty terms for details.

### Quick Ship Product

RXL-4H(35/25/18S2)/8A  
RXL-4VH(35/25/18S2)/8A-12V  
RXL-8L(54/46/38S2)/8A-PC  
RXL-8H(90/75/65S2)/8A-12V

## ORDERING INFORMATION

Sample Number: RXL-8H(90/75/65S2)/835

RXL	8	H	8	35	(Blank)	(Blank)
<b>Series</b>	<b>Form Factor</b>	<b>Lumen Package</b>	<b>CRI</b>	<b>CCT</b>	<b>Input Voltage</b>	<b>Auxiliary Power DC12V</b>
RXL - LED Linear Retrofit Kit	8 - 8' 4 - 4'	VL - Very Low Wattage L - Low Wattage H - High Lumen VH - Very High Lumen	8 - 82+ CRI	35 - 3500K 40 - 4000K 50 - 5000K A - 5000/4000/3500K Adjustable	(Blank) - 120-277V C - 120-347V	(Blank) - without AUX 12V - with DC12V (PC diffuser)

### Options

#### Accessories

LN - Lens (1 for 4', 2 for 8')

#### Driver Options

CT - Cold temperature driver, 40°F-131°F (-40°C-55°C)

Input Voltage: Custom input voltage available

Contact your Alphalite representative for added cost, quantities and lead times.

#### Controls

PIR - On/off PIR High Bay motion sensor (Field installed required)

PIRD - On/off PIR high bay motion and daylight sensor (Field installed required)

OS - Step dimming PIR motion sensor and daylight sensor (Field installed required)

MMS - Step dimming Microwave Sensor (Motion detection/Photocell/Dimming)

DMMS-DL - Step dimming Microwave Sensor (Motion detection/Photocell/Dimming/Daylight harvesting)

DL - Integrated daylight harvesting

SMC - Smart Control System

Remarks: Sensor configuration tool remote control required, not included

#### Emergency Backup

(Lumen will maintain over the 90-minute duration)

EM2000 - 2000lm

#### Assembly in USA

BAA - assembly in USA



11920 Altamar Pl., Santa Fe Springs, CA 90670  
Tel: 888.287.9228 | Fax: 888.258.9183 | support@alphalite.com | alphalite.com

SUMMARY

Input Voltage	120-277V
Input Power	See energy data for details
Power Factor	>0.9
THD (Max.)	<20%
Efficacy	130LPW
Delivered Lumens	See energy data for details
Controls/ Dimming	1-10V dimming standard
Dimming Range	10-100%
CRI	>80
CCT	3500,4000,5000K 3500/4000/5000K Selectable
Operating Temp.	-4°F ~ 133°F (-20°C ~ +55°C)
Rated Life	70,000 hours

ENERGY PERFORMANCE DATA

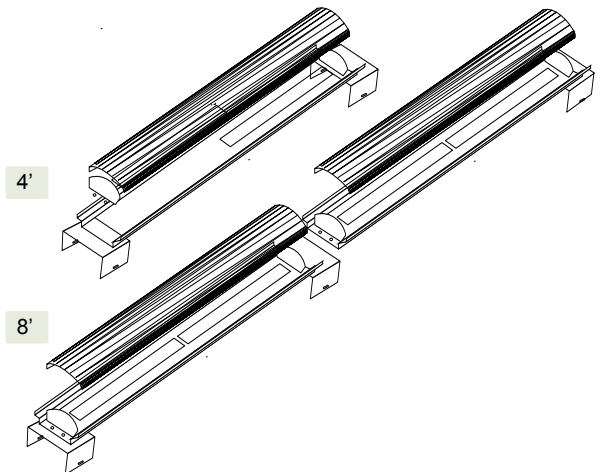
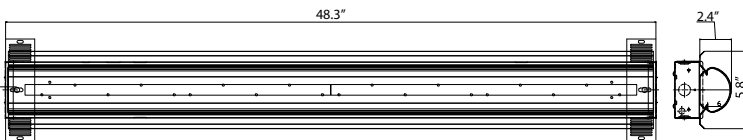
Form Factor	Part No.	Rated Wattage (W)	Delivered Lumens (lm)	Efficacy (lm/W)
4'	RXL-4H(35/25/18S2)/8A	35/25/18	4550/3250/2340	130
	RXL-4VH(64/56/46S2)/8A-12V	64/56/46	8320/7280/5980	130
8'	RXL-8H(90/75/65S2)/835	90/75/65	11700/9750/8450	130
	RXL-8H(90/75/65S2)/840			
	RXL-8H(90/75/65S2)/850	54/46/38	7020/5980/4940	130
	RXL-8L(54/46/38S2)/8A			
	RXL-8H(90/75/65S2)/8A	90/75/65	11700/9750/8450	130

PHYSICAL PARAMETERS

DIMENSION

RXL- 4

5.38 Lbs.



RXL- 8

9.26 Lbs.

