



PROJECT

TYPE

DATE

ITEM NO.

NOTE

LED OUTDOOR SURFACE CANOPY

SCL Series

Canopy and Parking Garage
Luminaires

DESCRIPTION

The SCL - LED Outdoor Surface Canopy is a modern and versatile integrated LED solution that delivers long life and energy savings within a low profile design. The rugged housing and dedicated LED design offers advanced thermal management and protection against outdoor and semi-outdoor environments.

APPLICATION

The SCL solution is ideal for walkways, parking structures, drive-thrus, cold storage, garages, outdoor aisles, and walk in coolers.



SPECIFICATION FEATURES

Construction

Rugged die-cast aluminum housing withstands outdoor environments. Outer surface treated with durable powder coating to provide resistance to corrosion, rust, weathering, and UV degradation. Performance-engineered, integral heat dissipation fins provides superior thermal management for long life and reliability.

Electrical

Luminaire utilizes long life, high efficacy LEDs and a highly efficient, reliable LED driver. 120-277V input voltage for increased versatility. Comes equipped with quick disconnect for compliance with US code.

Mounting

Luminaire mounting designed for standard J-Box. Can be mounted directly to surface. Convenient and easy installation with universal mounting plate.

Optics

Precision-molded lenses provide various photometric distributions depending on application. LED lenses optimize performance and increase delivered light to desired areas. Light distribution Type VS, Beam angle 112°.

Finish

Outer surface treated with durable powder coating to provide resistance to corrosion, rust, weathering, and UV degradation.

Certifications / Regulatory

UL listed. All components have safety approvals. Wet location.

Warranty

5-year limited warranty. See complete warranty terms for details.

Quick Ship Product

SCL-60/50K-10V

ORDERING INFORMATION

Sample Number: SCL-L(40)/50K-10V

Series	Lumen Package				CCT	Driver Option	Finish Color
SCL - LED Outdoor Surface Canopy	L(40)	60	H(85)	120	30 - 3000K	(Blank) - Without dimming 10V - 0-10V continuous dimming	(Blank) - Dark Bronze WT - White
	- 40W, 5047lm	- 60W, 6709lm	- 85W, 9860lm	- 120W, 14604lm	35 - 3500K		
					40 - 4000K		
					50 - 5000K		

Control Option

MMS - Step dimming Microwave Sensor and daylight sensor *configuration tool required

OS - Step dimming PIR Sensor and daylight sensor *configuration tool required

Accessories

SCL-PMK3/4 - Pendant mount adapter for 3/4" stem (stem not included)

SUMMARY

Input Voltage	120-277V
Input Frequency	50/60 Hz
Input Power	See energy data for details
Power Factor	> 0.95
THD (Max.)	20%
Efficacy	> 116 LPW
Delivered Lumens	See energy data for details
Controls/Dimming	0-10V dimming option available.
CRI	> 70
CCT	3000/3500/4000/5000K
Operating Temp.	-40°F ~ 122°F (-40°C ~ +50°C)

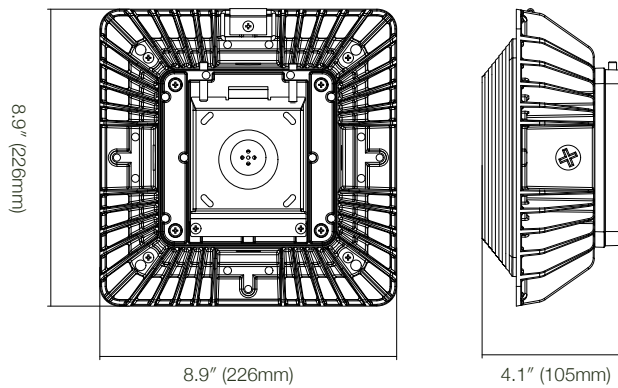
ENERGY PERFORMANCE DATA

Part No.	Rated Wattage (W)	Delivered Lumens (lm)	Efficacy (lm/W)
SCL-L(40)/50K	40	5047	116
SCL-60/50K	60	6709	120
SCL-H(85)/50K	85	9860	116
SCL-120/50K	120	14604	120

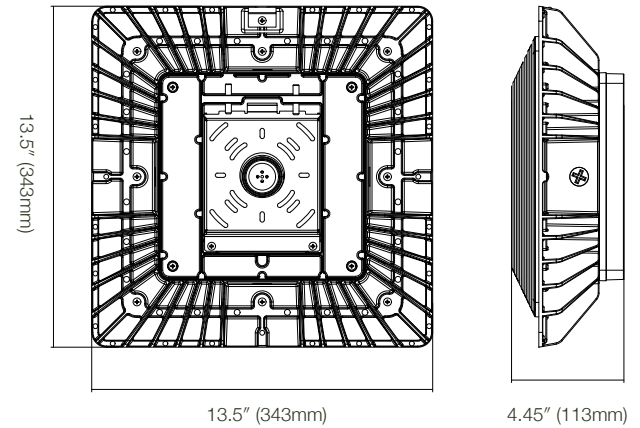
PHYSICAL PARAMETERS

DIMENSION

SCL-40, and 60



SCL-85, and 120



LIGHT DISTRIBUTION

POLAR CANDELA

