



PROJECT NAME

CATALOG NO.

TYPE

DATE

NOTE

ALBE Series - LED Slim Area Luminaire

ALBE Series Outdoor Luminaire Series

DESCRIPTION

The ALBE Series LED Area Luminaire is a high-performance, IP68-rated luminaire that produces a minimum of 125 lumens per watts, providing significant energy savings while remaining durable in the field. The lightweight design can be easily installed to new and retrofit outdoor applications, and is available in a wide range of lumen packages to replace traditional metal halide lighting from 150W to 1000W. It can also be combined with a full, architectural-grade LED fandle to create a wide range of total site solution.

APPLICATION

The ALBE Series is ideal for parking structures, auto dealerships, recreational spaces, roadways, and outdoor aisles.



SPECIFICATION FEATURES

Construction

The housing is die-cast A383 aluminum weather-tight LED driver compartment +6063 aluminum heat sink to obtain the maximum thermal dissipation. Outer surface treated with durable powder coating to provide resistance to corrosion, rust, weathering, and UV degradation. 19" 18/3 SJTW cord included standard. Rated IP68, suitable for wet locations. 4KV surge protection and shorting cap come in standard.

Mounting

Patent Slide in mounting offer simple quick installation. Versatile platform offers different mounting options, including adjustable slip fitter, round pole mount for 4"-6" pole, square pole mount for 3"x3" or larger pole, and adjustable trunnion U-bracket. Different mounting options could address area, flood, and wall pack applications.

Controls

Suitable for use with photocell and High/Low/Off microwave fixture-integrated motion sensor to achieve deeper energy-savings and code compliance.

Electrical

Luminaire utilizes long life, high efficacy LEDs and reliable LED driver. Operating temperatures is -40°F-125°F and 120V-277V input voltage for increased versatility.

Optics

Precision-formed optical lens system reduces glare and improves safety and security by delivering high efficiency illumination with precise optical distribution. Type III distribution comes standard. Type II, Type IV, and Type V optics available upon request.

Certifications / Regulatory

UL/cUL listed. All components used have UL approval. IP68 rated.

Warranty

7-year limited warranty. See complete warranty terms for details.

Quick Ship Product

ALBE-75/50K
ALBE-75/40K
ALBE-150/50K
ALBE-150/40K
ALBE-220/50K
ALBE-220/40K
ALBE-300/50K
ALBE-300/40K
ALBE-400/50K
ALBE-480/50K

ORDERING INFORMATION

Sample Number: ALBE-150/50K

ALBE	150	(Blank)	50K	(Blank)	(Blank)	(Blank)
Series	Lumen Package	Input Voltage	CCT	Beam Angle	Dimming	Finish Color
ALBE - LED Slim Area Luminaire	75 - 75W 150 - 150W 220 - 220W 300 - 300W 400 - 400W 480 - 480W *See energy data for details	(Blank) - 100V-277V HV - 277V-480V *See notes	40K - 4000K 50K - 5000K	(Blank) - Type III T2 - Type II T4 - Type IV T5 - Type V TH6V - 90°X120° Flood lens *See notes	(Blank) - 0-10V Continuous Dimming	(Blank) - Dark Bronze WH - White BLK - Black SLV - Sliver *See notes below

NOTES

Input Voltage: Custom input voltage available. Contact your Alphalite representative for added cost, quantities and lead times.

Beam Angle: Require lens changed for different beam angle. (100W package require 1 lens, 150W and 200W package require 2 lens, and 300W package require 4 lens).

Finish Color: Custom finish color available. Contact your Alphalite representative for added cost, quantities and lead times.

Options

Mounting

ASF - Adjustable Slip-fitter
RPM - Round Pole Mount for 4" to 6"
SPM - Square Pole Mount for 3"x3" or longer
AUB - Adjustable Trunion U-bracket

Dimming/ Controls

SC - Shorting cap (included)
PC - Photocell
OS - Integrated step dimming PIR occupancy sensor

SUMMARY

Input Voltage	100V-277V
Input Power	See energy data for details
Power Factor	> 0.95
THD (Max.)	20%
Efficacy	> 125 LPW
Delivered Lumens	See energy data for details
Controls/ Dimming	0-10V dimming option available.
CRI	> 70
CCT	4000K, 5000K
Operating Temp.	-40°F ~ 125°F (-40°C ~ +51°C)
Rated Life	70,000 hours
IP Grade	IP68

ENERGY PERFORMANCE DATA

Part No.	Rated Wattage (W)	Delivered Lumens (lm)	Efficacy (lm/W)
ALBE-75	75	9,750	125
ALBE-150	150	19,500	125
ALBE-220	220	28,600	125
ALBE-300	300	39,000	125
ALBE-400	400	50,000	125
ALBE-480	480	60,000	125

MOUNTING INFORMATION

Adjustable Slip-fitter

Round Pole Mount

Square Pole Mount

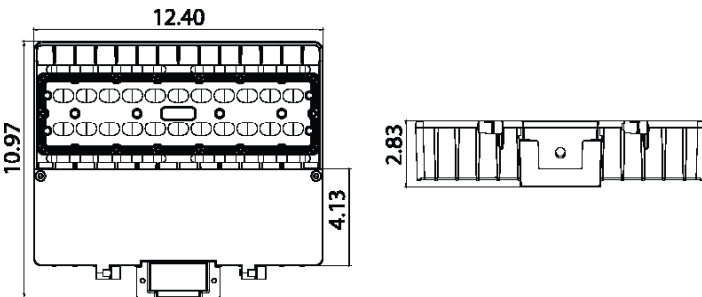
Adjustable Trunion U-bracket



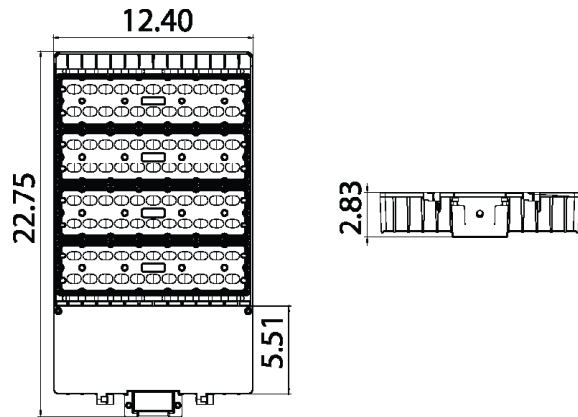
PHYSICAL PARAMETERS

DIMENSION

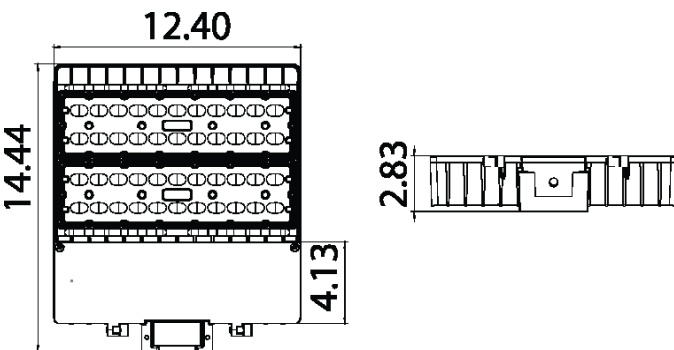
ALBE-75



ALBE-300



ALBE-150 and 220



ALBE-400 and 480

