



PROJECT NAME

CATALOG NO.

TYPE

DATE

NOTE

LED COMMERCIAL DOWNLIGHT

LCDL Series
Downlights

DESCRIPTION

The LCDL Series LED Commercial Downlight is an economical all-in-one solution for recessed down lighting for commercial lighting applications. Easy to install in new construction and replace most manufacturers incandescent, CFL or HID fixtures. LCDL series comes in 6", 8", and 10" trim.

APPLICATION

Indoor general/ambient illumination. Idea for offices, hotels, retails, and other architectural spaces that demand energy demand reduction and high quality light.



SPECIFICATION FEATURES

Construction

LCDL Series is built with easy conversion method and installation can be performed from below the ceiling without removing existing fixture. Housing and optics maintain damp location rating.

Electrical

Luminaire utilizes long life, high efficacy LEDs and a highly efficient, reliable LED driver. 120V-277V input voltage for increased versatility.

Controls

Suitable for use with dimming wall switch to achieve deeper energy-savings and code compliance. Recommended dimmers: DIVA-DVTV(LUTRON), NOVA T NTSTV- DV(LUTRON).

Certifications / Regulatory

UL/cUL listed. All components used have UL approval.

Warranty

5-year limited warranty. See complete warranty terms for details.

ORDERING INFORMATION

Sample Number: LCDL-627-10V-840

LCDL	6	27	10V	8	40	(Blank)
Series	Form Factor	Lumen Package	Dimming	CRI	CCT	Input Voltage
LCDL - LED	6 - 6" trim	27 - 27W	10V - 0-10V	8 - 80+ CRI	30 - 3000K	(Blank) - 100V-277V
Commercial	8 - 8" trim	40 - 40W			40 - 4000K	
Downlight	10 - 10" trim	(40/27/18) - Adjustable Wattage 40/27/18W (80/65/50) - Adjustable Wattage 80/65/50W *see energy data for details			A - Adjustable CCT 4000K/3500K/3000K	

Options

- Controls**
SMC - Smart Control System
- Emergency Backup (require field installation)**
EM700(FHSCP) - 700lm
- Accessory**
H6 - 6" bracket
H8 - 8" bracket
H10 - 10" bracket

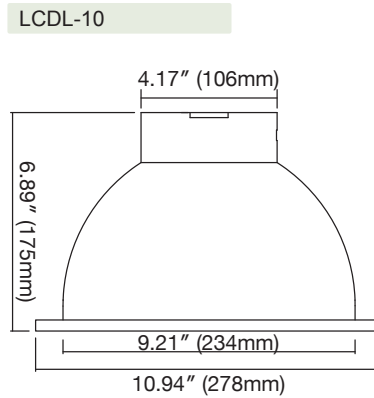
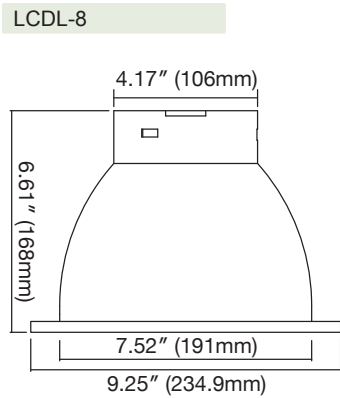
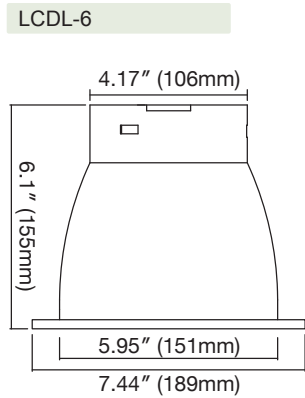
SUMMARY

Input Voltage	100V-277V
Input Power	See energy data for details
Power Factor	> 0.95
THD (Max.)	20%
Efficacy	> 80 LPW
Delivered Lumens	See energy data for details
CRI	> 80
CCT	3000K, 4000K
Operating Temp.	-4 ~ +113°F (-20 ~ +45°C)
Rated Life	50,000 hours

ENERGY PERFORMANCE DATA

Part No.	Rated Wattage (W)	Delivered Lumens (lm)	Efficacy (lm/W)
LCDL-627	27	2349	87
LCDL-640	40	3360	84
LCDL-6(40/27/18)	40/27/18	3800/2565/1710	95
LCDL-6(80/65/50)	80/65/50	6400/5200/4000	80
LCDL-827	27	2349	87
LCDL-840	40	3360	84
LCDL-8(40/27/18)	40/27/18	3800/2565/1710	95
LCDL-8(80/65/50)	80/65/50	6400/5200/4000	80
LCDL-1027	27	2349	87
LCDL-1040	40	3360	84
LCDL-10(40/27/18)	40/27/18	3800/2565/1710	95
LCDL-10(80/65/50)	80/65/50	6400/5200/4000	80

PHYSICAL PARAMETERS



Bracket adder option

