



PROJECT NAME

CATALOG NO.

TYPE

DATE

NOTE

LED COMMERCIAL DOWNLIGHT

LCDL Series

Downlights

DESCRIPTION

The LCDL Series LED Commercial Downlight is an economical all-in-one solution for recessed down lighting for commercial lighting applications. Easy to install in new construction and replace most manufacturers incandescent, CFL or HID fixtures. LCDL series comes in 4", 6", 8", and 10" trim.

APPLICATION

Indoor general/ambient illumination. Idea for offices, hotels, retails, and other architectural spaces that demand energy demand reduction and high quality light.



SPECIFICATION FEATURES

Construction

LCDL Series is built with easy conversion method and installation can be performed from below the ceiling without removing existing fixture. Housing and optics maintain damp location rating.

Electrical

Luminaire utilizes long life, high efficacy LEDs and a highly efficient, reliable LED driver. 120-277V input voltage for increased versatility.

Controls

Suitable for use with dimming wall switch to achieve deeper energy-savings and code compliance. Recommended dimmers: DIVA-DVTV(LUTRON), NOVA T NTSTV- DV(LUTRON).

Certifications / Regulatory

cULus listed. All components used have UL approval.

Warranty

5-year limited warranty. See complete warranty terms for details.

Quick Ship Product

LCDL-627/840-10V

LCDL-827/840-10V

LCDL-4(27/20/14S2)/8A-10V

LCDL-6(40/27/18S2)/8A-10V

ORDERING INFORMATION

Sample Number: LCDL-827/840-10V

LCDL	8	27	8	40	10V	(Blank)
Series	Form Factor	Lumen Package	CRI	CCT	Dimming	Input Voltage
LCDL - LED	4 - 4" trim	27 - 27W	8 - 80+ CRI	35 - 3500K	10V - 0-10V	(Blank) - 120-277V
Commercial	6 - 6" trim	(27/20/14) - Adjustable wattage		40 - 4000K		
Downlight	8 - 8" trim	27/20/14W		A - Adjustable CCT		
	10 - 10" trim	(40/27/18) - Adjustable wattage		3000/3500/4000K		
		40/27/18W				
		(80/65/50) - Adjustable wattage				
		80/65/50W				

Options

Controls

SMC - Smart Control System

Emergency Backup

(require field installation)

EM700(FHSCP) - 700lm

Accessory

H4 - 4" bracket

H6 - 6" bracket

H8 - 8" bracket

H10 - 10" bracket

SUMMARY

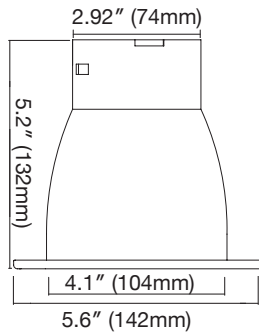
Input Voltage	120-277V
Input Power	14-80W
Power Factor	>0.95
THD (Max.)	20%
Efficacy	>75 LPW
Delivered Lumens	See energy data for details
CRI	> 80
CCT	3500K, 4000K 3000/3500/4000K Selectable
Operating Temp.	-4 ~ +113°F (-20 ~ +45°C)
Rated Life	50,000 hours

ENERGY PERFORMANCE DATA

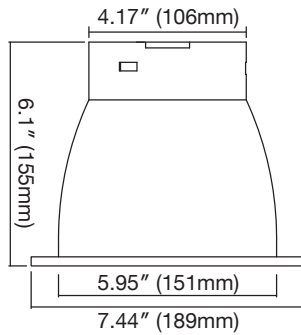
Trim Size	Part No.	Rated Wattage (W)	Delivered Lumens (lm)	Efficacy (lm/W)
4"	LCDL-4(27/20/14S2)/8A-10V	27/20/14	2025/1600/1148	75-82
	LCDL-627/840-10V	27	2025	75
	LCDL-6(40/27/18S2)/8A-10V	40/27/18	3500/2300/1500	83-87
6"	LCDL-6(80/65/50S2)/835-10V	80/65/50	6800/5500/4200	82-85
	LCDL-827/840-10V	27	2025	75
	LCDL-8(40/27/18S2)/8A-10V	40/27/18	3500/2300/1500	83-87
8"	LCDL-8(80/65/50S2)/835-10V	80/65/50	6800/5500/4200	82-85
	LCDL-8(80/65/50S2)/840-10V	80/65/50	6800/5500/4200	82-85
	LCDL-10(40/27/18S2)/8A-10V	40/27/18	3500/2300/1500	83-87
10"	LCDL-10(80/65/50S2)/835-10V	80/65/50	6800/5500/4200	82-85
	LCDL-10(80/65/50S2)/840-10V	80/65/50	6800/5500/4200	82-85

PHYSICAL PARAMETERS

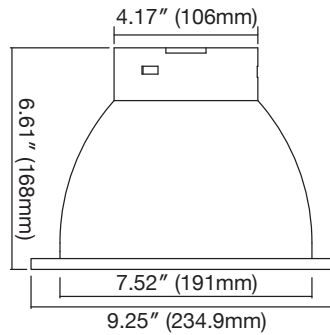
LCDL-4



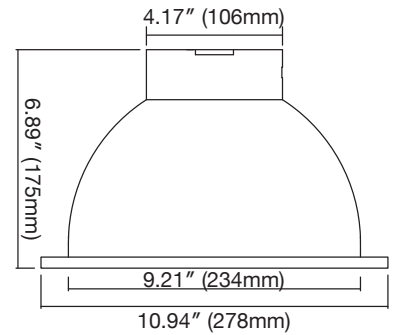
LCDL-6



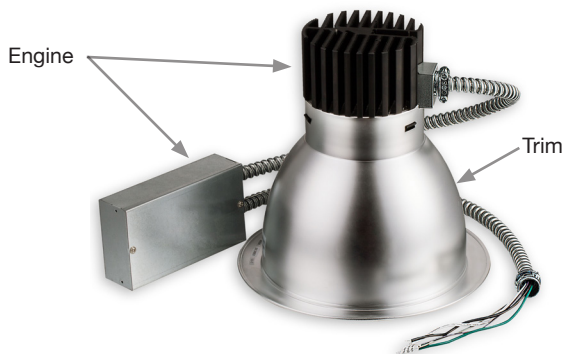
LCDL-8



LCDL-10



Variety of trim sizes and wattages, Engine and Trim required and must be ordered separately.



Bracket adder option

