

# Installation Instructions

## Alphalite Infinity Volumetric Troffer 2x2 and 2x4

Installation guide valid for the following models:

**ILT-CB-22L**  
**ILT-CB-22H**  
**ILT-CB-24L**  
**ILT-CB-24H**  
**ILT-CB-14L**  
**ILT-CB-14H**



### **WARNING**

#### **RISK OF FIRE OR ELECTRIC SHOCK**

The LED Utility Wrap Luminaire must be installed by a qualified electrician in accordance with applicable federal, state, and local laws and codes. Installation requires knowledge of luminaire electrical systems and installer should be familiar with the operation of this product. If not qualified, do not attempt installation; contact a qualified electrician. Manufacturer assumes no responsibility for the improper installation of this luminaire. When installing the fixture, drilling may damage luminaire wiring and electrical parts. Check for wiring and components in enclosure before drilling.

### **WARNING**

To prevent wiring damage or abrasion, do not expose wiring to edges of sheet metal or other sharp objects. When installing this kit, drilling may damage luminaire wiring and electrical parts. Check for wiring and components in enclosure before drilling.

### **WARNING**

#### **RISK OF PERSONAL INJURY**

Wear gloves or proper handling protection to prevent cuts or abrasions when handling and maintaining this product. This equipment may have sharp edges. To reduce the risk of death, personal injury or property damage from fire, electric shock, falling parts, cuts/abrasions, and other hazards read all warning and instructions included with and on the fixture box and all fixture labels.

### **WARNING**

Suitable for Damp locations. Suitable for 9/16" or 15/16" Flat Tee Grid in both Insulated Ceilings and Non-Insulated Ceilings. Access above ceiling required. Do not touch LEDs with hands or tools. Mishandling of LED can lead to product failure.

### **WARNING**

#### **RISK OF PERSONAL INJURY, FIRE OR ELECTRIC SHOCK**

Turn OFF power before installation.

Contact manufacturer with any questions or concerns regarding installation of this luminaire.

# Alphalite

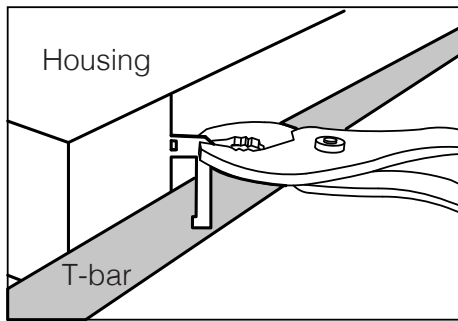
# Installation Instructions

## Infinity Volumetric Troffer

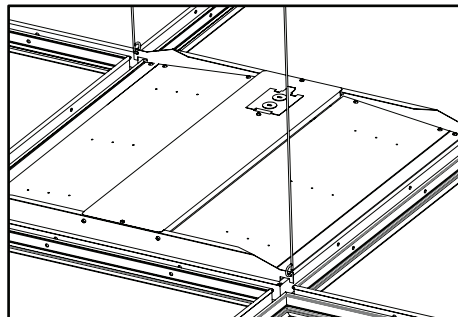
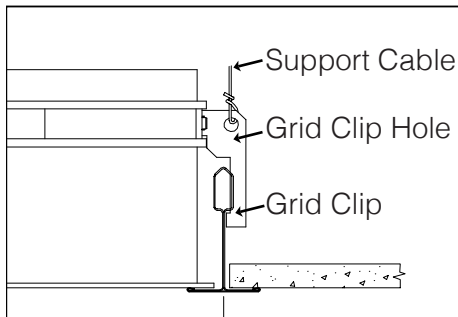
### Recessed Ceiling Mounting Installation Steps:

The fixture is suitable only for INDOOR RECESSED CEILING application. Above ceiling access required. To mount in an insulated or non-insulated ceiling - 9/16" or 15/16" exposed Flat Tee Grid Ceiling follow the steps below.

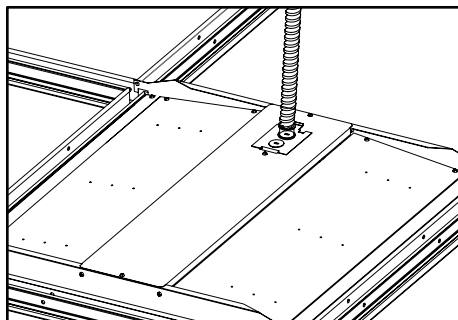
1. Rotate and slide the fixture to fit through the T-Bar and place fixture to sit on T-bar (diagram depend on T-bar type.)
2. Firmly bend the Grid Clips against the T-Bar to secure the fixture to the T-bar grid.



3. Support cable maybe required by local/building Codes. Support the fixture to the building structure by support cable (supplied by others) through the Grid Clip Hole.



4. Make sure that the orientation of the fixture J-box and Access Plate face an appropriate direction in order to make electrical connection.



5. Loosen Access Plate Screw and remove the Access Plate. Knock out appropriate Conduit Knock-outs on the Access Plate to connect conduit. Use appropriate conduit connectors as required by code.

6. Connect wires according to wiring diagram. Push all wires back into the J-box.

### **WARNING**

To prevent wire damage, do not expose wiring to edges of metal or other sharp objects

# Alphalite

# Installation Instructions

## Infinity Volumetric Troffer

7. Replace Access Plate and tighten Access Plate Screw.

8. Attach lens to fixture by lightly squeeze edges of lens.

9. Make sure lens sits properly in fixture by lightly pushing the surface of the lens until edge of lens engages fitting.



### NOTICE

Do not touch LEDs with hands or tools. Mishandling of LED Can lead to product failure.

### WARNING

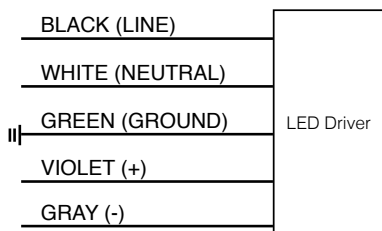
RISK OF FIRE OR ELECTRIC SHOCK

When installing this fixture, drilling may damage luminaire wiring and electrical parts. Check for wiring and components in enclosure before drilling.

### ON-OFF Wiring

Follow the wiring directions as in fig. 1.

1. Connect the black fixture lead to the LINE supply lead.
2. Connect the white fixture lead to the COMMON/NEUTRAL supply lead.
3. Connect the GROUND wire from fixture to supply ground.

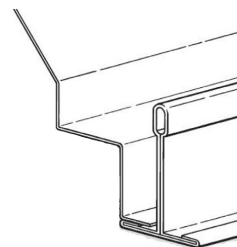
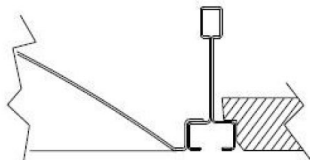
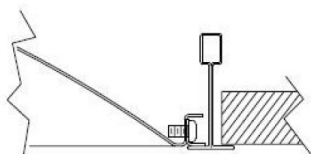
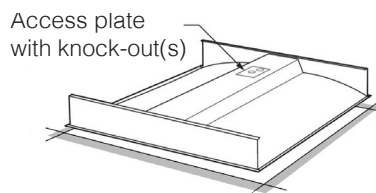
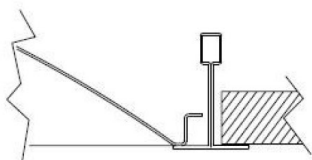
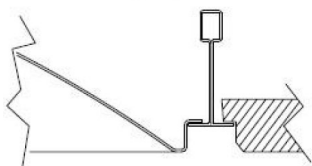


### 0-10V Dimmable Wiring

Follow the wiring directions as in fig. 1.

1. Connect the black fixture lead to the (+) LINE supply lead.
2. Connect the white fixture lead to the (-) COMMON supply lead.
3. Connect the GROUND wire from fixture to supply ground. Do NOT connect the GROUND of the dimming fixture to the output.
4. Connect the purple fixture lead to the (V+) DIM lead.
5. Connect the gray fixture lead to the (V-) DIM lead.

### Mounting Data



### NOTICE

Do not remove LED protection cover from the LED until just before installing the Diffuser. Do not install if total input power is greater than the rated power of the original troffer.

# Alphalite