

Installation Instructions

LED Wall Pack

Installation guide valid for the following models:

WPTA-P335
WPTA-P350
WPTA-P375

WPTA-P3100
WPTA-P3120



WARNING

RISK OF FIRE OR ELECTRIC SHOCK

The WPTA high performance LED Wall Pack must be installed by a qualified electrician in accordance with applicable federal, state, and local laws and codes. Installation requires knowledge of luminaire electrical systems and installer should be familiar with the operation of this product. If not qualified, do not attempt installation; contact a qualified electrician. Manufacturer assumes no responsibility for the improper installation of this luminaire.

To prevent wiring damage or abrasion, do not expose wiring to edges of sheet metal or other sharp objects. When installing this kit, drilling may damage luminaire wiring and electrical parts. Check for wiring and components in enclosure before drilling. Electrical connection should be in a dry area unless adequately sealed. If the external flexible cable or cord of this luminaire is damaged, it shall be exclusively replaced by the manufacturer or his service agent or a similar qualified person in order to avoid a hazard.

CAUTION

RISK OF PERSONAL INJURY

- Wear gloves or proper handling protection to prevent cuts or abrasions when handling and maintaining this product. This equipment may have sharp edges. To reduce the risk of death, personal injury or property damage from fire, electric shock, falling parts, cuts/abrasions, and other hazards read all warning and instructions included with and on the fixture box and all fixture labels.
- This product series emits high light output. DO NOT look directly into the light emitting area. Direct exposure to the light over an extended time period may harm eyes.

WARNING

- Before starting use of the light, please check if the light was damaged during transportation. If any damage shown, please do not install or use it and contact manufacturer.
- Products and components should not be mechanically stressed. Damaged by corrosion will not be honored as a materials defect claim. It is the user's responsibility to provide suitable protection against corrosive agents such as moisture and condensation and other harmful elements.
- Specifications and dimensions subject to change without notice.

WARNING

RISK OF PERSONAL INJURY, FIRE OR ELECTRIC SHOCK

Turn OFF power before installation.

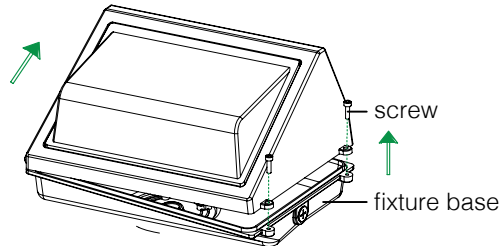
Contact manufacturer with any questions or concerns regarding installation of this luminaire.

Alphalite

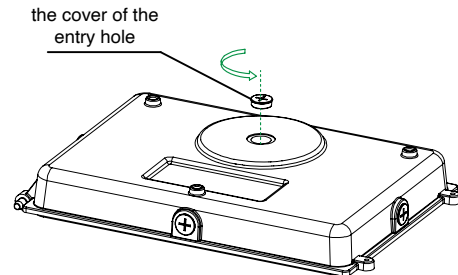
Installation Instructions

LED Wall Pack

1. Open the fixture base by unscrewing the screws that are located on the side of the wall pack.



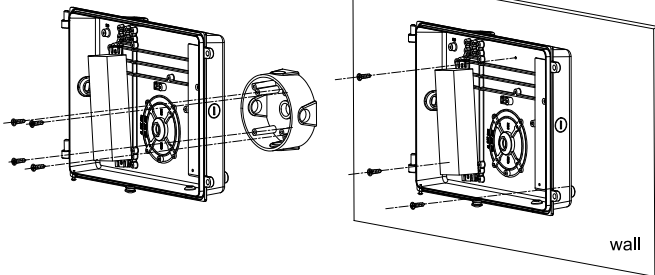
2. Fix the fixture base housing on the wall.



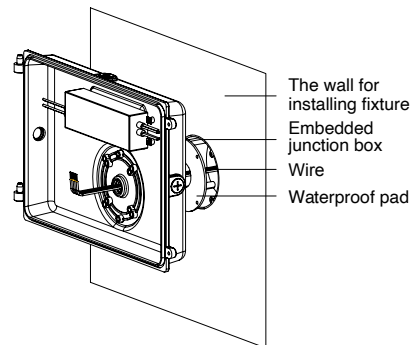
3. According to the embedded terminal box, punch the corresponding mounting hole on the light's mount.

Method A

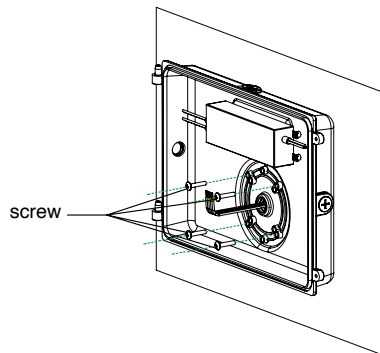
Method B



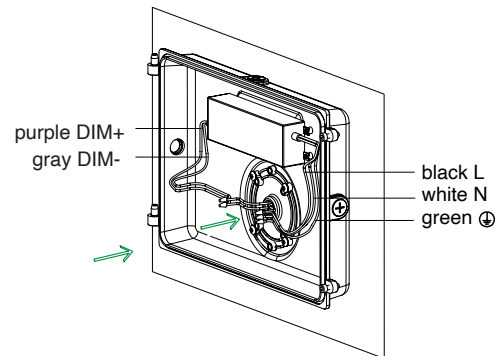
4. Put the input line in the embedded box passes through the waterproof pad and then passes through the lamp base.



5. Use screw to lock the lamp base on the embedded junction box.



6. Connect the input wire and the dimming wire of the light, then put the connected wires into the embedded terminal box.



*Instructions continue in next page.

Alphalite

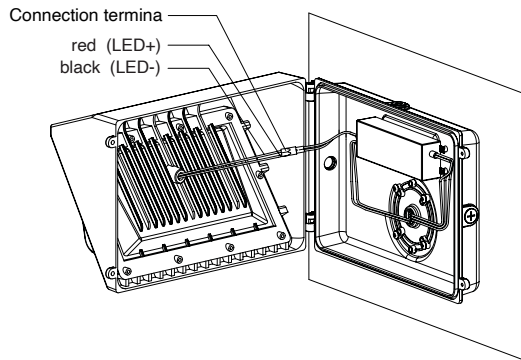
Installation Instructions

LED Wall Pack

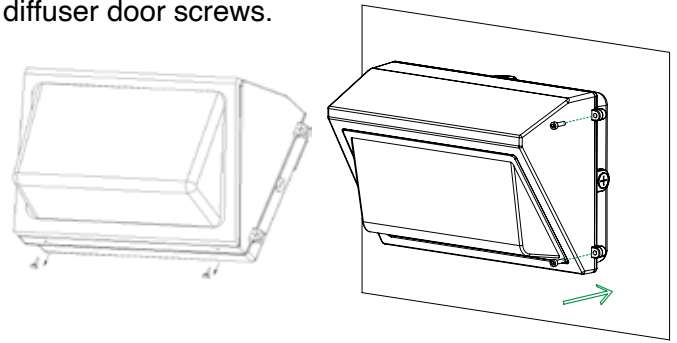
CAUTION

Make sure all wiring access holes are sealed properly for waterproofing purposes.

7. Connect the output wires of driver with the wires of LED board.



8. Remove the 2 leaking plugs from the housing. Close the diffuser door and lock it with the 2 diffuser door screws.

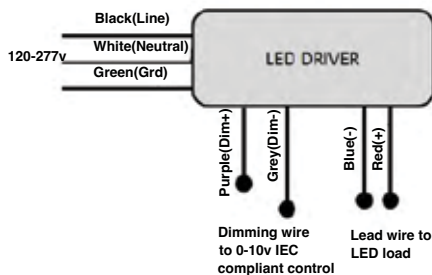


WARNING

RISK OF PERSONAL INJURY

Proper grounding of metal parts is required for safety.

Wiring Diagram:



0-10V Dimmable Wiring

Follow the wiring directions as in fig. 1.

1. Connect the black fixture lead to the (+) LINE supply lead.
2. Connect the white fixture lead to the (-) COMMON supply lead.
3. Connect the GROUND wire from fixture to supply ground. Do NOT connect the GROUND of the dimming fixture to the output.
4. Connect the purple fixture lead to the (V+) DIM lead.
5. Connect the gray fixture lead to the (V-) DIM lead.

ON-OFF Wiring

Follow the wiring directions as in fig. 1.

1. Connect the black fixture lead to the LINE supply lead.
2. Connect the white fixture lead to the COMMON/NEUTRAL supply lead.
3. Connect the GROUND wire from fixture to supply ground.

Alphalite