

Installation Instructions

LED Wall Pack

Installation guide valid for the following models:

WPA-13
WPA-18
WPA-22

WPA-30
WPA-42



WARNING

RISK OF ELECTRIC SHOCK.

Disconnect power at fuse or circuit breaker before installing or servicing.

WARNING

RISK OF FIRE OR ELECTRIC SHOCK.

The LED Wall Pack must be installed by a qualified electrician in accordance with applicable federal, state, and local laws and codes. Installation requires knowledge of luminaire electrical systems and installer should be familiar with the operation of this product. If not qualified, do not attempt installation; contact a qualified electrician. Manufacturer assumes no responsibility for the improper installation of this luminaire.

WARNING

To prevent wiring damage or abrasion, do not expose wiring to edges of sheet metal or other sharp objects. When installing this kit, drilling may damage luminaire wiring and electrical parts. Check for wiring and components in enclosure before drilling.

NOTE

Only those open holes indicated in the photographs and/or drawings may be made or altered as a result of kit installation. DO not leave any other open holes in an enclosure of wiring or electrical components.

NOTE

To prevent wiring damage or abrasion, do not expose wiring to edges of sheet metal or any shape objects.

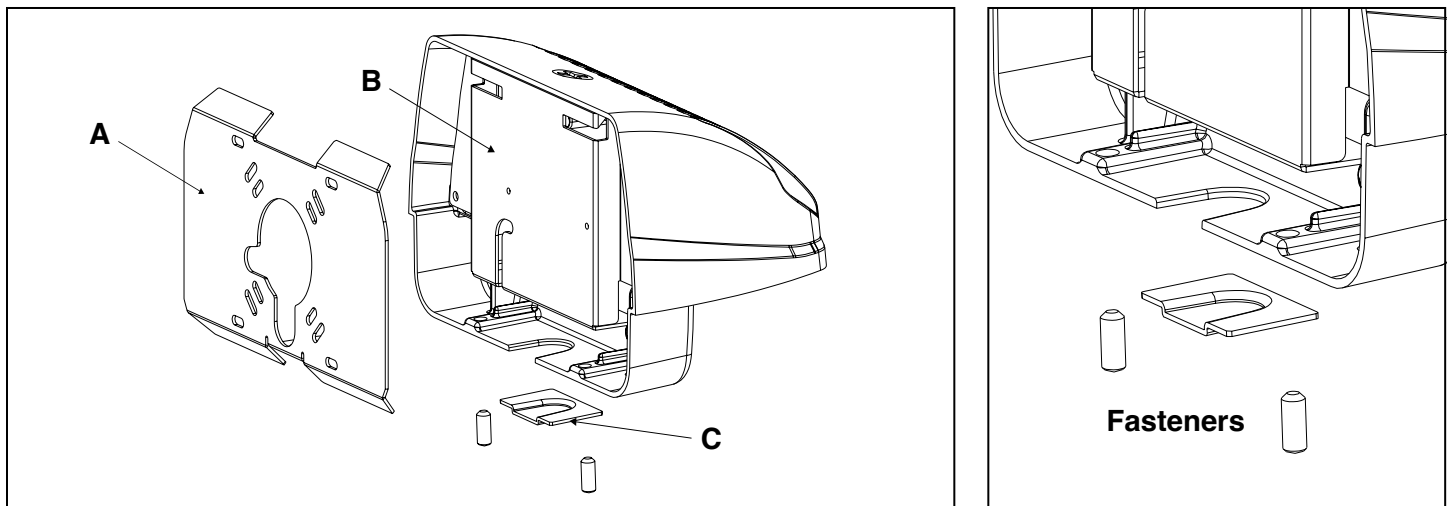
Contact manufacturer with any questions or concerns regarding installation of this luminaire.

Alphalite

Installation Instructions

LED Wall Pack

1. Fasten the **template A** to the wall using appropriate fasteners.
2. Mount the fixture to **template A** through **part B**.
3. Fasten the 2pcs **fasteners** through the holes aside, and make sure they firmly touch the **template A**.



Wiring Guide

1. Mount the junction box to the wall, wire connections must be within the junction box (see fig. 1).
2. Knock out opening (C) in bottom casting, for conduit mount (see fig. 2).

Fig. 1

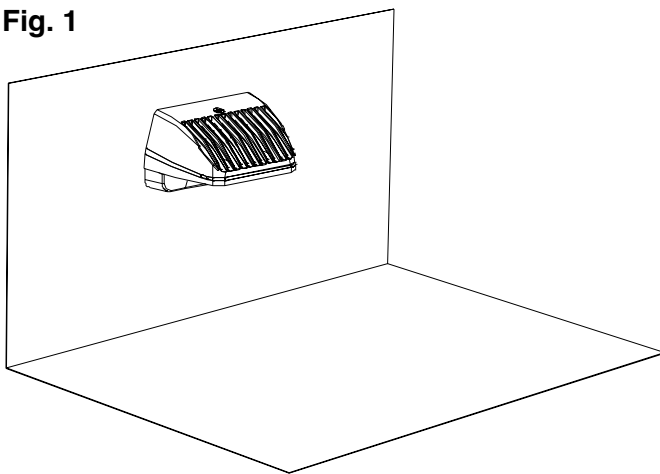


Fig. 2

