

Installation Instructions

High Performance LED Slim Area Light

Installation guide valid for the following models:

ALBE-75
ALBE-150
ALBE-220

ALBE-300
ALBE-400
ALBE-480



WARNING

RISK OF FIRE OR ELECTRIC SHOCK

The ALBE high performance LED Slim Area Light must be installed by a qualified electrician in accordance with applicable federal, state, and local laws and codes. Installation requires knowledge of luminaire electrical systems and installer should be familiar with the operation of this product. If not qualified, do not attempt installation; contact a qualified electrician. Manufacturer assumes no responsibility for the improper installation of this luminaire.

To prevent wiring damage or abrasion, do not expose wiring to edges of sheet metal or other sharp objects. When installing this kit, drilling may damage luminaire wiring and electrical parts. Check for wiring and components in enclosure before drilling. Electrical connection should be in a dry area unless adequately sealed. If the external flexible cable or cord of this luminaire is damaged, it shall be exclusively replaced by the manufacturer or his service agent or a similar qualified person in order to avoid a hazard.

CAUTION

RISK OF PERSONAL INJURY

- Wear gloves or proper handling protection to prevent cuts or abrasions when handling and maintaining this product. This equipment may have sharp edges. To reduce the risk of death, personal injury or property damage from fire, electric shock, falling parts, cuts/abrasions, and other hazards read all warning and instructions included with and on the fixture box and all fixture labels.
- This product series emits high light output. DO NOT look directly into the light emitting area. Direct exposure to the light over an extended time period may harm eyes.

WARNING

- Before starting use of the light, please check if the light was damaged during transportation. If any damage shown, please do not install or use it and contact manufacturer.
- Products and components should not be mechanically stressed. Damaged by corrosion will not be honored as a materials defect claim. It is the user's responsibility to provide suitable protection against corrosive agents such as moisture and condensation and other harmful elements.
- Specifications and dimensions subject to change without notice.

WARNING

RISK OF PERSONAL INJURY, FIRE OR ELECTRIC SHOCK

Turn OFF power before installation.

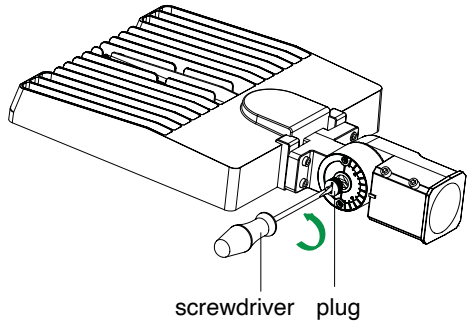
Contact manufacturer with any questions or concerns regarding installation of this luminaire.

Alphalite

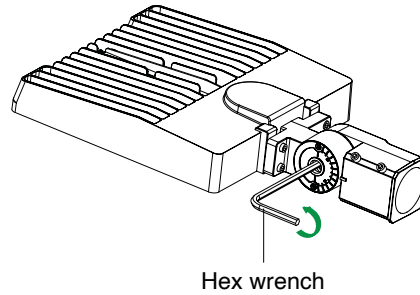
ALBE Series LED Area Light

Adjustable Slip-fitter (ASF) - suitable for max. pole size 2 3/8"

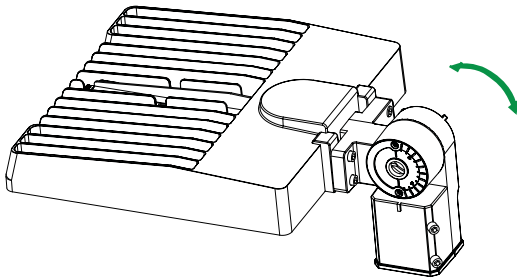
1. Unscrew and remove the plug by screwdriver.



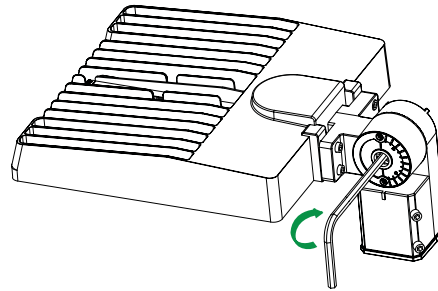
2. Loosen the screw used to fix the upper and the lower mount in rotating shaft by Hex-wrench.



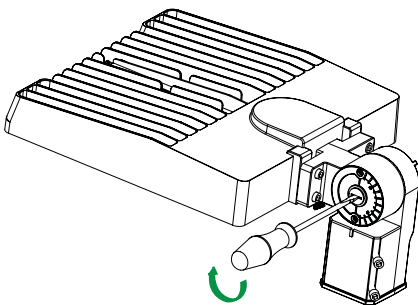
3. Swivel the mount into the right angle.



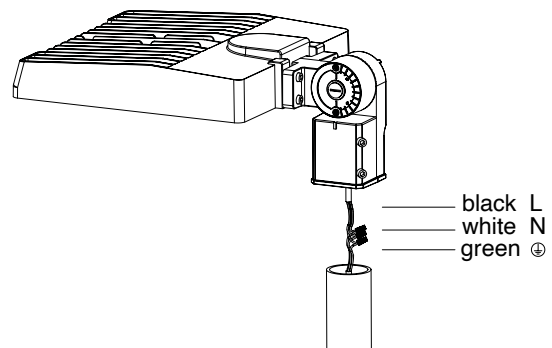
4. Screw down the upper and the lower mount by Hex-wrench.



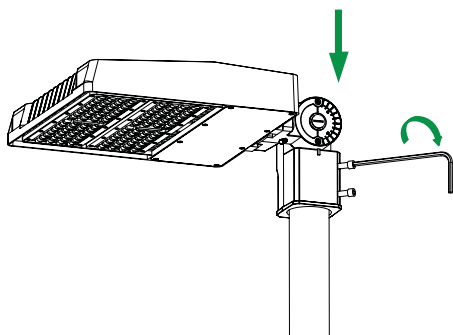
5. Screw the plug by screwdriver.



6. Connect wires.



7. Connect the mount with the light pole, and screw down by Hex-wrench. Installation completed.



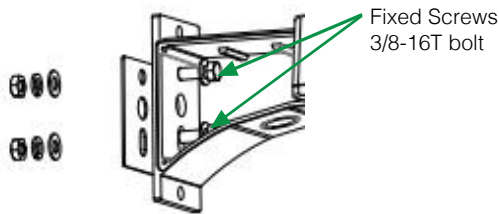
Alphalite

ALBE Series LED Area Light

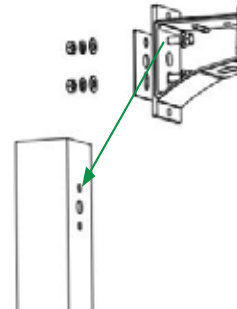
Round Pole Mount (RPM) - suitable for 4" to 6" pole and

Straight Pole Mount (SPM) - suitable for 3"x3" or larger pole

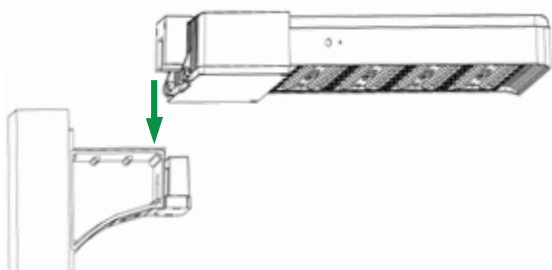
1. Loosen the (2) Fixed Screws (3/8-16T bolt with flat washers) from the mounting.



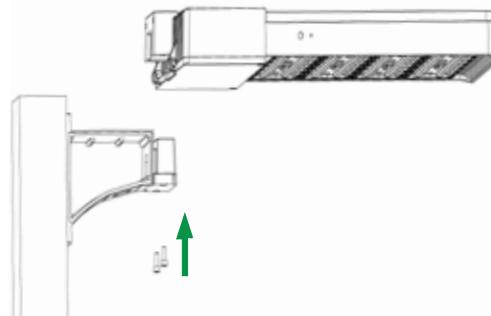
2. Align the (2) Fixed Screw holes from the mounting to the pole, tighten the Fixed Screws.



3. Slide fixture in the Round/Straight Pole Mount. Connect the L/N/GND wires through the wire-hole.

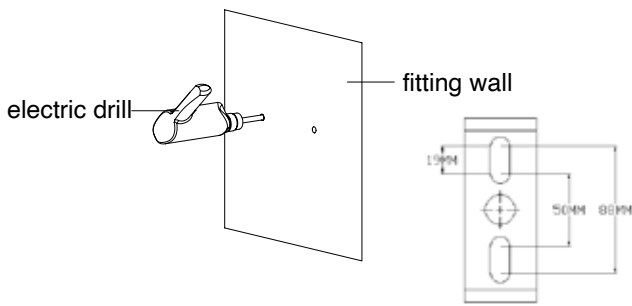


4. Tighten (2) Fixed Screws of mounting arm.

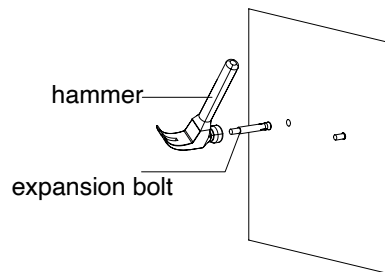


Adjustable Trunion U-bracket (AUB)

1. In line with the distance between the screw holes of the AUB bracket. Drill the mounting holes on the wall by electric drill.



2. Hammer expansion bolts into the mounting holes, and the threads of the expansion bolts need to be exposed.

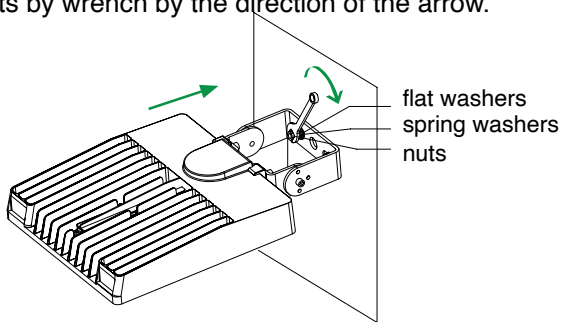


*Instructions continue in next page.

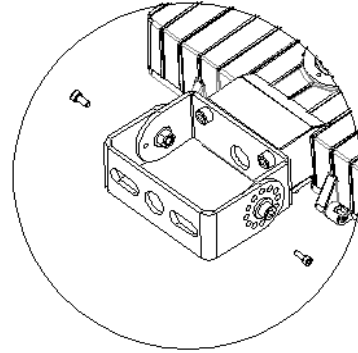
Alphalite

Adjustable Trunion U-bracket (AUB)

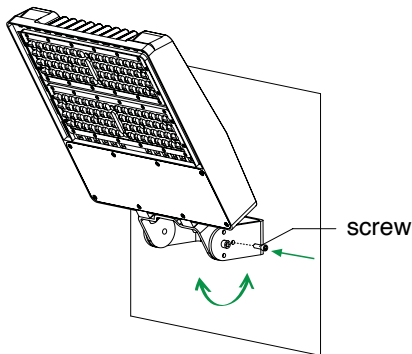
3. Push the ALBE luminaire by the direction of the arrow until its mount sticks to the wall. Flat washers, spring washers and nuts are respectively fixed in sequence on the expansion bolts, and tighten the nuts by wrench by the direction of the arrow.



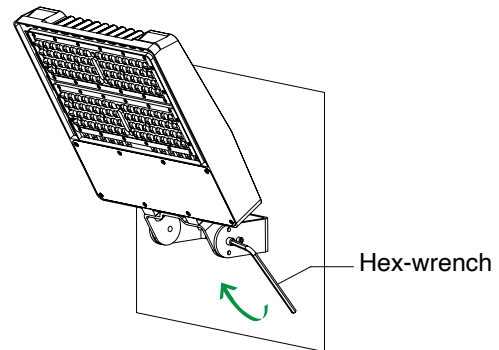
4. Loosen (2) M8 trunion bolts and (2) M5 positioning screws. Adjust the trunion to suitable position.



5. Swivel the luminaire until (2) M5 positioning screws are in one of the positioning holes and tighten the screws.



6. Tighten the (2) M8 trunion bolts by Hex-wrench by the direction of the arrow. Installation completed.

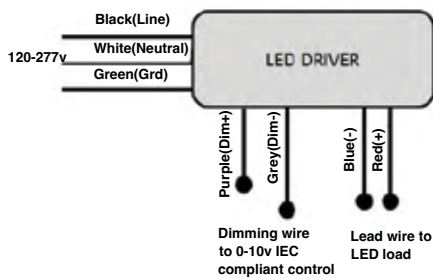


WARNING

RISK OF PERSONAL INJURY

Proper grounding of metal parts is required for safety.

Wiring Diagram:



0-10V Dimmable Wiring

Follow the wiring directions as in fig. 1.

1. Connect the black fixture lead to the (+) LINE supply lead.
2. Connect the white fixture lead to the (-) COMMON supply lead.
3. Connect the GROUND wire from fixture to supply ground. Do NOT connect the GROUND of the dimming fixture to the output.
4. Connect the purple fixture lead to the (V+) DIM lead.
5. Connect the gray fixture lead to the (V-) DIM lead.

ON-OFF Wiring

Follow the wiring directions as in fig. 1.

1. Connect the black fixture lead to the LINE supply lead.
2. Connect the white fixture lead to the COMMON/NEUTRAL supply lead.
3. Connect the GROUND wire from fixture to supply ground.

Alphalite