

Installation Instructions

Alphalite Infinity Troffer Retrofit Kit 1x4

Installation guide valid for the following models:

IRT-14



WARNING

RISK OF FIRE OR ELECTRIC SHOCK

The Infinity LED Retrofit Kit must be installed by a qualified electrician in accordance with applicable federal, state, and local laws and codes. Installation requires knowledge of luminaire electrical systems and installer should be familiar with the operation of this product. If not qualified, do not attempt installation; contact a qualified electrician. Manufacturer assumes no responsibility for the improper installation of this luminaire.

WARNING

RISK OF FIRE OR ELECTRIC SHOCK

To prevent wiring damage or abrasion, do not expose wiring to edges of sheet metal or other sharp objects.

WARNING

RISK OF PERSONAL INJURY

Wear gloves or proper handling protection to prevent cuts or abrasions when handling and maintaining this product. This equipment may have sharp edges.

WARNING

RISK OF FIRE OR ELECTRIC SHOCK

When installing this kit, drilling may damage luminaire wiring and electrical parts. Check for wiring and components in enclosure before drilling.

Contact manufacturer with any questions or concerns regarding installation of this luminaire.

Install the Alphalite Infinity Retrofit Kit in existing fluorescent fixtures only with a minimum depth of 3".

Alphalite

Installation Instructions

Infinity Troffer Retrofit Kit

The IRT 1x4 retrofit kit has been tested fully and properly mounted in the following housing models:
Lithonia 2GT8 2 17 A12 MVOL GEB10IS
Lithonia 2GT8 2 32 A12 MVOL GEB10IS
Lithonia GT8 lensed 1X4

WARNING

RISK OF PERSONAL INJURY, FIRE OR ELECTRIC SHOCK
Turn OFF power before installation.

NOTICE

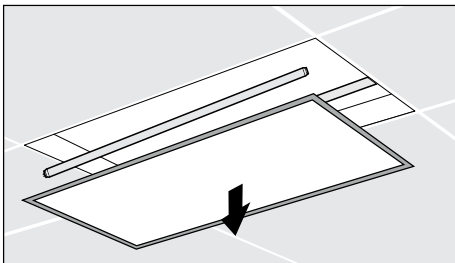
Do not touch LEDs with hands or tools. Mishandling of LED can lead to product failure.

WARNING

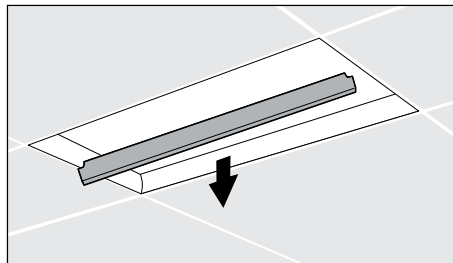
RISK OF FIRE OR ELECTRIC SHOCK

When installing this kit, drilling may damage luminaire wiring and electrical parts. Check for wiring and components in enclosure before drilling.

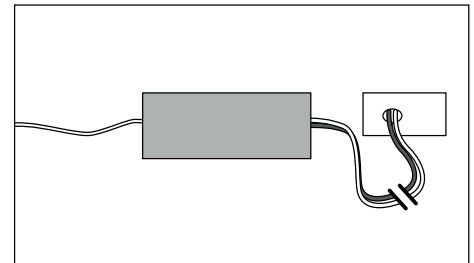
Remove Existing Fixture Contents



1. Turn Power OFF, remove original lens or cover.
2. Take out original lamps.



3. Remove ballast cover.
If existing troffer height is limited, remove ballast.

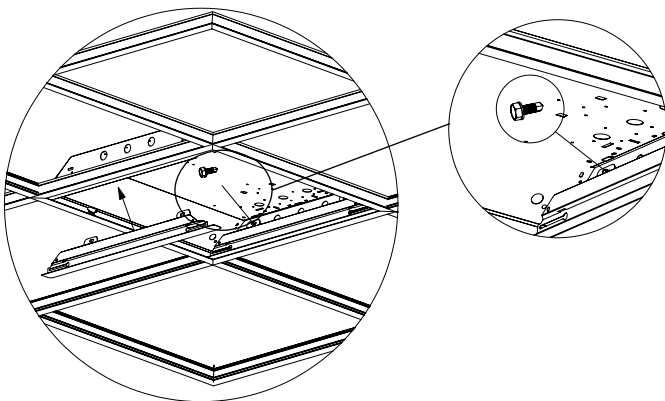


4. Disconnect host fixture ballast from line voltage mains

NOTICE

Follow all federal and local regulations when disposing of lamps and removed components.

Installation of Side Panels (A)

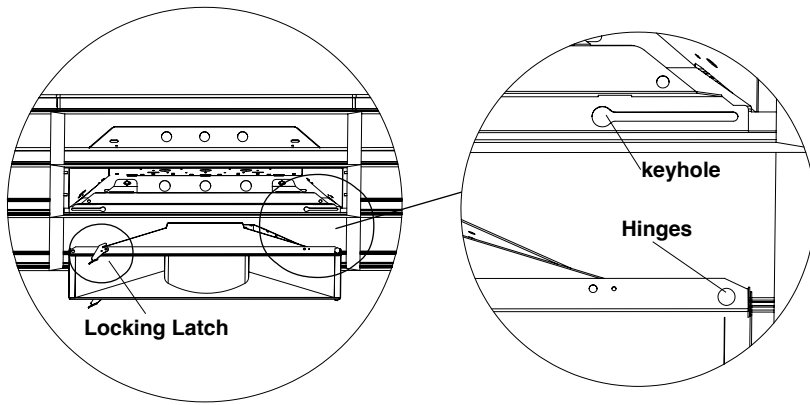


5. Install side panels by gently lifting recessed fixture and placing panel brackets between the fixture and the ceiling T-grid. Secure the LED panel brackets to the fixture using the provided #8x1/2" self-drilling screws.

There are two hole sets to allow for clearing fixture features that may obstruct the screws.

Alphalite

Installation of LED Gear Tray Panel



6. Locate the swing door keyhole located on side panel brackets. Install the LED gear tray panel by swinging door hinges into the side panel bracket keyholes.

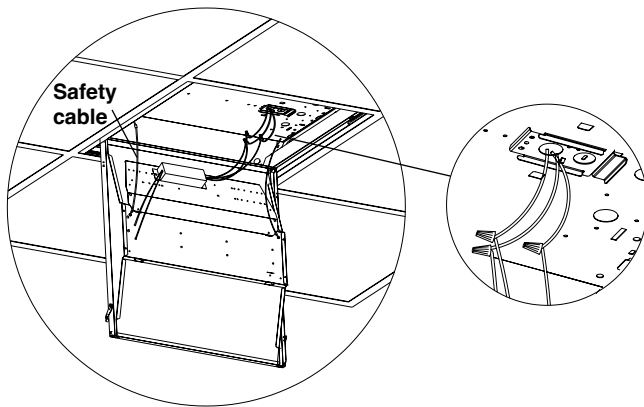
WARNING

RISK OF FIRE OR ELECTRIC SHOCK

Make sure electrical wiring is not clamped between panels when installing Gear Tray and other panels.



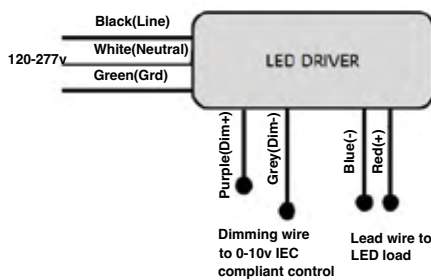
Power (Mains) Connection



7. Attach safety cable on the side panels and LED gear tray panel.

8. Connect AC input mains to input leads of driver located on the back of LED Gear Tray Panel. Make sure to employ connectors in accordance with applicable federal, state, and local laws, regulations, and codes.

Wiring Diagram:



0-10V Dimmable Wiring

Follow the wiring directions as in fig. 1.

1. Connect the black fixture lead to the (+) LINE supply lead.
2. Connect the white fixture lead to the (-) COMMON supply lead.
3. Connect the GROUND wire from fixture to supply ground. Do NOT connect the GROUND of the dimming fixture to the output.
4. Connect the purple fixture lead to the (V+) DIM lead.
5. Connect the gray fixture lead to the (V-) DIM lead.

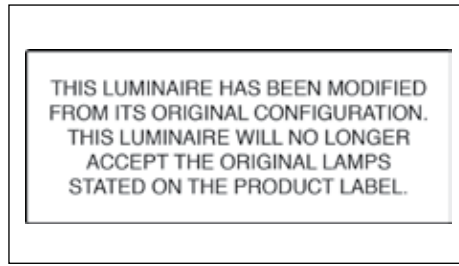
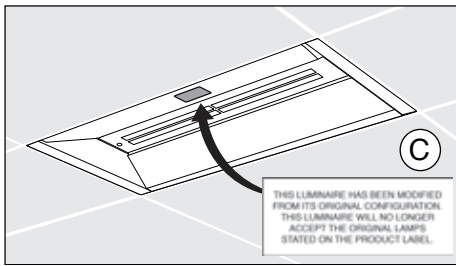
ON-OFF Wiring

Follow the wiring directions as in fig. 1.

1. Connect the black fixture lead to the LINE supply lead.
2. Connect the white fixture lead to the COMMON/NEUTRAL supply lead.
3. Connect the GROUND wire from fixture to supply ground.

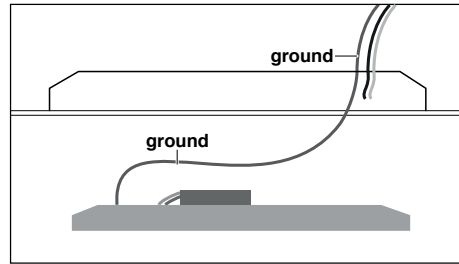
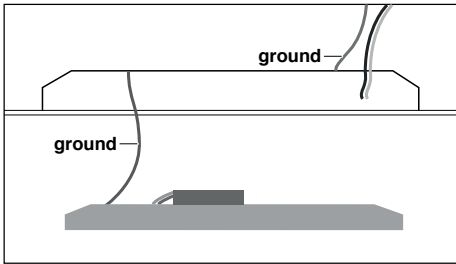
Alphalite

Installation of Troffer Label



9. Stick Troffer Label (C) to the inside of the original troffer.

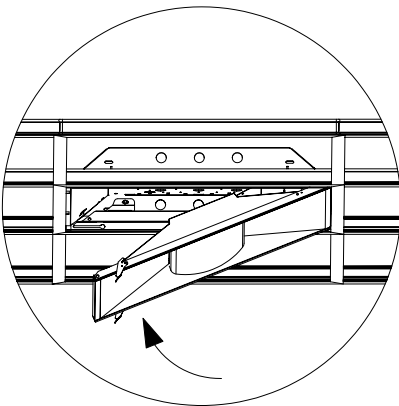
Equipment Grounding



10. Screw ground cable from LED Gear Tray Panel (B) to original troffer housing if host fixture grounding is made through fixture.

OR Connect ground cable from LED Gear Tray Panel (B) to incoming ground lead from conduit.

Installation of LED Gear Tray Panel



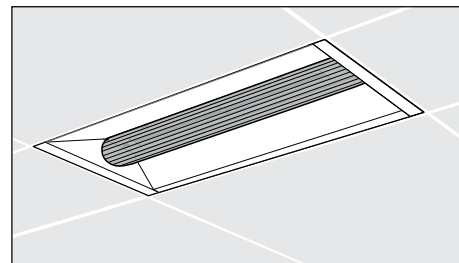
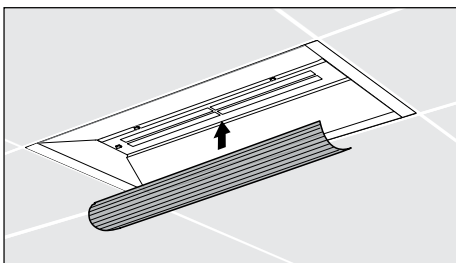
11. Secure swing door by locking latches found on each end of the assembled door frame.

WARNING

RISK OF FIRE OR ELECTRIC SHOCK

Make sure electrical wiring is not clamped between panels when installing Gear Tray and other panels.

Installation of Diffuser Lens



12. Slide Diffuser lip under the tabs of one side and push the Diffuser upwards to cover the LED. Squeeze the other side of the Diffuser and insert into the tabs of the other side

Alphalite