

# Installation Instructions

## IP Rated LED High Bay

Installation guide valid for the following models:

**RHX-100/8XX**

**RHX-150/8XX**

**RHX-200/8XX**

**RHX-240/8XX**

\*XX represents the CCT.

40 = 4000K, 50 = 5000K, 57 = 5700K



### **WARNING**

#### **RISK OF FIRE OR ELECTRIC SHOCK**

The RHX IP Rated LED High Bay must be installed by a qualified electrician in accordance with applicable federal, state, and local laws and codes. Installation requires knowledge of luminaire electrical systems and installer should be familiar with the operation of this product. If not qualified, do not attempt installation; contact a qualified electrician. Manufacturer assumes no responsibility for the improper installation of this luminaire. When installing the fixture, drilling may damage luminaire wiring and electrical parts. Check for wiring and components in enclosure before drilling.

### **WARNING**

To prevent wiring damage or abrasion, do not expose wiring to edges of sheet metal or other sharp objects. When installing this kit, drilling may damage luminaire wiring and electrical parts. Check for wiring and components in enclosure before drilling.

### **CAUTION**

#### **RISK OF PERSONAL INJURY**

- Wear gloves or proper handling protection to prevent cuts or abrasions when handling and maintaining this product. This equipment may have sharp edges. To reduce the risk of death, personal injury or property damage from fire, electric shock, falling parts, cuts/abrasions, and other hazards read all warning and instructions included with and on the fixture box and all fixture labels.
- Avoid direct eye exposure to the light source while it is on.

### **WARNING**

#### **RISK OF PERSONAL INJURY, FIRE OR ELECTRIC SHOCK**

Turn OFF power before installation.

### **NOTICE**

- Green ground screw provided in proper location. Do not relocate.
- Minimum 90° supply conductors.
- Specifications and dimensions subject to change without notice.
- IP 65 rated.

Contact manufacturer with any questions or concerns regarding installation of this luminaire.

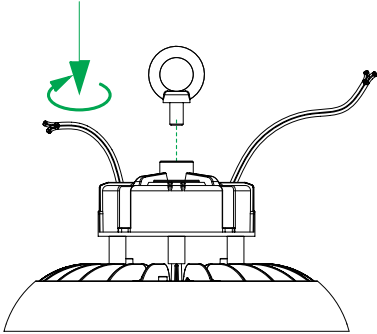
# Alphalite

# Installation Instructions

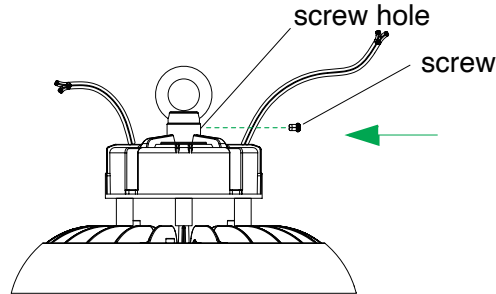
## Slim Linear LED High Bay

### Hook mounting

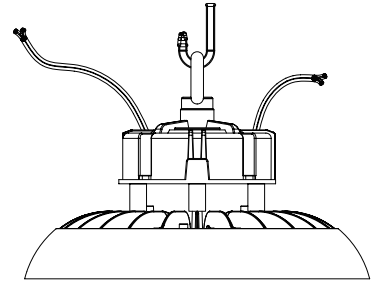
1. Lock the ring



2. Tighten the screw.  
(This step can be omitted if there is no screw hole.)

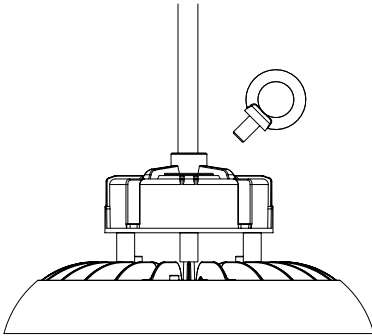


3. Hang the light.



### Pendant mounting

1. Remove the ring for pendant mount.

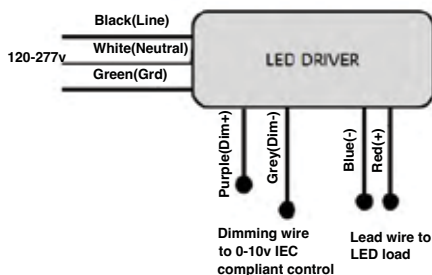


### **WARNING**

RISK OF PERSONAL INJURY

Proper grounding of metal parts is required for safety.

### **Wiring Diagram:**



### **0-10V Dimmable Wiring**

Follow the wiring directions as in fig. 1.

1. Connect the black fixture lead to the (+) LINE supply lead.
2. Connect the white fixture lead to the (-) COMMON supply lead.
3. Connect the GROUND wire from fixture to supply ground. Do NOT connect the GROUND of the dimming fixture to the output.
4. Connect the purple fixture lead to the (V+) DIM lead.
5. Connect the gray fixture lead to the (V-) DIM lead.

\*For compatible dimmer information please contact manufacturer.

### **ON-OFF Wiring**

Follow the wiring directions as in fig. 1.

1. Connect the black fixture lead to the LINE supply lead.
2. Connect the white fixture lead to the COMMON/NEUTRAL supply lead.
3. Connect the GROUND wire from fixture to supply ground.

# Alphalite