

Installation Instructions

LED Linear Retrofit Kit 4' and 8'

Installation guide valid for the following models:

RXL-4

RXL-8



WARNING

RISK OF FIRE OR ELECTRIC SHOCK

The RXL LED Linear Retrofit Kit must be installed by a qualified electrician in accordance with applicable federal, state, and local laws and codes. Installation requires knowledge of luminaires electrical systems and installer should be familiar with the operation of this product. If not qualified, do not attempt installation; contact a qualified electrician. Manufacturer assumes no responsibility for the improper installation of this luminaire.

WARNING

RISK OF FIRE OR ELECTRIC SHOCK.

Install this kit only in the luminaires that have the construction features and dimensions shown in the photographs and/or drawings and where the input rating of the retrofit kit does not exceed the input rating of the luminaire.

WARNING

RISK OF FIRE OR ELECTRIC SHOCK

To prevent wiring damage or abrasion, do not expose wiring to edges of sheet metal or other sharp objects.

WARNING

RISK OF PERSONAL INJURY

Wear gloves or proper handling protection to prevent cuts or abrasions when handling and maintaining this product. This equipment may have sharp edges.

WARNING

RISK OF FIRE OR ELECTRIC SHOCK

When installing this kit, drilling may damage luminaire wiring and electrical parts. Check for wiring and components in enclosure before drilling.

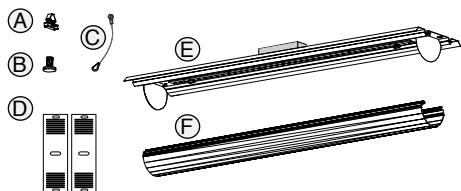
Contact manufacturer with any questions or concerns regarding installation of this luminaire.

Alphalite

Installation Instructions

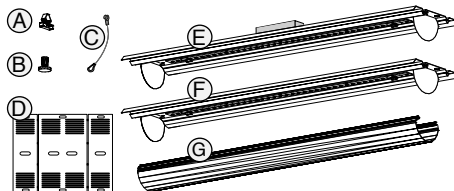
LED Linear Retrofit Kit

RXL-4 Kit Contents:



- A. (2) Quarter Turn Fasteners
- B. (4) Tek Screws
- C. (2) Lanyards
- D. Bracket
- E. LED Gear Tray with driver
- F. Diffuser Lens

RXL-8 Kit Contents:

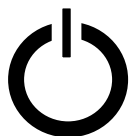


- A. (4) Quarter Turn Fasteners
- B. (6) Tek Screws
- C. (4) Lanyards
- D. Bracket
- E. LED Gear Tray with driver
- F. LED Gear Tray
- G. (2) Diffuser Lens

Tools Required:

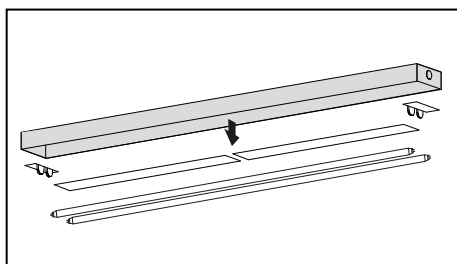
- Drill
- Pliers
- Cutters
- Gloves
- Screw Driver

Remove Existing Fixture Contents



WARNING

RISK OF PERSONAL INJURY, FIRE OR ELECTRIC SHOCK
Turn OFF power before installation.



1. Turn Power OFF.

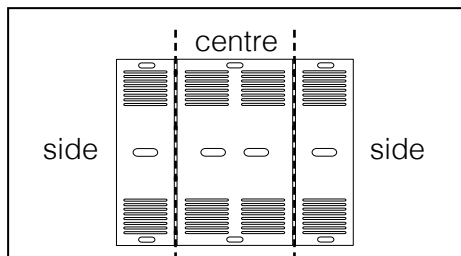
2. Remove original lamps, ballast cover, and sockets.

WARNING

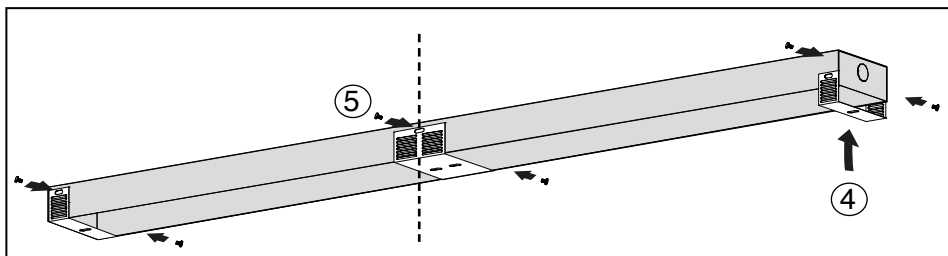
RISK OF FIRE OR ELECTRIC SHOCK

Luminaire wiring and electrical parts may be damaged when drilling for installation of LED retrofit kit. Check for enclosed wiring and components.

Installation of Brackets



3. Break **bracket** into three pieces. (Side bracket for RXL-4 and 8. Centre bracket for RXL-8 only)

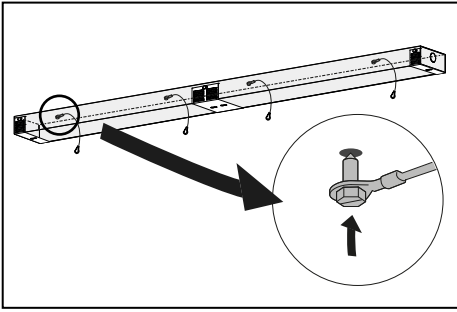


4. Bend **brackets** to fit the original fixture housing. For RXL-8, make sure **centre bracket** aligns with the centre of the strip housing length.

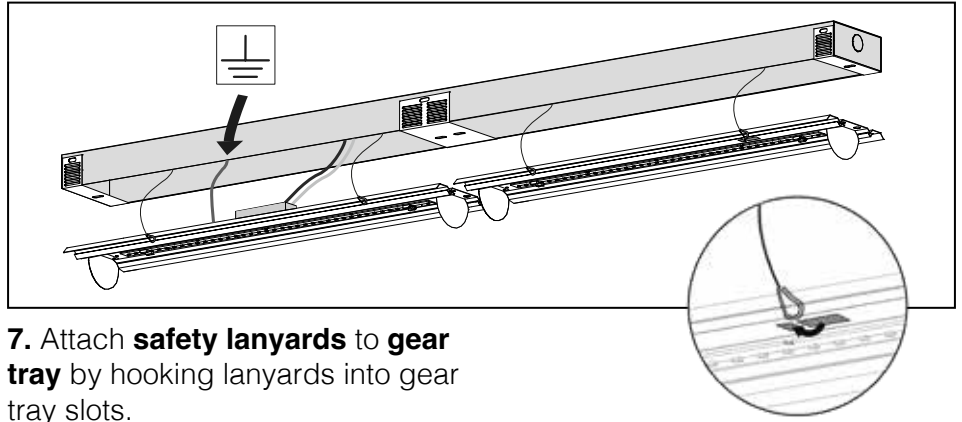
5. **Tek screw** brackets into the side of the existing strip fixture housing.

Alphalite

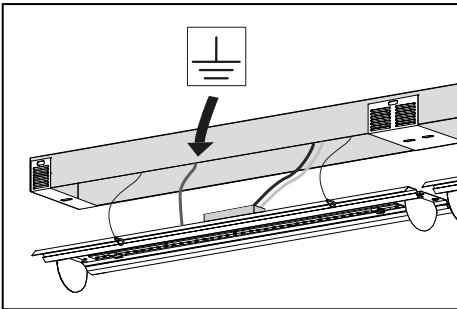
Installation of LED Gear Tray Panel



6. Fasten **safety lanyards** to fixture by using provided **tek screws** and washers.



7. Attach **safety lanyards** to **gear tray** by hooking lanyards into gear tray slots.



8. Connect ground cable to incoming ground lead from conduit.

WARNING

RISK OF PERSONAL INJURY
Proper grounding of metal parts is required for safety.



DO NOT TOUCH LED

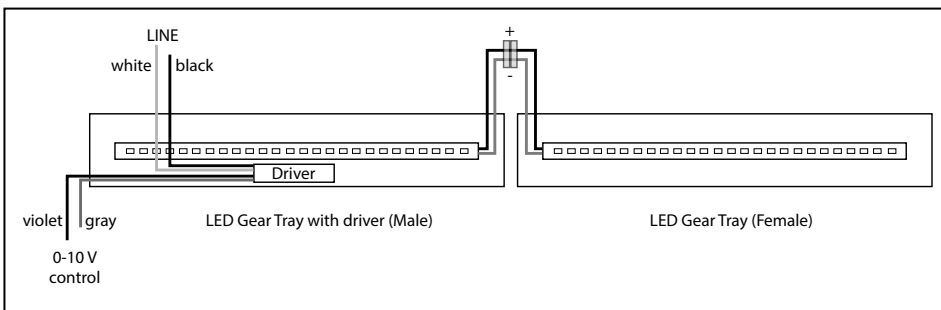
WARNING

RISK OF FIRE OR ELECTRIC SHOCK

Make sure electrical wiring is not clamped between panels when installing Gear Tray and other panels.

WARNING

To prevent wiring damage or abrasion, do not expose wiring to edges of sheet metal or other sharp objects.



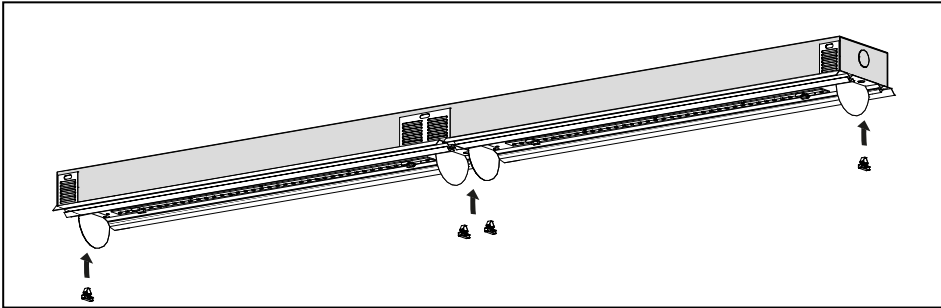
9. For RXL-8, wire the **driver-less gear tray** with the **driver-on-board gear tray** by plugging the (2) connectors (male and female) together.

10. Connect AC input mains to input leads of **driver** located on the back of **LED gear tray**. Make sure to employ connectors in accordance with applicable federal, state, and local laws, regulations, and codes.

Alphalite

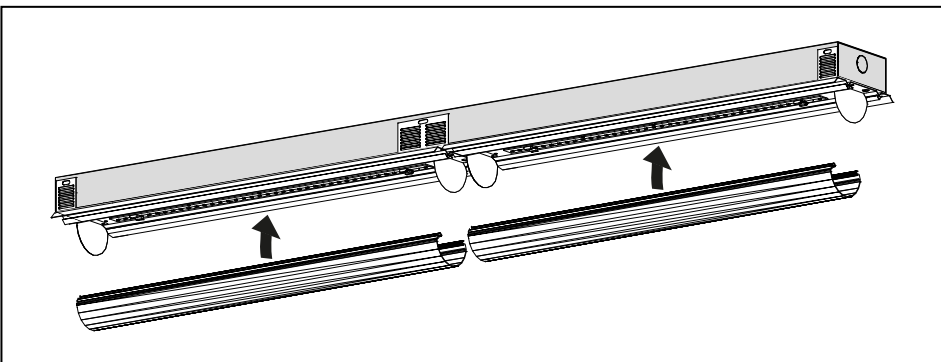
WARNING

Only those open holes indicated in the photographs and/or drawings may be made or altered as a result of kit installation. Do not leave any other open holes in an enclosure of wiring or electrical components.



11. Secure the **LED gear tray** to the **brackets** by inserting the **quarter turn fasteners** into the holes and turning 90 degrees. Use pliers if needed.

Installation of Diffuser Lens (E)



9. Start on one end and slide **lens** into lip of **end cap**. Squeeze **lens** until the lip is under the tabs of the **gear tray** (it might be necessary to gently push the end cap outwards for the lens to slide into.) To ensure lens is locked in place, gently press the face of the lens.

