



PROJECT NAME

CATALOG NO.

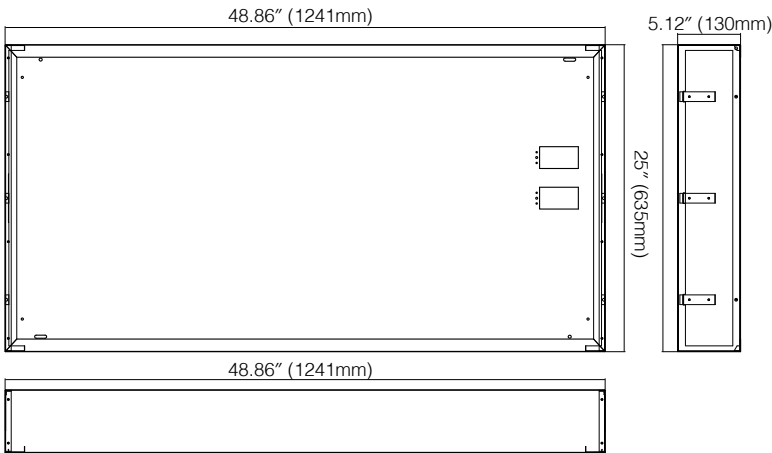
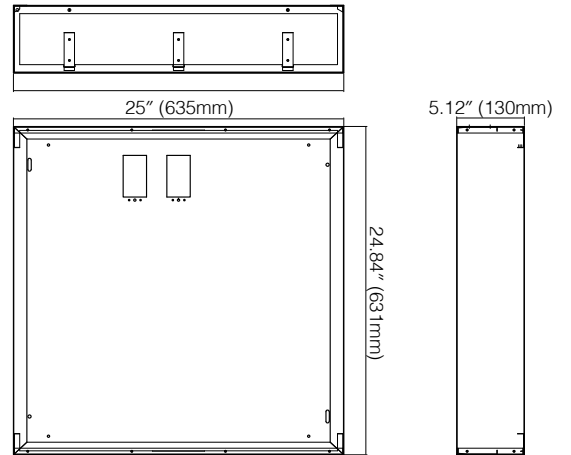
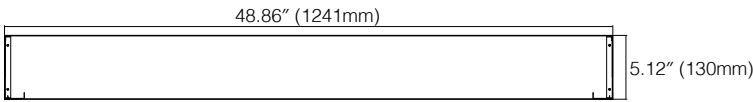
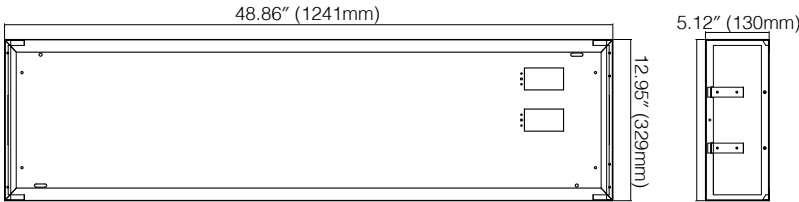
TYPE

DATE

NOTE

SURFACE MOUNT KIT

ILT-SMK
Surface Mount Kit



ORDERING INFORMATION

Available with the following Alphalite products:

ILT-CB Series - LED Volumetric troffer with Center Diffuser

ILT-DB Series - LED Volumetric troffer with Dual Diffuser



Installation Instructions

Surface Mount Kit

Installation guide valid for the following models:

ILT-SMK-22

ILT-SMK-24

ILT-SMK-14

WARNING

RISK OF ELECTRIC SHOCK.

Disconnect power at fuse or circuit breaker before installing or servicing.

WARNING

RISK OF FIRE OR ELECTRIC SHOCK.

The Surface Mount Kit must be installed by a qualified electrician in accordance with applicable federal, state, and local laws and codes. Installation requires knowledge of luminaire electrical systems and installer should be familiar with the operation of this product. If not qualified, do not attempt installation; contact a qualified electrician. Manufacturer assumes no responsibility for the improper installation of this luminaire.

WARNING

To prevent wiring damage or abrasion, do not expose wiring to edges of sheet metal or other sharp objects. When installing this kit, drilling may damage luminaire wiring and electrical parts. Check for wiring and components in enclosure before drilling.

NOTE

Only those open holes indicated in the photographs and/or drawings may be made or altered as a result of kit installation. DO not leave any other open holes in an enclosure of wiring or electrical components.

NOTE

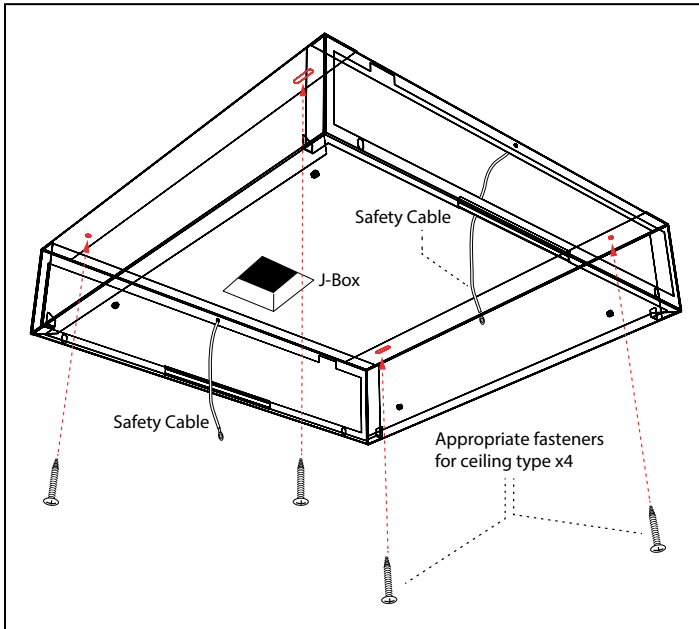
To prevent wiring damage or abrasion, do not expose wiring to edges of sheet metal or any shape objects.

Contact manufacturer with any questions or concerns regarding installation of this luminaire.

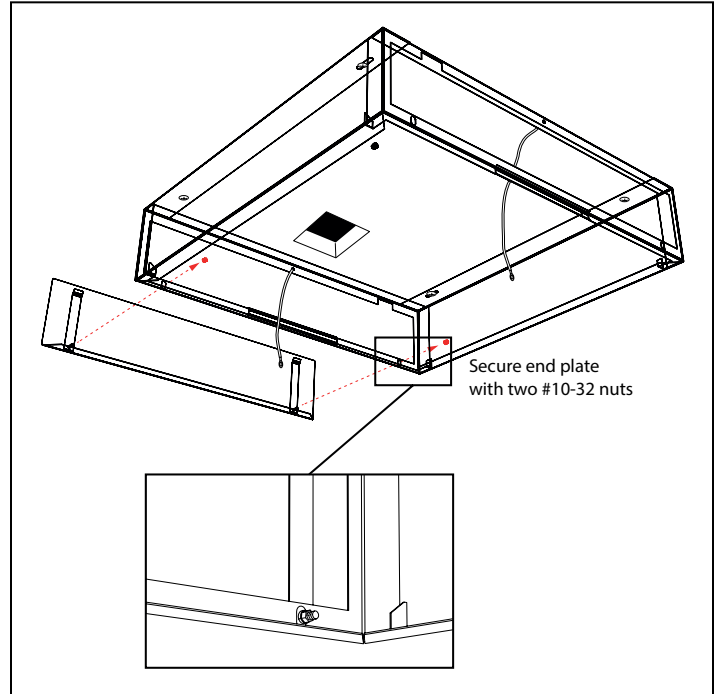
Installation Instructions

Surface Mount Kit

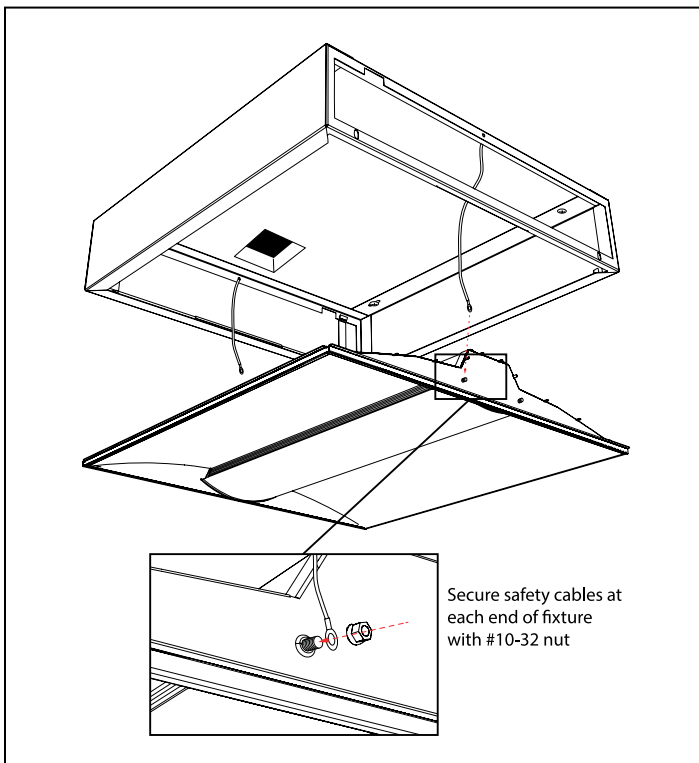
1. Using the appropriate dimensions and fasteners the **surface mount kit** to junction box and loosely secure the surface mount frame to the ceiling. Ensure the frame is square prior to fully securing the frame to the ceiling. Slots will allow for adjustment once the frame is attached.



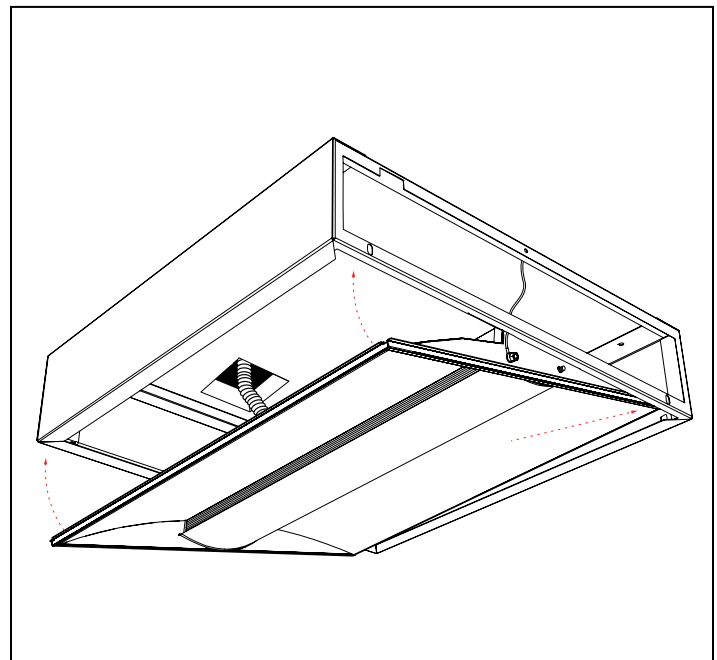
2. Secure end plate to one side of surface mount frame by securing clips to frame edge and rotating slots into studs on frame. Secure using two #10-32 nuts.



3. Prior to wiring fixture, secure safety cables at each end of the fixture by tacking to the existing protruding screws and secure with #10-32 nuts.



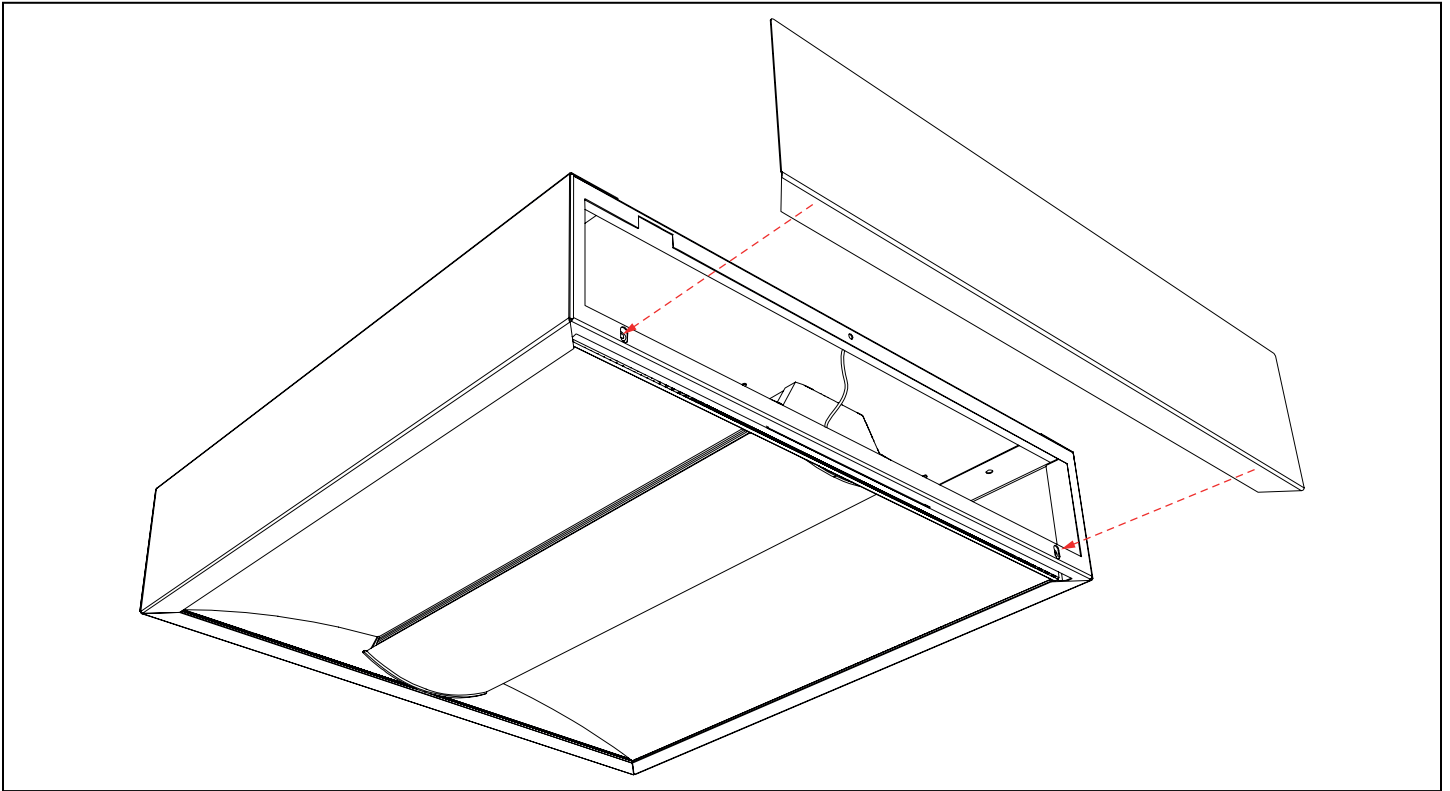
4. Make all electrical connections according to local code and make sure safety cables are secure. Angle the fixture into the bottom flange of the surface mount kit between locating tabs on all four corners. If the fixture is not resting properly on the bottom flange, lift it up and shift it until it rests into place.



Installation Instructions

Surface Mount Kit

5. Attach the final end plate in the same manner as the first end plate. Secure with two #10-32 nuts by lifting the edge of the fixture out of the way in order to thread onto the studs on the end plate.



6. Installation completed. Fixture is ready to power on.

