

# Installation Instructions

## Alphalite Linear LED Vapor Tight

Installation guide valid for the following models:

**LVT-4L**  
**LVT-4H**



### **WARNING**

#### **RISK OF FIRE OR ELECTRIC SHOCK**

The LED Vapor Tight must be installed by a qualified electrician in accordance with applicable federal, state, and local laws and codes. Installation requires knowledge of luminaire electrical systems and installer should be familiar with the operation of this product. If not qualified, do not attempt installation; contact a qualified electrician. Manufacturer assumes no responsibility for the improper installation of this luminaire.

Before installing, servicing, or performing routine maintenance upon this equipment, follow these general precautions.

### **WARNING**

To prevent wiring damage or abrasion, do not expose wiring to edges of sheet metal or other sharp objects. When installing this kit, drilling may damage luminaire wiring and electrical parts. Check for wiring and components in enclosure before drilling.

Do not make or alter any open holes in an enclosure of wiring or electrical components during kit installation.

### **WARNING**

#### **RISK OF PERSONAL INJURY**

Wear gloves or proper handling protection to prevent cuts or abrasions when handling and maintaining this product. This equipment may have sharp edges.

### **WARNING**

#### **RISK OF PERSONAL INJURY, FIRE OR ELECTRIC SHOCK**

Turn OFF power before installation.

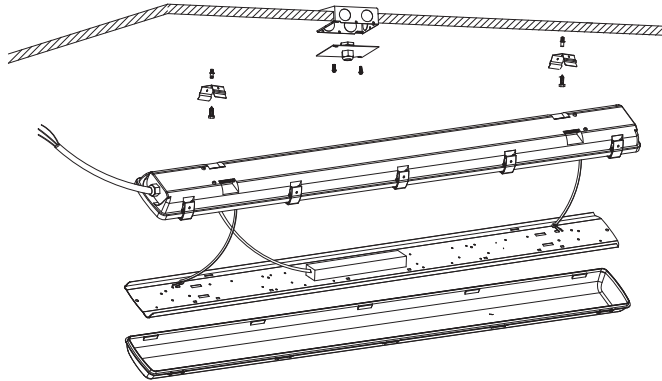
Contact manufacturer with any questions or concerns regarding installation of this luminaire.

# Alphalite

# Installation Instructions

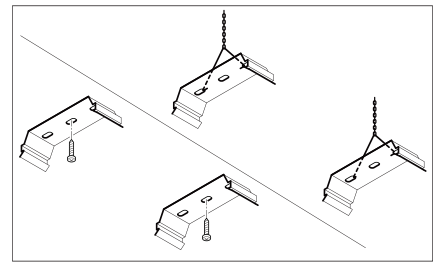
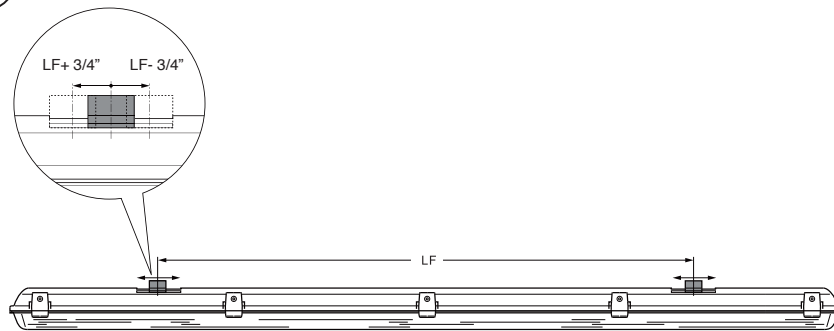
## Linear LED Vapor Tight

Overview:



1. Screw two pieces metal bracket (packed in the accessory bag) to ceiling; install the housing to the metal bracket.

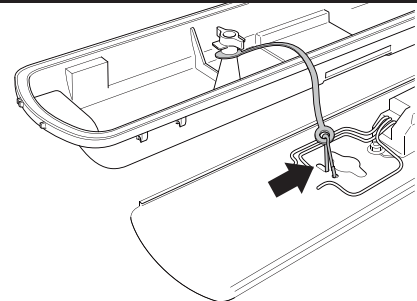
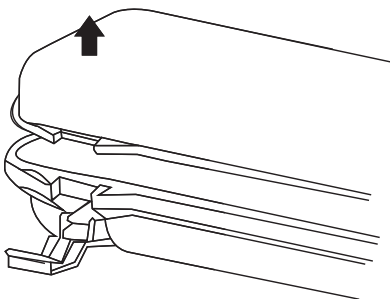
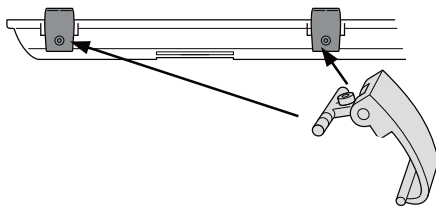
1



2-a. Carefully remove the PC cover through opening the metal clip, then remove aluminum plate through rotating the plastic knob.

2-b. Locate and connect tether to gear tray before making electrical connection.

2



### WARNING

To prevent wire damage, do not expose wiring to edges of metal or other sharp objects.

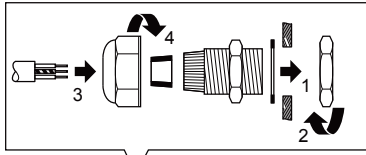


# Alphalite

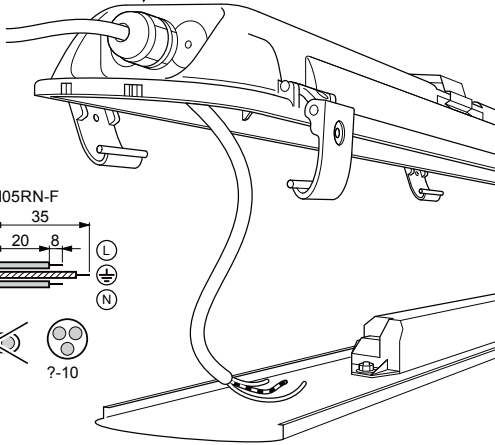
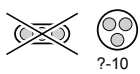
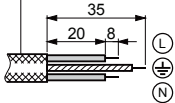
3. Install the end cap, connect power to driver.  
Follow Wiring Diagram below for reference.

4. Re-install the gear tray and PC cover to the housing.

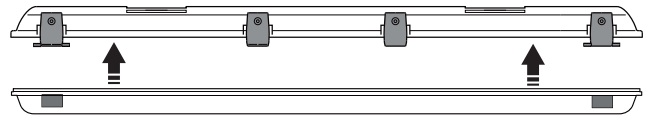
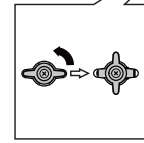
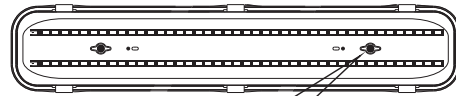
3



Min. 3x 1mm<sup>2</sup> H05RN-F

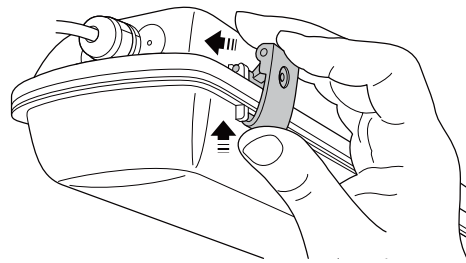


4

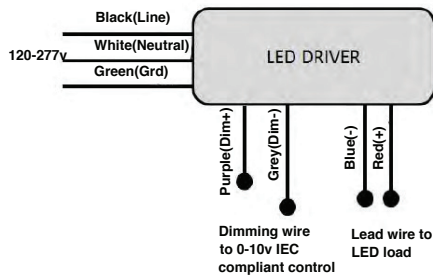


5. Fasten the metal clips.

5



## Wiring Diagram:



## 0-10V Dimmable Wiring

Follow the wiring directions as in fig. 1.

1. Connect the black fixture lead to the (+) LINE supply lead.
2. Connect the white fixture lead to the (-) COMMON supply lead.
3. Connect the GROUND wire from fixture to supply ground. Do NOT connect the GROUND of the dimming fixture to the output.
4. Connect the purple fixture lead to the (V+) DIM lead.
5. Connect the gray fixture lead to the (V-) DIM lead.

## ON-OFF Wiring

Follow the wiring directions as in fig. 1.

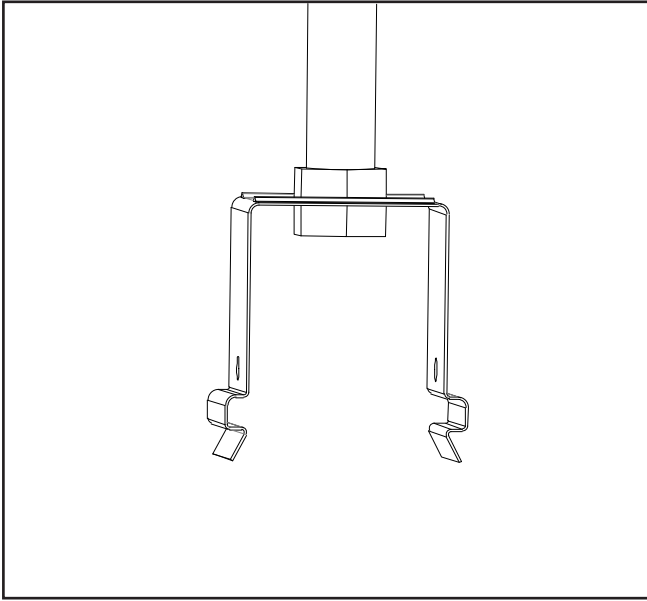
1. Connect the black fixture lead to the LINE supply lead.
2. Connect the white fixture lead to the COMMON/NEUTRAL supply lead.
3. Connect the GROUND wire from fixture to supply ground.

# Alphalite

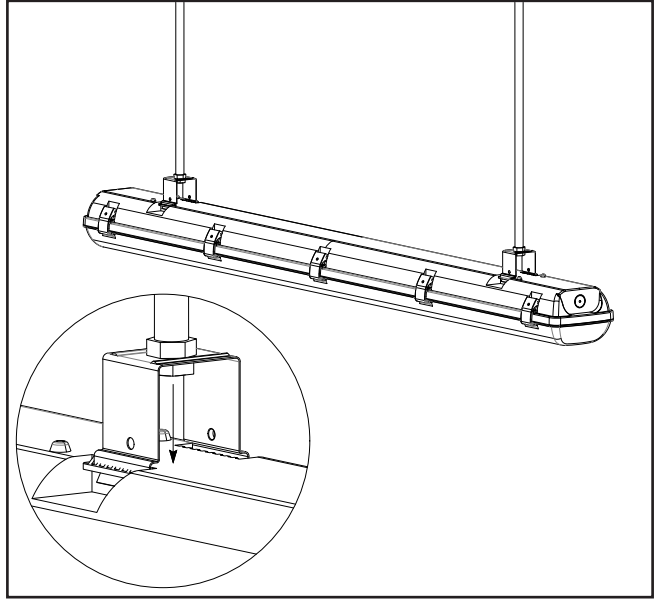
# Installation Instructions

## Pendant mount

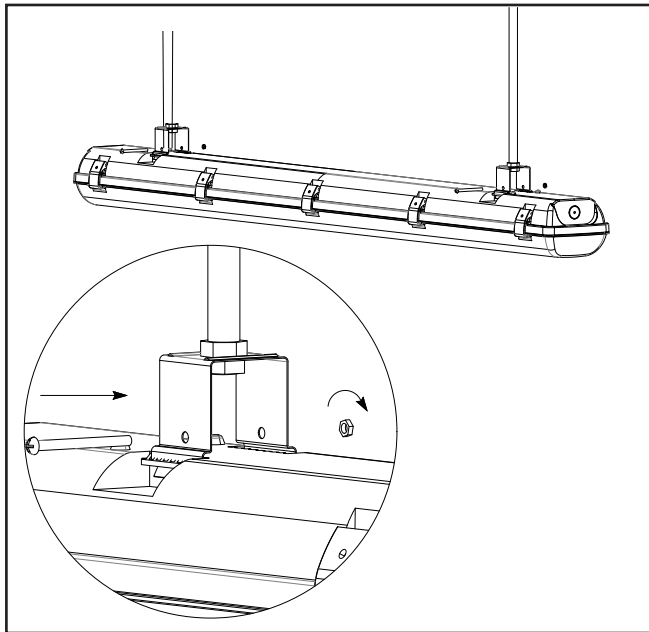
1. Insert the boom into the hole of boom bracket and fix with a nut.



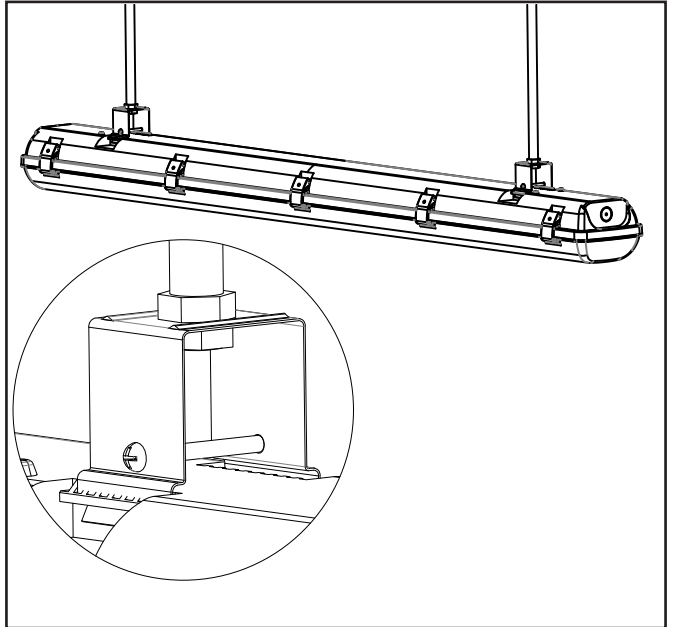
2. Secure mounting clips to housing recesses by firmly pressing them into place until both sides of the clip are secured.



3. Insert the long screw into the hole on the side of the boom bracket and screw the nut on.



4. Tighten the nut so that the support does not fall off.

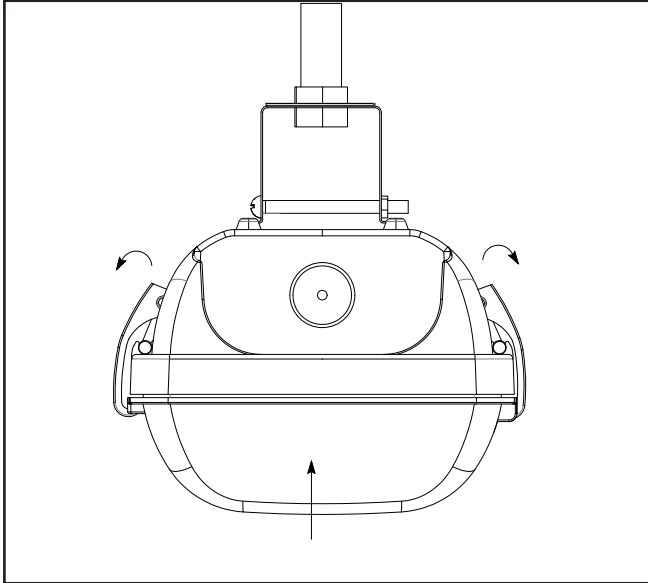


# Alphalite

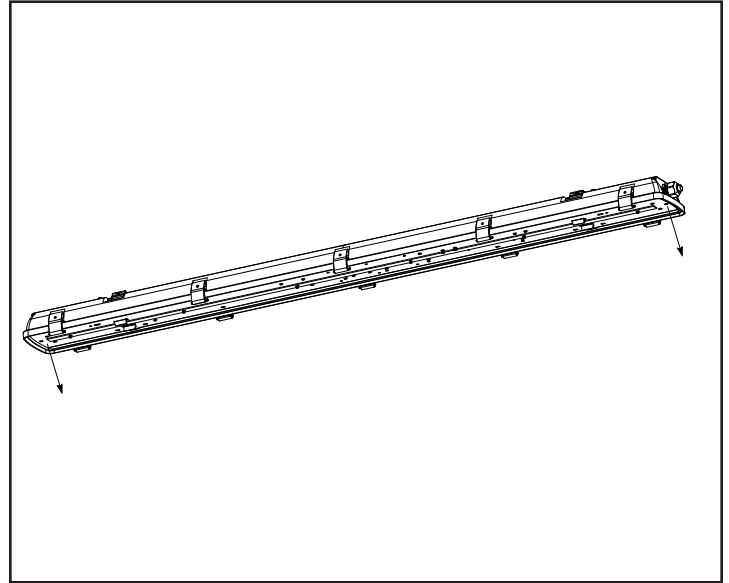
# Installation Instructions

## Pendant mount

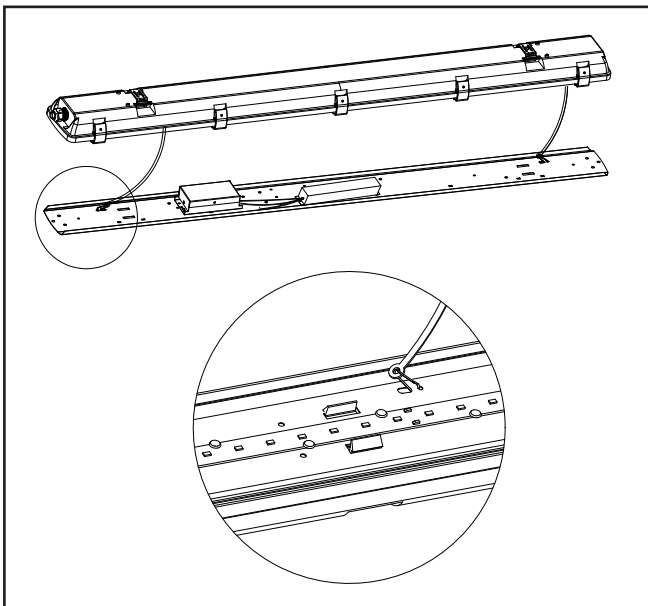
5. Release latches by pulling top of latch away from housing.



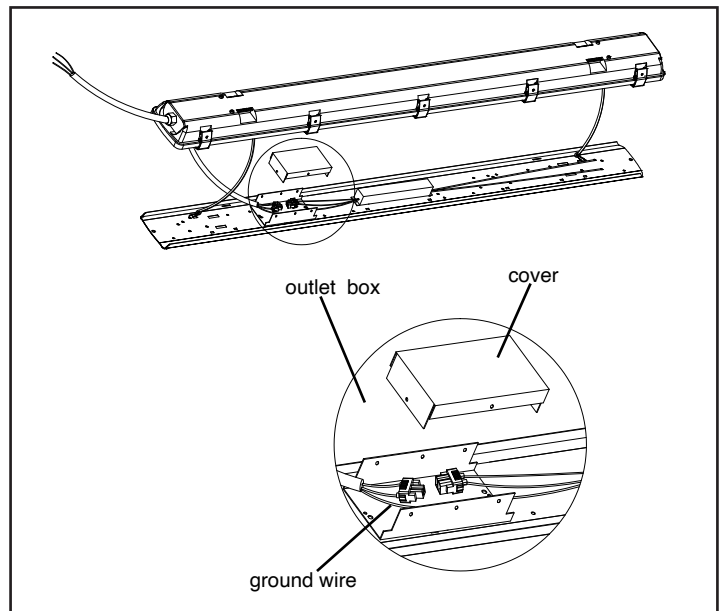
6. Without touching LED boards, detach LED tray from fixture.



7. Locate safety cable when opening to install fixture body and Snap connect tether to gear tray before making electrical connection as shown in figure.



8. Connect power to driver through outlet box as shown in the figure (the flexible cord supplied by others), make sure to snap the cover to the outlet box after the wiring.

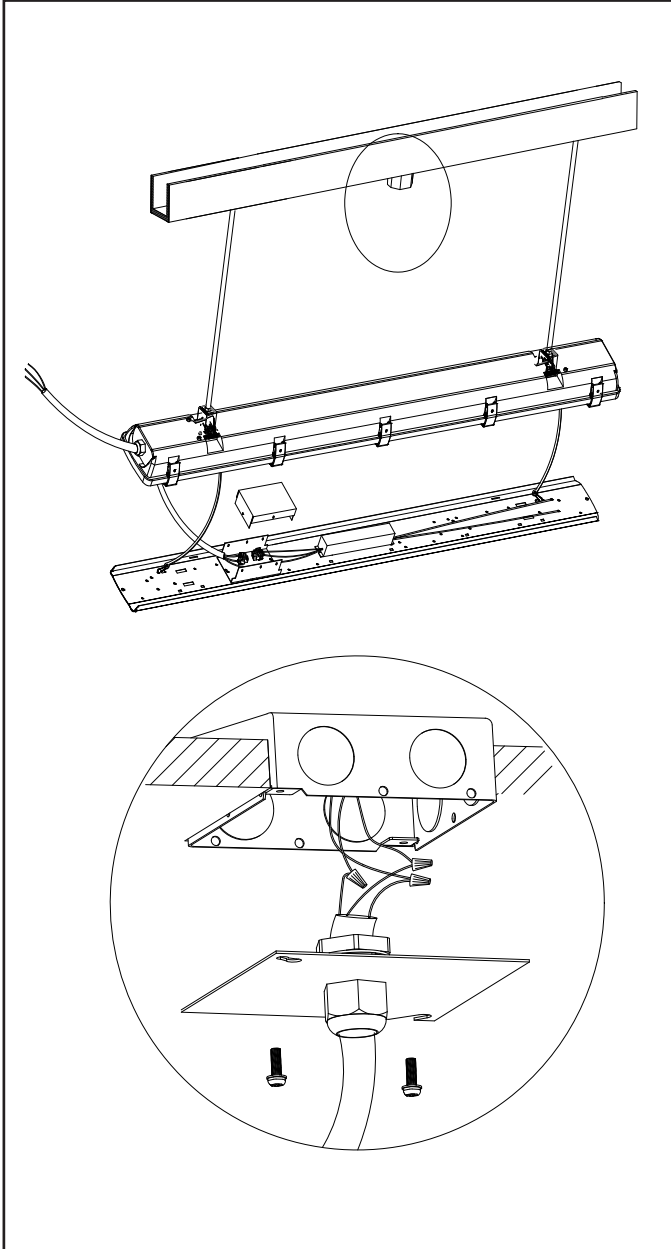


# Alphalite

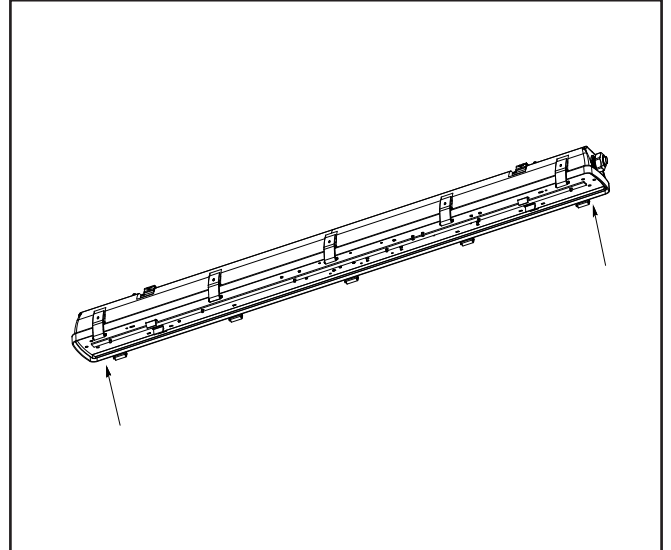
# Installation Instructions

## Pendant mount

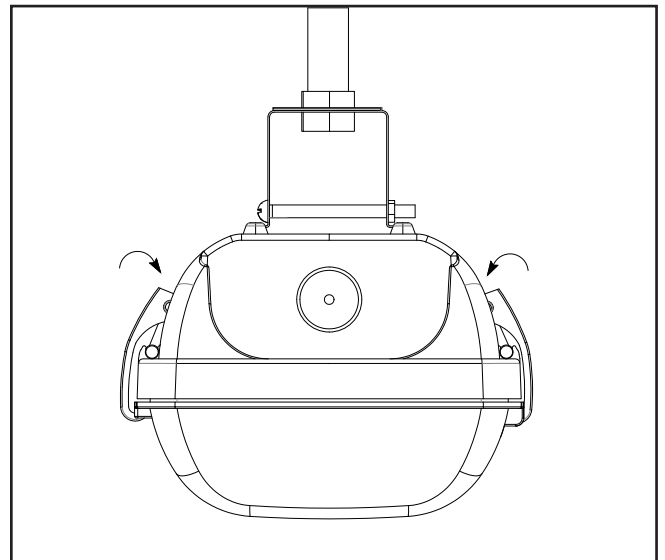
9. Follow general wiring Diagram on Figure for reference.  
Make sure the power supply is disconnected before installing.



10. Reattach LED tray to fixture by reversing step 5.



11. Secure lens to housing with lens latches.



# Alphalite