

Installation Instructions

Slim Linear LED High Bay

Installation guide valid for the following models:

HEB2-81	HEB2-101
HEB2-141	HEB2-161
HEB4-201	HEB4-281
HEB4-321	



WARNING

RISK OF FIRE OR ELECTRIC SHOCK

The HEB High Efficacy Linear LED High Bay must be installed by a qualified electrician in accordance with applicable federal, state, and local laws and codes. Installation requires knowledge of luminaire electrical systems and installer should be familiar with the operation of this product. If not qualified, do not attempt installation; contact a qualified electrician. Manufacturer assumes no responsibility for the improper installation of this luminaire. When installing the fixture, drilling may damage luminaire wiring and electrical parts. Check for wiring and components in enclosure before drilling.

WARNING

To prevent wiring damage or abrasion, do not expose wiring to edges of sheet metal or other sharp objects. When installing this kit, drilling may damage luminaire wiring and electrical parts. Check for wiring and components in enclosure before drilling.

CAUTION

RISK OF PERSONAL INJURY

- Wear gloves or proper handling protection to prevent cuts or abrasions when handling and maintaining this product. This equipment may have sharp edges. To reduce the risk of death, personal injury or property damage from fire, electric shock, falling parts, cuts/abrasions, and other hazards read all warning and instructions included with and on the fixture box and all fixture labels.
- Avoid direct eye exposure to the light source while it is on.

WARNING

RISK OF PERSONAL INJURY, FIRE OR ELECTRIC SHOCK

Turn OFF power before installation.

NOTICE

- Green ground screw provided in proper location. Do not relocate.
- Minimum 90° supply conductors.
- Specifications and dimensions subject to change without notice.
- Suitable for Dry or Damp location.

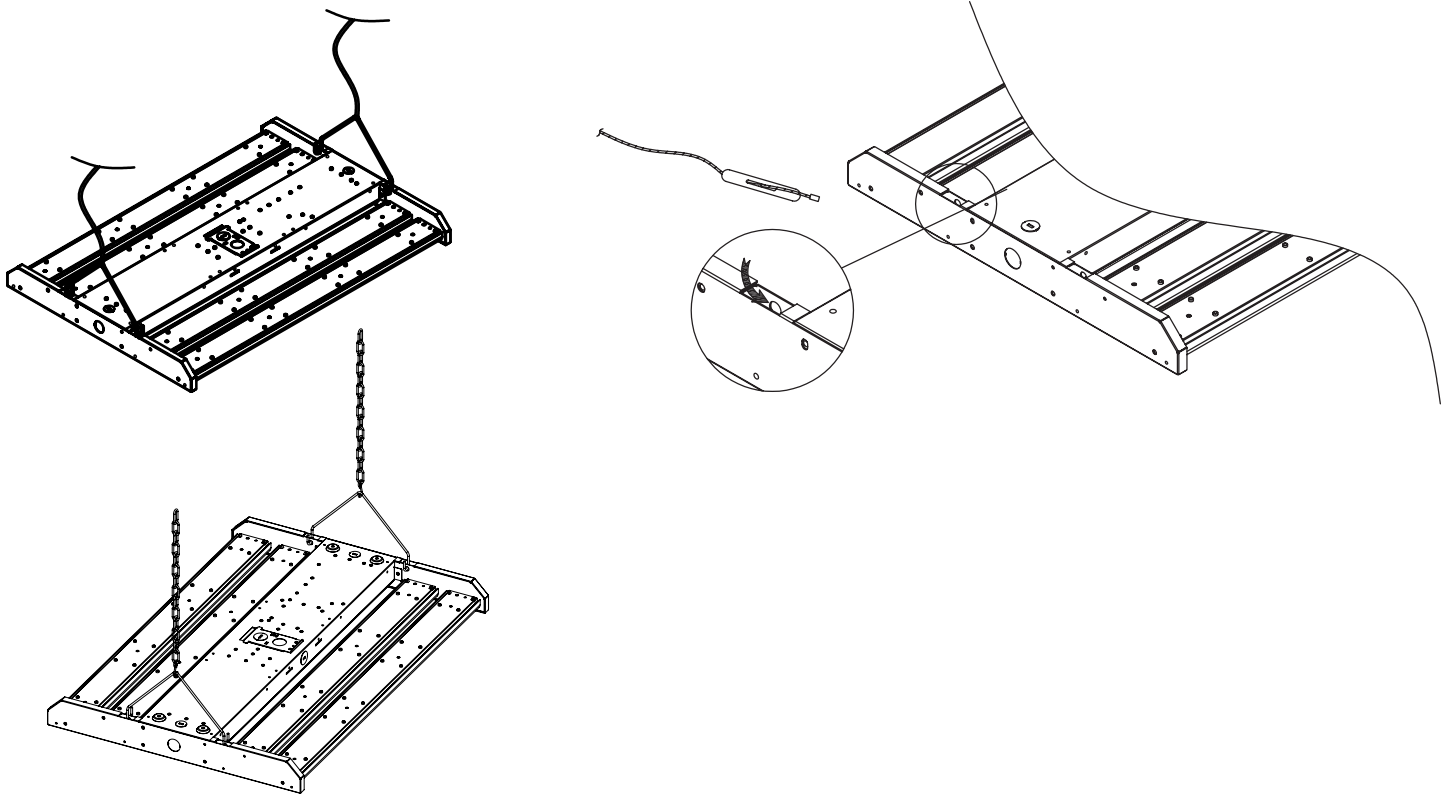
Contact manufacturer with any questions or concerns regarding installation of this luminaire.

Alphalite

Installation Instructions

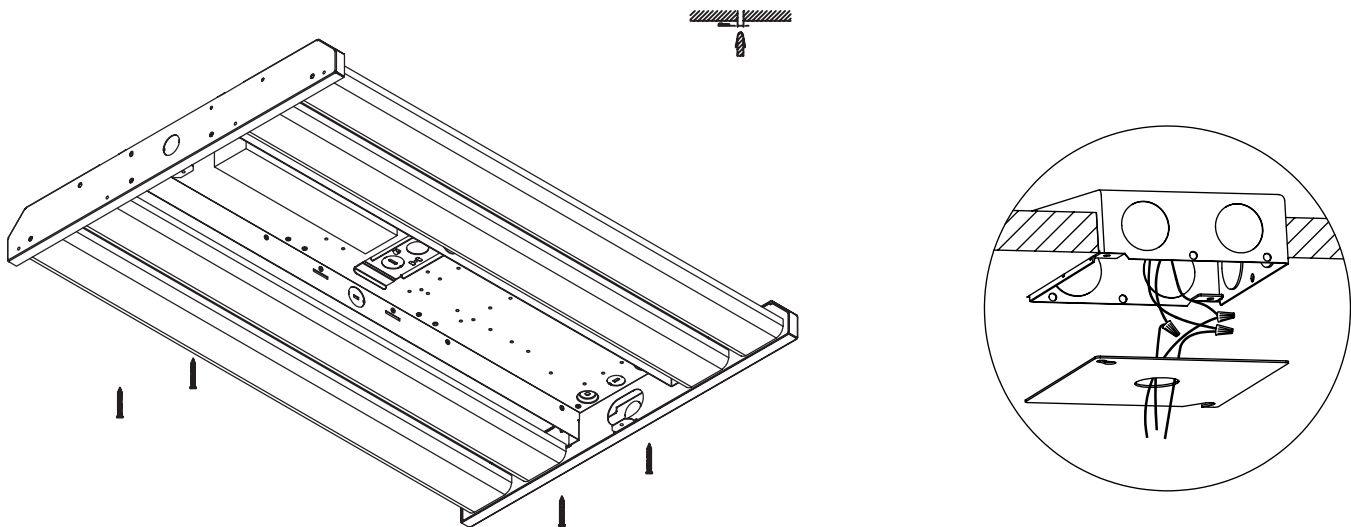
High Efficacy Linear LED High Bay

Aircraft Cable Suspension and Chain Mounting Installation Steps: (Required additional kit from manufacturer)



Surface Mounting Installation Steps:

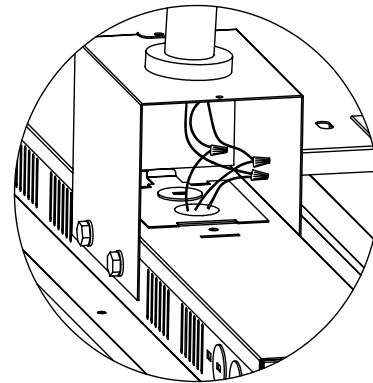
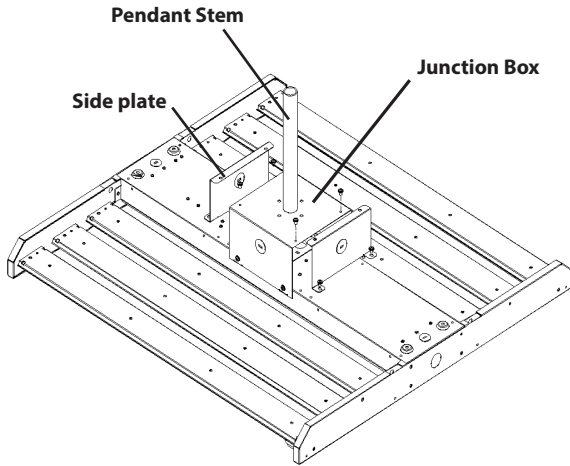
1. Remove the cover located in the centre of fixture.
2. Fix the fixture onto the wall by tap screws and close the cover.



Pendant hanger Installation Steps: (Required additional kit from manufacturer)

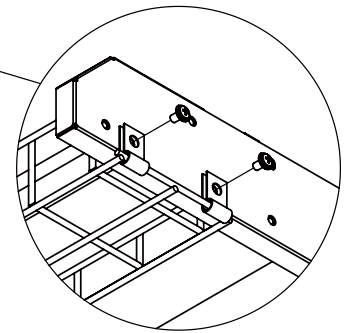
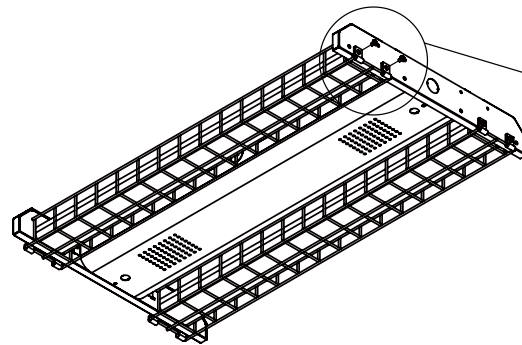
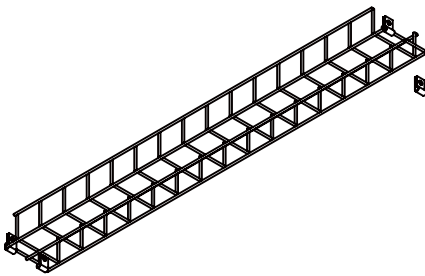
Suitable for 1/2" NPS pedant stem (Not provided by manufacturer).

1. Install pedant-mount kit(including: stem/ junction box/ screws and washers).
2. Feed wires through pedant stem and into junction box. Wire the housing leads to supply wires using UL listed wire connectors according to the codes in the junction box. Push all wires back into junction box, install side plate of box with supplied screws.



Wire-guards Installation Steps:

1. Install the clip on the wire guard.
2. Lock the clip and the fixture with screws.



WARNING

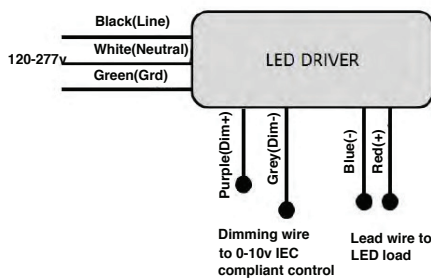
RISK OF PERSONAL INJURY

Proper grounding of metal parts is required for safety.



DO NOT TOUCH LED

Wiring Diagram:



0-10V Dimmable Wiring

Follow the wiring directions as in fig. 1.

1. Connect the black fixture lead to the (+) LINE supply lead.
2. Connect the white fixture lead to the (-) COMMON supply lead.
3. Connect the GROUND wire from fixture to supply ground. Do NOT connect the GROUND of the dimming fixture to the output.
4. Connect the purple fixture lead to the (V+) DIM lead.
5. Connect the gray fixture lead to the (V-) DIM lead.

ON-OFF Wiring

Follow the wiring directions as in fig. 1.

1. Connect the black fixture lead to the LINE supply lead.
2. Connect the white fixture lead to the COMMON/NEUTRAL supply lead.
3. Connect the GROUND wire from fixture to supply ground.

Alphalite