



PROJECT NAME

CATALOG NO.

TYPE

DATE

NOTE

LED ROUND HIGH BAY

RWU Series
High / Low Bays

DESCRIPTION

The Alphalite RWU Series Slim Round LED High Bay delivers high lumen output, long life, economic solution, and no restrike time. This energy-efficient LED luminaire offers one-to-one replacement of existing HID or fluorescent high bays. Precision-formed reflectors delivers adequate light in high mounting applications. Modular driver and LED arrays. Economic solution to optimize payback. Capable of being operated with occupancy sensor

APPLICATION

Various commercial industrial applications with high ceilings: warehouse, manufacturing facilities, retail, gymnasiums, grocery.



SPECIFICATION FEATURES

Benefits

- Attractive ROI
- Lower energy costs
- High quality light for a more productive space

Construction

Rugged die-cast aluminum housing withstands environments without climate control. Outer surface treated with durable powder coating to provide resistance to corrosion, rust, weathering, and UV degradation. Performance-engineered, integral heat dissipation fins and LED thermal substrate provides superior thermal management for long life and reliability.

Electrical

Luminaire utilizes long life, high efficacy LEDs and a highly efficient, reliable LED driver. 120V-277V input voltage for increased versatility. Comes equipped with quick disconnect for compliance with US code.

Mounting

Comes standard equipped with hook mounting.

Optics

One piece precision molded thick polycarbonate. High light reflectivity reflectors. 120° beam angle comes in standard.

Finish

Outer surface treated with durable powder coating in black color to provide resistance to corrosion, rust, weathering, and UV degradation.

Certifications / Regulatory

UL listed. DLC QPL listed. All components have safety approvals.

Warranty

7-year warranty. See complete warranty terms for details.

Quick Ship Product

- RWU-100/850
- RWU-150/840
- RWU-150/850
- RWU-240/850

ORDERING INFORMATION

Sample Number: RWU-150/850

RWU	150	8	50	(Blank)	(Blank)	(Blank)
Series	Form Factor	CRI	CCT	Input Voltage	Dimming	Beam Angle
RWU - LED Round High Bay	100 - 100W 150 - 150W 200 - 200W 240 - 240W	8 - 80+ CRI	40 - 4000K 50 - 5000K	(Blank) - 120V-277V	(Blank) - 0-10V Continuous Dimming	(Blank) - 120°

Options

Accessories

RWU-RPC - PC Reflector
Cone

Controls

MMS - Integrated step dimming
Microwave motion sensor

SUMMARY

Input Voltage	120V-277V
Input Frequency	50/60 Hz
Power Factor	> 0.95
THD (Max.)	20%
Efficacy	> 135 LPW
Controls/ Dimming	Full Range 0-10V dimming standard
Dimming Range	10-100%
CRI	80+, R9 > 0
CCT	4000K and 5000K
Operating Temp.	-4 to +120F° (-20 to +49C°)
Rated Life	70,000 hours

ENERGY PERFORMANCE DATA

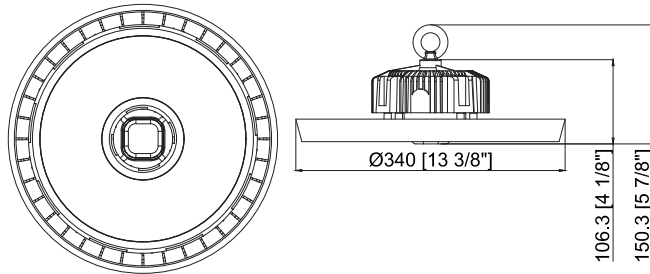
Part No.	Rated Wattage (W)	Tested Wattage (W)	Delivered Lumens (lm)	Efficacy (lm/W)
RWU-100	100	93.86	13500	135
RWU-150	150	140.48	20250	135
RWU-200	200	200	27000	135
RWU-240	240	240	32400	135

PHYSICAL PARAMETERS

DIMENSION

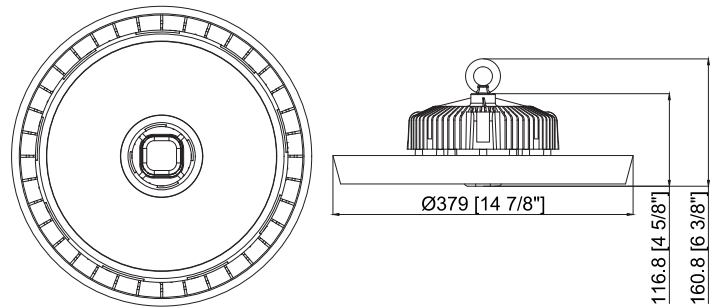
RWU-100 & 150

5.95 Lbs.



RWU-200 & 240

9.92 Lbs.



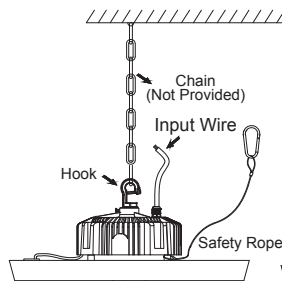
REFLECTOR

PC Reflector Cone



MOUNTING OPTIONS

Hook Mounting



CEILING MOUNTING