



PROJECT NAME

CATALOG NO.

TYPE

DATE

NOTE

ALPHA SERIES HIGH PERFORMANCE LED WALL PACK

WPS Series
LED Wall Pack

DESCRIPTION

The Alpha Series LED wall pack is a modern and versatile, integrated LED solution that delivers long life and energy savings within a slim, low profile design. The rugged housing offers advanced thermal management and protection against outdoor environments without compromising aesthetics.

APPLICATION

Outdoor wall-mount applications. Building facade. Commercial, industrial, retail, hospitality buildings that demand long service life and low maintenance.

SPECIFICATION FEATURES

Construction

Rugged die-cast aluminum housing withstands outdoor environments. Outer surface treated with durable powder coating to provide resistance to corrosion, rust, weathering, and UV degradation. 0-90deg adjustable. Performance-engineered, integral heat dissipation fins provides superior thermal management for long life and reliability. Housing and optics maintain IP65 and impact resistance rating.

Electrical

Luminaire utilizes long life, high efficacy LEDs and a highly efficient, reliable LED driver. 120V-277V input voltage for increased versatility. For higher lumen, high mounting height models, dimming option available. Comes equipped with quick disconnect for compliance with US code.

Optics

Polycarbonate lens, anti-UV optimize performance and increase delivered light to desired areas.

Finish

Outer surface treated with durable powder coating to provide resistance to corrosion, rust, weathering, and UV degradation. Available in various color finishes.

Mounting

Luminaire mounting designed for standard J-Box. Can be mounted directly to surface. Features multiple conduit entries.

Certifications / Regulatory

UL listed. DLC Premium QPL listed. All components have safety approvals.

Warranty

5-year limited warranty. See complete warranty terms for details.



Quick Ship Product

WPS-12/50K
WPS-35/50K
WPS-50/50K
WPS-75/50K
WPS-120/50K

ORDERING INFORMATION

Sample Number: **WPS-12/50K**

WPS	12	50K	(Blank)	(Blank)	(Blank)
Series	Lumen Package	CCT	Input Voltage	Dimming	Finish Color
WPS - Alpha Series LED Wall Pack	12 - 12W 35 - 35W 50 - 50W 75 - 75W 120 - 120W *see energy data for details	5000K (Standard)	(Blank) - 120V-277V	(Blank) - Non-dimmable	(Blank) - Dark Bronze

Options

Dimming/ Controls

PS - Photocell

SUMMARY

Input Voltage	100V-277V
Input Power	See energy data for details
Power Factor	> 0.95
THD (Max.)	20%
Efficacy	> 130 LPW
Delivered Lumens	See energy data for details
Controls/ Dimming	0-10V dimming option available.
CRI	> 70
CCT	5000K
Operating Temp.	-40~ +122°F (-40~ +50°C)
Rated Life	60,000 hours
IP Grade	IP65

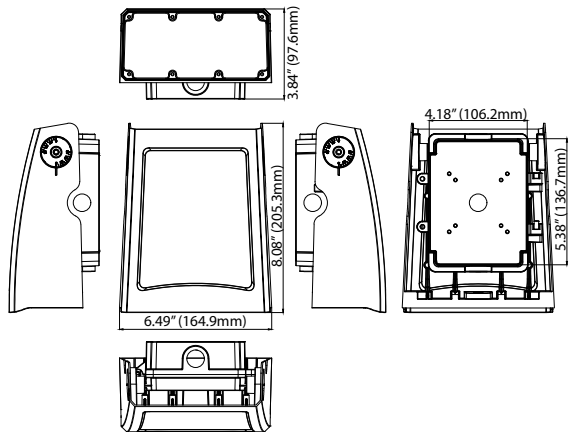
ENERGY PERFORMANCE DATA

Part No.	Rated Wattage (W)	Delivered Lumens (lm)	Efficacy (lm/W)
WPS-12/50K	12	1560	130
WPS-35/50K	35	4550	130
WPS-50/50K	50	6500	130
WPS-75/50K	75	9750	130
WPS-120/50K	120	14400	120

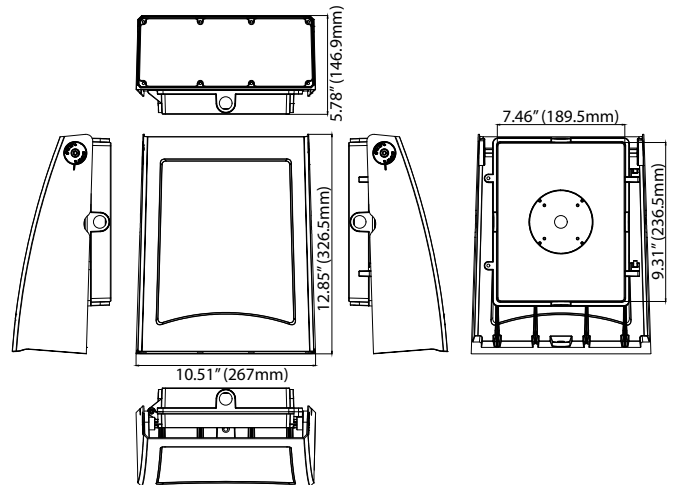
PHYSICAL PARAMETERS

DIMENSION

WPS-12, and 35



WPS-50, and 75



WPS-120

