

Installation Instructions

Alphalite LED Troffer Transparent Vertical Fin Lens Luminaire

Installation guide valid for the following models:

TSRF-22A
TSRF-24A



WARNING

RISK OF FIRE OR ELECTRIC SHOCK

The LED Troffer Transparent Vertical Fin Lens Luminaire must be installed by a qualified electrician in accordance with applicable federal, state, and local laws and codes. Installation requires knowledge of luminaire electrical systems and installer should be familiar with the operation of this product. If not qualified, do not attempt installation; contact a qualified electrician. Manufacturer assumes no responsibility for the improper installation of this luminaire. When installing the fixture, drilling may damage luminaire wiring and electrical parts. Check for wiring and components in enclosure before drilling.

WARNING

To prevent wiring damage or abrasion, do not expose wiring to edges of sheet metal or other sharp objects. When installing this kit, drilling may damage luminaire wiring and electrical parts. Check for wiring and components in enclosure before drilling.

WARNING

RISK OF PERSONAL INJURY

Wear gloves or proper handling protection to prevent cuts or abrasions when handling and maintaining this product. This equipment may have sharp edges. To reduce the risk of death, personal injury or property damage from fire, electric shock, falling parts, cuts/abrasions, and other hazards read all warning and instructions included with and on the fixture box and all fixture labels.

WARNING

Suitable for Damp locations. Do not touch LEDs with hands or tools. Mishandling of LED can lead to product failure.

WARNING

RISK OF PERSONAL INJURY, FIRE OR ELECTRIC SHOCK

Turn OFF power before installation.

Contact manufacturer with any questions or concerns regarding installation of this luminaire.

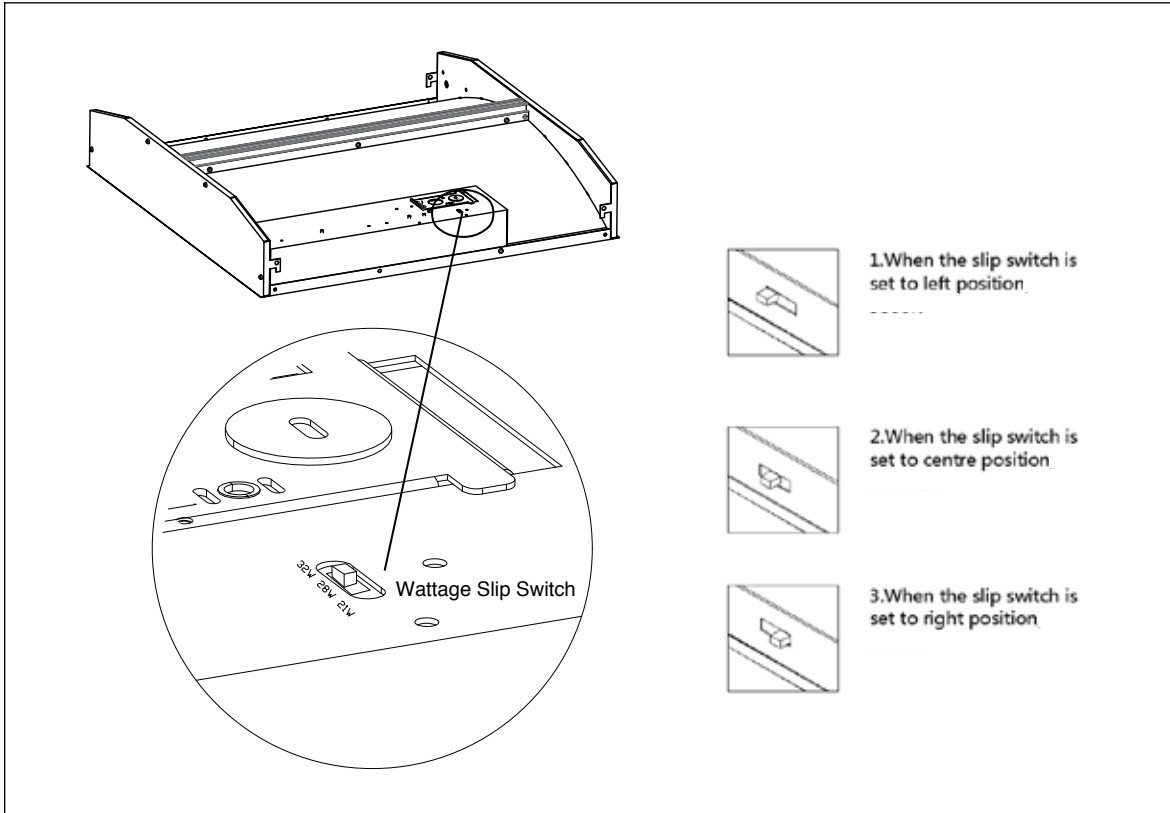
Alphalite

Installation Instructions

LED Troffer Transparent Vertical Fin Lens Luminaire

Schematic of Wattage Adjustment (3 set position)

Item	Left Position	Centre Position	Right Position
2x2	32W	28W	21W
2x4	64W	50W	35W



CAUTION

1. Avoid direct eye exposure to the light source while it is on.
2. Account for small parts and destroy packing material, as these may be hazardous to children
3. Disconnect power and allow fixture to cool before changing bulb or handing fixture.

Alphalite

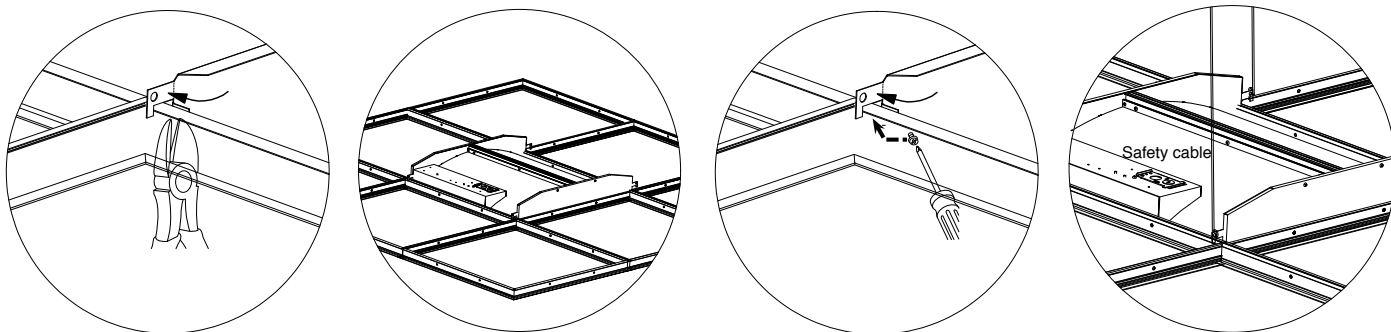
Installation Instructions

LED Troffer Transparent Vertical Fin Lens Luminaire

Recessed Installation Steps:

Suitable for 9/16" or 15/16" Flat T-Grid in both insulated ceilings and non-insulated ceilings. Access above ceiling required.

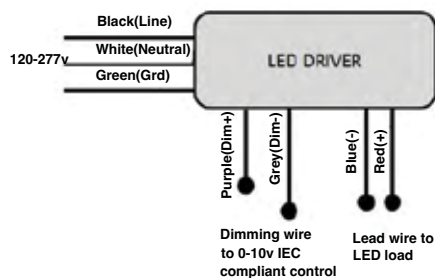
1. Bend (4) grid clip mounting tab 90° degrees on each corner.
2. Rotate and slide the luminaire as required to fit through the T-Grid Bar and secure. Safety cable are required by installation codes (not included in the package).
3. Make sure that the orientation of the Access Plate and Splice Box face an accessible tile to make electrical splices.
4. Loosen Access Plate Screw and remove the Access Plate Knock out appropriate Conduit Knockouts on the Access Plate to route input conduit. Use appropriate conduit connectors as required by code.
5. Connect wires as shown in wiring diagram below. Push all wires back into the Splice Box. Use appropriate UL-approved wire connectors as required by code to complete wiring.
6. Ensure that the wiring of the last luminaire in the row is properly terminated. Then make all electrical connections to the luminaire. Attach the wiring access cover plate.



CAUTION

1. Avoid direct eye exposure to the light source while it is on.
2. Account for small parts and destroy packing material, as these may be hazardous to children
3. Disconnect power and allow fixture to cool before changing bulb or handing fixture.

Wiring Diagram:



0-10V Dimmable Wiring

Follow the wiring directions as in fig. 1.

1. Connect the black fixture lead to the (+) LINE supply lead.
2. Connect the white fixture lead to the (-) COMMON supply lead.
3. Connect the GROUND wire from fixture to supply ground. Do NOT connect the GROUND of the dimming fixture to the output.
4. Connect the purple fixture lead to the (V+) DIM lead.
5. Connect the gray fixture lead to the (V-) DIM lead.

ON-OFF Wiring

Follow the wiring directions as in fig. 1.

1. Connect the black fixture lead to the LINE supply lead.
2. Connect the white fixture lead to the COMMON/NEUTRAL supply lead.
3. Connect the GROUND wire from fixture to supply ground.

Alphalite