



PROJECT NAME

CATALOG NO.

TYPE

DATE

NOTE

## LED BOLLARD WITH ADJUSTABLE WATTAGE AND CCT

**BLA Series**  
Bollards

### DESCRIPTION

The BLA Series LED Bollard is a high-performance, IP65-rated luminaire that produces a minimum of 130 lumen per watts, providing significant energy savings while remaining durable in the field. The adjustable wattage and CCT option provide a wide range of lumen packages to replace traditional metal halide lighting from 50W to 100W. With an expected service life of over 20 years of nighttime use and up to 70% in energy savings over comparable 100W metal halide luminaires, the BLA Bollard is a reliable, low-maintenance lighting solution that produces sites that are exceptionally illuminated.

### APPLICATION

The rugged construction and clean lines of the BLA Bollard is ideal for illuminating building entryways, walking paths, and pedestrian plazas, as well as any other location requiring a low mounting height light source with fully cutoff illumination.



### SPECIFICATION FEATURES

#### Construction

One-piece 6-inch round die-casting aluminum shaft with thick side walls for extreme durability, a high-impact clear acrylic lens and welded top cap. Overall height is 42" standard. IP65 Rated, suitable for wet locations. 10KV surge protection come in standard, IK10 rated.

#### Finish

Exterior parts are protected by a zinc-infused super durable thermoset powder coat finish that provides superior resistance to corrosion and weathering for maximum retention of gloss and luster. A tightly controlled multi-stage process ensures a minimum 3-mil thickness for a finish that can withstand the elements without cracking or peeling.

#### Electrical

Light engines consist of high-efficacy LEDs mounted to metal-core circuit boards to maximize heat dissipation and promote long life. Electrical components are mounted on a removable power tray.

#### Optics

A fully cutoff symmetrical distributions. IP65 sealed LED light engine provides smoothly graduated illumination without any uplight.

#### Certifications / Regulatory

cULus listed. All components used have UL approval. IP65 rated. IK10 rated.

#### Warranty

5-year limited warranty. See complete warranty terms for details.

### Quick Ship Product

**BLA-R-22A/8A**  
**BLA-S-22A/8A**  
**BLA-R-22A/8A-DMLV**

## ORDERING INFORMATION

Sample Number: **BLA-R-22A/8A**

BLA	R	22A	8	A	(Blank)	(Blank)
<b>Series</b>	<b>Form Factor</b>	<b>Lumen Package</b>	<b>CRI</b>	<b>CCT</b>	<b>Beam Angle</b>	<b>Finish</b>
<b>BLA</b> - LED Bollard with Adjustable Wattage and CCT	<b>R</b> - Round <b>S</b> - Square	<b>22A</b> - 22/16/12W Adjustable <i>*See energy data for details</i>	<b>8</b> - CRI>80	<b>A</b> - Adjustable CCT (5000/4000/3000K)	<b>(Blank)</b> - Symmetrical <b>DMLV</b> - Round Dome Louver	<b>(Blank)</b> - Dark Bronze <b>BK</b> - Black

### Options

#### Accessories

- BLA-R-180SK** - 180° Shield Kit for round fixture, dark bronze finish
- BLA-R-180SK-BK** - 180° Shield Kit for round fixture, black finish

SUMMARY

Input Voltage	120-277V
Input Power	See energy data for details
Power Factor	> 0.9
THD (Max.)	20%
Efficacy	130 LPW
Delivered Lumens	See energy data for details
Controls/ Dimming	Full Range 0-10V dimming standard
Dimming Range	10-100%
CRI	> 80
CCT	5000/4000/3000K Selectable
Operating Temp.	-40°F ~ 122°F (-40°C ~ +50°C)
Rated Life	70,000 hours
IP Grade	Outdoor, wet locations, IP65 rating
BUG Rating	B1-U3-G1

ENERGY PERFORMANCE DATA

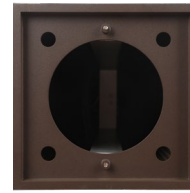
Part No.	Rated Wattage (W)	Delivered Lumens (lm)	Efficacy (lm/W)
BLA-R-22A/8A	22/16/12	2860/2080/1560	130
BLA-R-22A/8A-DMLV	22/16/12	1540/1120/840	70
BLA-S-22A/8A	22/16/12	2860/2080/1560	130

MOUNTING INFORMATION

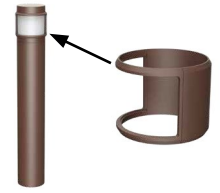
Round Fixture



Square Fixture



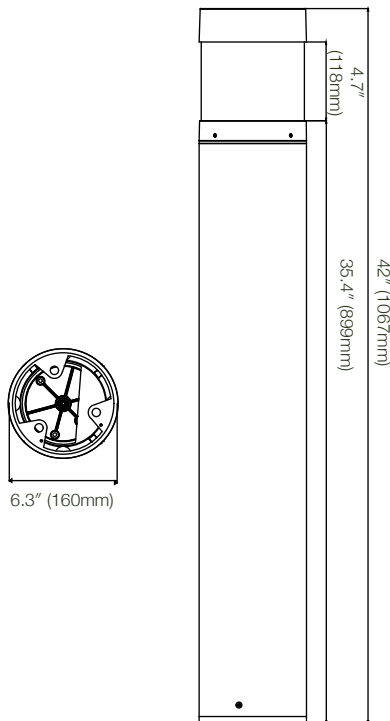
180° Shield Kit



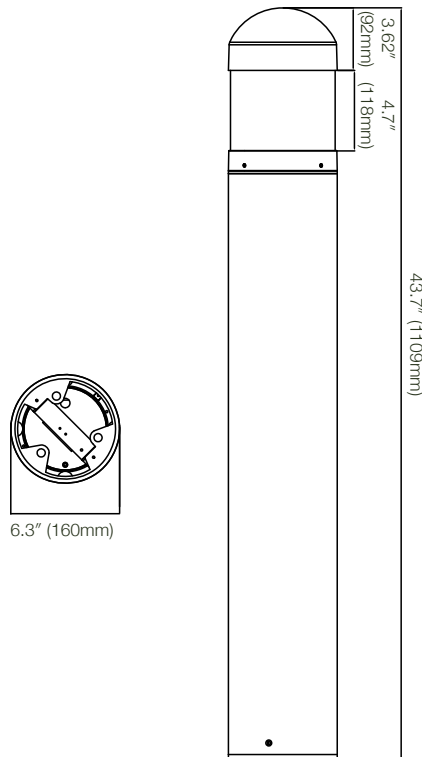
PHYSICAL PARAMETERS

DIMENSION

BLA-R-22A/8A



BLA-R-22A/8A-DMLV



BLA-S-22A/8A

