

# Alphalite

PROJECT NAME

CATALOG NO.

TYPE

DATE

NOTE

## HIGH BAY/LOW BAY PASSIVE INFRARED OCCUPANCY SENSOR

**APS-819P-A**  
Alphalite lighting controls

### DESCRIPTION

Alphalite's High Bay/ Low Bay Occupancy Sensors are specially designed for high mounted areas such as warehouses, manufacturing and other high ceiling applications. The APS-819P-A installs directly to an industrial luminaire or an electrical junction box. It is a self-contained sensor and relay that detects motion using the passive infrared (PIR) to sense sources (such as a person entering a room) within its field-of-view (monitored space) and automatically switches lights ON. The controlled lights will remain ON until no motion is detected and the scheduled time-delay has expired. The APS-819P-A is supplied with two interchangeable lens rings that allows the user to select between a 360 degree High Bay/Low Bay pattern or an aisle pattern. The sensor controls the lights to balance light level in the space, combining convenience, and exceptional energy savings.



### CONTROLS READY

Compatible Alphalite fixture will be shipped controls enabled with APS-819P-A installed on the fixture. Fixtures will be compatible with Alphalite Daylight Sensor which can be added in the field for remote mounting.

## ORDERING INFORMATION

Order code is **-PIR** and it is available with the following Alphalite products:

EHB Series -  
Slim Linear LED High Bay



ILL Series -  
Linear LED Strip



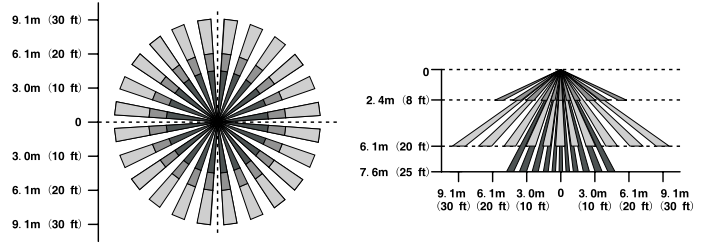
LBW Series -  
LED Utility Wrap Luminaire



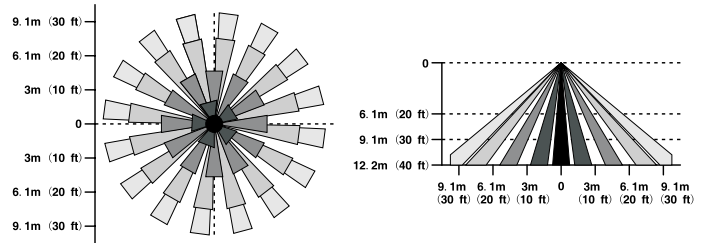
SUMMARY

Operating voltage	120-277Vac, 50/60Hz
Rated load	Incandescent/Halogen- 800W/1200W@120/277V Fluorescent Ballast/CFL- 800W/1200W@120/277V Ballast Electronic (LED)- 800/1200VA@120/277V
Detection zone	L1: 360° lens, 48' diameter (@8' mounting height) L2: 360° lens, 60' diameter (@40' mounting height)
Detection sensitivity	20%/ 50%/ 75%/ 100%
Time Delay	10s/ 1min/ 5min/ 10min/ 30min/+∞
Daylight sensor	10lux/ 50lux/ 300lux/ Disable
Humidity	Max. 95% RH
Operating temperature	-40°F ~ +167°F (-40°C ~ +75°C)

L1 (Low Bay Lens) Suggested installation height: 8'-20'

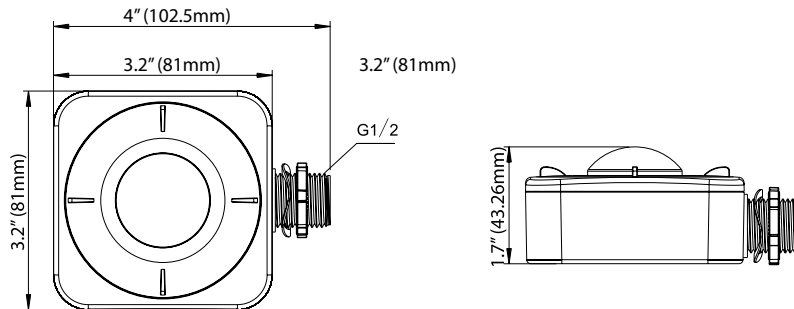


L2 (High Bay Lens) Suggested installation height: 20' and above



PHYSICAL PARAMETERS

DIMENSION



WIRING DIAGRAM

