



PROJECT

TYPE

DATE

ITEM NO.

NOTE

VOLUMETRIC LED TROFFER

STL Series

Panels and Troffer

DESCRIPTION

The STL architectural LED Troffer series combines the benefits of long life, controllability, and energy savings with elegant design and superior quality of light. The STL luminaire optimize LED optics and electronics to deliver energy savings and high performance.

APPLICATION

Indoor general/ambient illumination. Ideal for offices, schools, retail, and other architectural spaces that demand energy demand reduction and high quality light.



SPECIFICATION FEATURES

Construction

Rugged construction: solid die-formed, cold-rolled steel. Interior utilizes highly reflective powder coat finish. All surfaces coated and baked post-fabrication with high gloss powder-paint. Diffuser lens provides even and consistent light while eliminating pixelation. Driver are replaceable. Housing and optics maintain damp location rating with all internal components.

Electrical

Luminaire utilizes long life, high efficacy LEDs and a highly efficient, reliable LED driver. 120-277V input voltage for increased versatility. 1-10V continuous dimming comes standard. Comes equipped with quick disconnect for compliance with US code

Mounting

Installs recessed with T-bar grid. Surface mount and flange mount kit available as options.

Finish

Highly reflective powder coat finish. Baked white matte paint, applied after fabrication.

Optics

Precision formed optical assembly with positively retained high optical grade acrylic lenses deliver a comfortable mix of light to working and surrounding surfaces, creating balanced illumination throughout the environment. Occupants can realize a productive and comfortable atmosphere through enhanced light quality and distribution.

Certifications / Regulatory

cULus listed, DLC Premium listed.

Warranty

7-year limited warranty. See complete warranty terms for details.

Quick Ship Product

STL-22A/8A
STL-24A/8A

ORDERING INFORMATION

Sample Number: STL-24A/8A

Series	Length	Lumen Package		CRI	CCT
STL - Volumetric LED Troffer	22 - 2'x2' 24 - 2'x4'	2'x2' STL-22A - 35/25/20W, 4375/3125/2500lm	2'x4' STL-24A - 46/36/28W, 5750/4500/3500lm	8 - 80CRI	A - 5000/4000/3500K Adjustable

Input Voltage	Emergency Backup	Control Option	Accessories
(Blank) - 120-277V C - 120-347V 480 - 480V	EM1000 - 1000lm EM1800 - 1800lm	AWN - Lutron Athena wireless node integral fixture control (RF only) AWNS - Lutron Athena wireless node integral fixture control (RF with daylight and occupancy sensing) *Recommended to be used at heights of 8-12 feet for optimal coverage.	FLK - Flange kit SMK - Surface Mount Kit

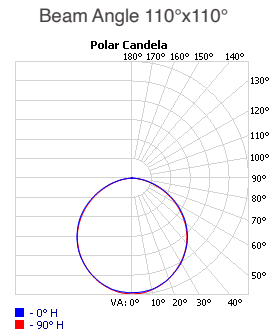
SUMMARY

Input Voltage	120-277V
Input Power	See energy data for details
Power Factor	> 0.95
THD (Max.)	< 20%
Efficacy	125 LPW
Delivered Lumens	See energy data for details
Controls/ Dimming	1-10V dimming standard
Dimming Range	10-100%
CRI	> 80
CCT	3500/4000/5000K Selectable
Operating Temp.	-4°F ~ 133°F (-20°C ~ +55°C)
Rated Life	70,000 hours

ENERGY PERFORMANCE DATA

Form Factor	Part No.	Rated Wattage (W)	Delivered Lumens (lm)	Efficacy (lm/W)
2'x2'	STL-22A/8A	35/25/20	4375/3125/2500	125
2'x4'	STL-24A/8A	46/36/28	5750/4500/3500	125

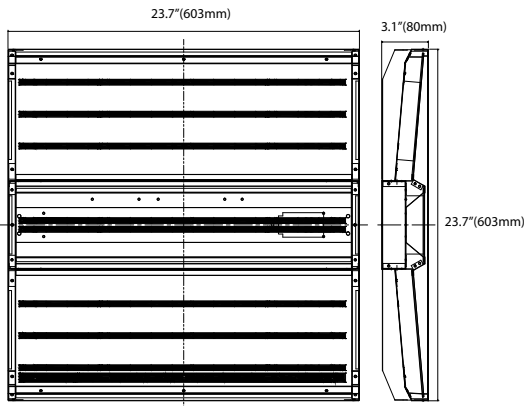
OPTICS



PHYSICAL PARAMETERS

DIMENSION

STL-22



STL-24

