

PROJECT NAME

CATALOG NO.

TYPE

DATE

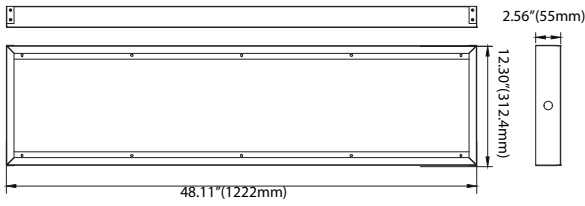
NOTE

SURFACE MOUNT KIT

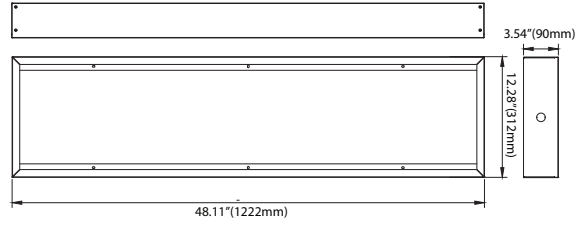
BFPL-SMK

Surface Mount Kit

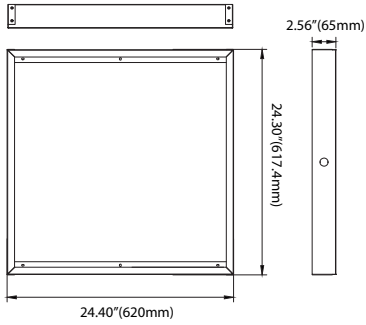
BFPL-SMK-14



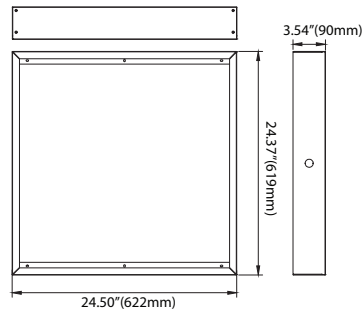
BFPL-SMK-14-EM



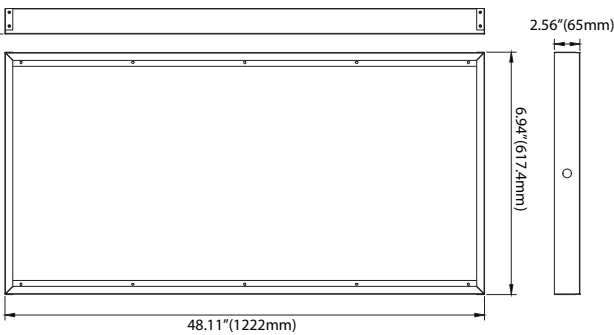
BFPL-SMK-22



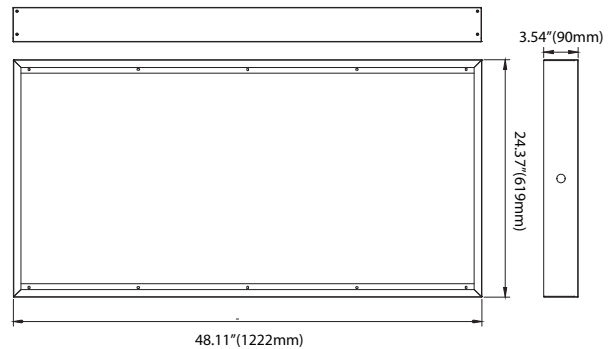
BFPL-SMK-22-EM



BFPL-SMK-24



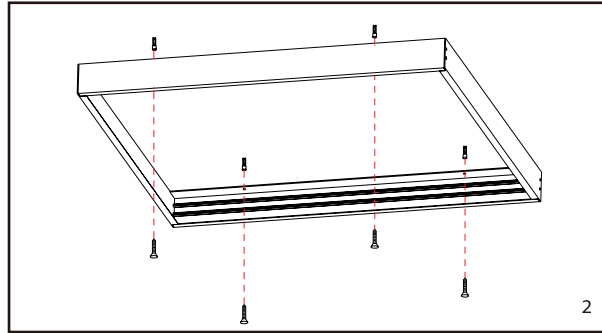
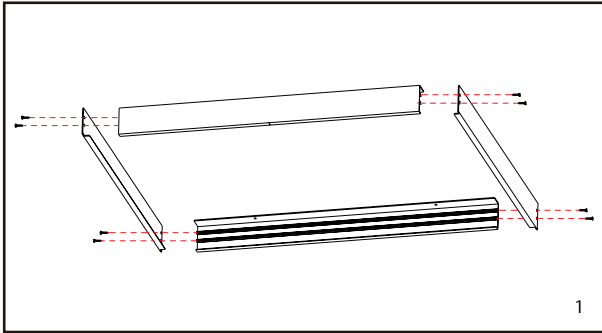
BFPL-SMK-24-EM



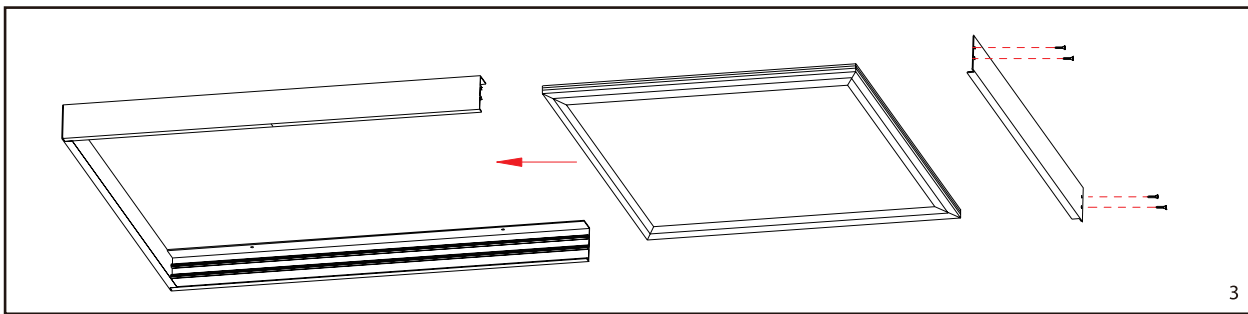
Installation Instructions

Surface Mount Installation Steps (Required additional kit from manufacturer):

1. Put the four pieces of frame together and fix them by screws.
2. Fix the frame onto the wall by screws.

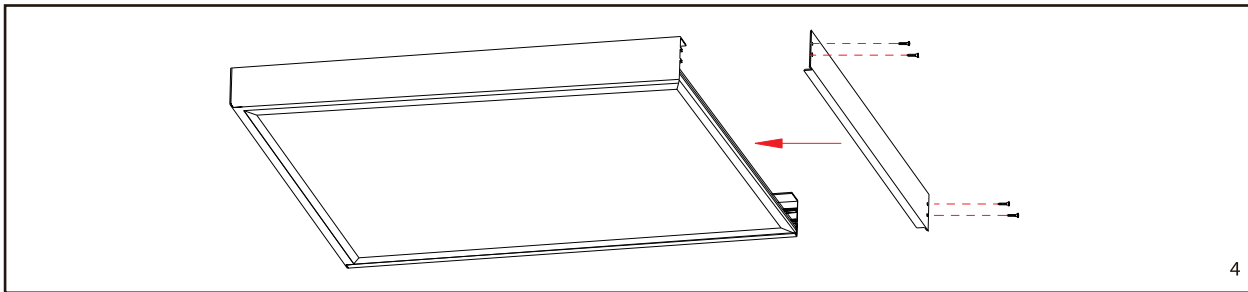


3. Dismantle one piece of frame and put the LED panel into the frame.



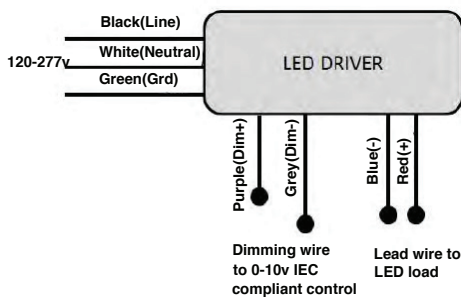
4. Fix the frame by putting back the dismantled part.

Note: The drivers and connector must be fixed to the back of LED panel by adhesive tape.



Wiring Diagram:

Fig. 1



0-10V Dimmable Wiring

Follow the wiring directions as in fig. 1.

1. Connect the black fixture lead to the (+) LINE supply lead.
2. Connect the white fixture lead to the (-) COMMON supply lead.
3. Connect the GROUND wire from fixture to supply ground. Do NOT connect the GROUND of the dimming fixture to the output.
4. Connect the purple fixture lead to the (V+) DIM lead.
5. Connect the gray fixture lead to the (V-) DIM lead.

ON-OFF Wiring

Follow the wiring directions as in fig. 1.

1. Connect the black fixture lead to the LINE supply lead.
2. Connect the white fixture lead to the COMMON/NEUTRAL supply lead.
3. Connect the GROUND wire from fixture to supply ground.