



PROJECT NAME

CATALOG NO.

TYPE

DATE

NOTE

ARCHITECTURAL LED LINEAR-DIRECT

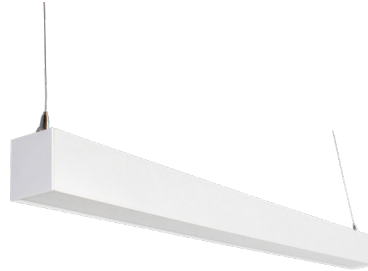
ILA Series LED Linear Luminaires

DESCRIPTION

The Alphalite ILA Series makes it an ideal choice for size-restricted architectural applications. The ILA Series can be the illumination solution in commercial, industrial, retail, and residential applications. Fixtures can be used in storage/utility areas, coves, display cases, shops, tasks, and general area lighting.

APPLICATION

A versatile solution for general purpose applications. Ideal for parking garages, corridors, hallways, stairwells, offices, closets, storage rooms, and spaces that demand energy demand reduction and high-quality light.



SPECIFICATION FEATURES

Benefits

- Lower installation costs and maintenance costs
- Lower energy costs
- High quality light for a more productive space
- Multiple mounting options
- Convenient access to replaceable, standard components reduces life cycle costs

Construction

Housing constructed of extruded aluminum. Polycarbonate diffuser lens provides even and consistent light while eliminating pixelation and glare. Toolless removal of diffuser allows access to LED array, LED module and driver are replaceable. Housing and optics maintain damp location rating with all internal components.

Finish

Highly reflective finish. Baked paint applied after fabrication.

Electrical

Luminaire utilizes long life, high efficacy LEDs and a highly efficient, reliable LED driver. 120V-347V input voltage for increased versatility. 0-10V continuous dimming comes standard. Ideal when used in conjunction with controls and sensors. Comes equipped with a quick disconnect for compliance with US code.

Optics

The LED light engine and integrated optics deliver enhanced light quality and distribution. Diffuser and reflector are designed LED light consistently, reducing glare and pixelation. The Downlight beam angle is 120°.

Certifications / Regulatory

cETLus, IC rated, DLC5.1 Standard Listed. (6FT is not listed)

Warranty

5-year limited warranty. See complete warranty terms for details.

Quick Ship Product

- ILA-4DB(40)-8AK-BK
- ILA-4DB(40)-8AK-WH
- ILA-8DB(70)-8AK-BK
- ILA-8DB(70)-8AK-WH

ORDERING INFORMATION

Sample Number: ILA-2DB(20)-8AK-WH

ILA	2	DB	8	AK	(Blank)	(Blank)	WH
Series	Form Factor	Light Distribution	CRI	CCT	Input Voltage	Optics	Housing Finish
ILA- Architectural LED Linear	2 - 2' 4 - 4' 6 - 6' 8 - 8'	DB(*) - Direct *20 - 2ft in 20 W 40 - 4ft in 40 W 50 - 6ft in 50 W 70 - 8ft in 70 W	8 - 80+ CRI 9 - 90+ CRI	AK - Adjustable CCT (4000/3500/3000K)	(Blank) - 120V-347V	(Blank) - Diffuser P - Parabolic (UGE<16)	WH - White BK - Black SA - Silver

Options

L/T/X shape fixture or connector

- ILA-LDB(20) - L shape connector
- ILA-TDB(30) - T shape connector
- ILA-XDB(40) - X shape connector

Accessories

- ILA-CRD7-(WH/BK) - 7ft 18AWG 5wires AC cable in (white or black) color with connector
- ZCN-ILA-xFT - Fixture end connector kit, x=ft
- ILA-UCOVER-(WH/BK) - U cover for connection, 100% no light leak
- Emergency Back-up (>90 minutes)
- EM700 - 700 lm
- EM1400 - 1400 lm

Mounting

Suspension Mount

- ILA-ACC - 6.5ft Aircraft cable without canopy (2sets for 2/4/6/8ft, 3sets for linked 2 fixtures)
- ILA-PSCA-CRD7-(WH/BK) - Canopy with AC cable K/O + AC cable + 6.5ft aircraft cable
- ILA-SCA-(WH/BK) - Canopy + 6.5ft aircraft cable

Pendant Mount

- ILA-PMK-(WH/BK) - Pendant mount kit, suitable for 3/8" and 1/2" stem (Stem not included) (2sets for 2/4/6/8ft, 3sets for linked 2 fixtures)

Wall Mount

- ILA-WMKB-(WH/BK) - B version wall mount kit (Factory modification required)
- ILA-WMKC-xFT-(WH/BK) - C version wall mount kit

Surface Mount

- ILA-SMK-xFT-(WH/BK) - Surface mount kit
- Ceiling Recessed Mount
- ILA-TRIMS-xFT-(WH/BK) - Trim for recessed mount (2sets for 2/4/6/8ft, 3sets for linked 2 fixtures)
- ILA-TRIMS-xFT-(WH/BK) - Trim for recessed mount (2sets for 2/4/6/8ft, 3sets for linked 2 fixtures)
- ILA-TR - T-bar recessed mount kit (TRIMS optional) (2sets for 2/4/6/8ft, 3sets for linked 2 fixtures)
- ILA-FR - Frange recessed mount kit (TRIMS optional) (2sets for 2/4/6/8ft, 3sets for linked 2 fixtures)



SUMMARY

Input Voltage	120-347V
Input Power	See energy data for details
Efficiency	See energy data for details
Color Temp.	4000K/3500K/3000K Selectable
CRI	>80
Power Factor	>0.90
Dimmable	0-10V
Dimming Range	10-100%
Operating Temp.	-22°F to 122°F (-30°C to 50°C)
Rated Life	50,000 hours

ENERGY PERFORMANCE DATA

Part No.	Housing Finish	Rated Wattage(W)	Delivered Lumen(lm)	Efficacy (lm/W)
ILA-2DB(20)-8AK	WH	20	2600	120
	BK		2340	117
	SA		2470	123.5
ILA-4DB(40)-8AK	WH	40	5200	130
	BK		4680	117
	SA		4940	123.5
ILA-6DB(50)-8AK	WH	50	6500	130
	BK		5850	117
	SA		6175	123.5
ILA-8DB(70)-8AK	WH	70	9100	130
	BK		8190	117
	SA		8645	123.5

OPTICS

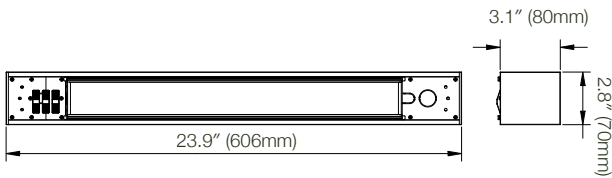
PARABOLIC



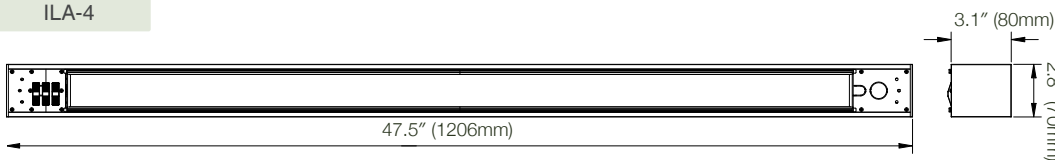
PHYSICAL PARAMETERS

DIMENSION

ILA-2

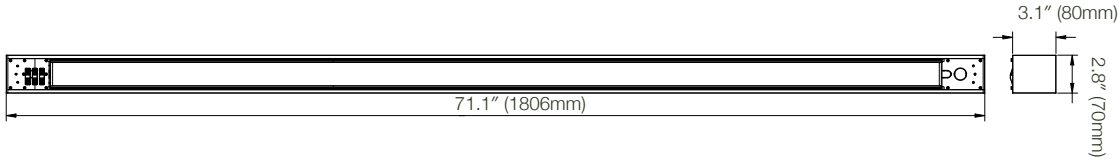


ILA-4

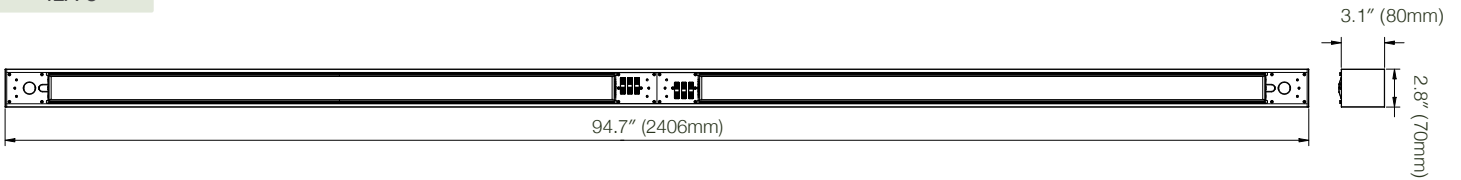


DIMENSION

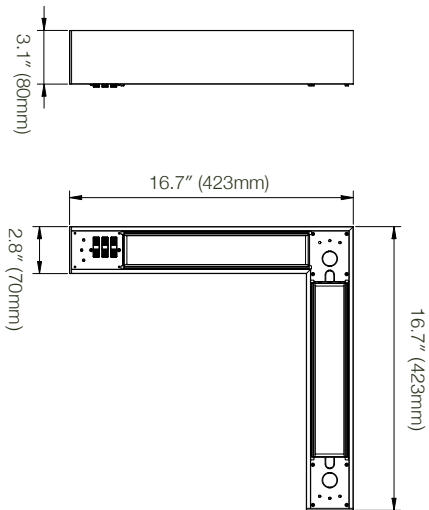
ILA-6



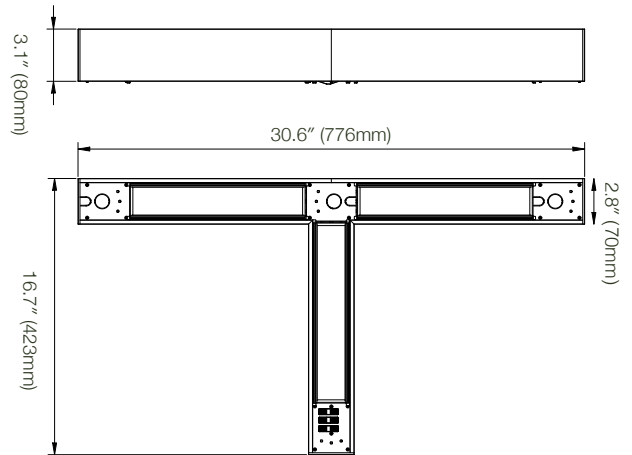
ILA-8



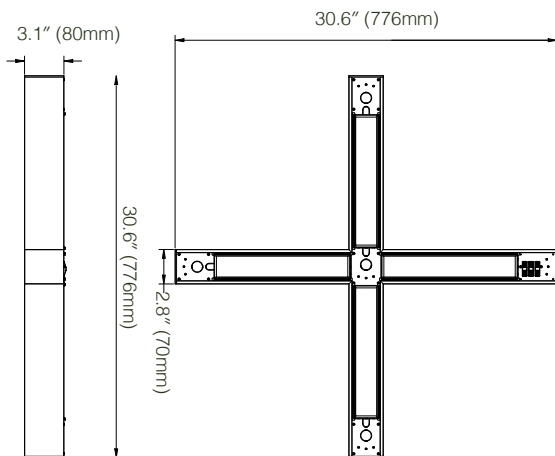
ILA-L



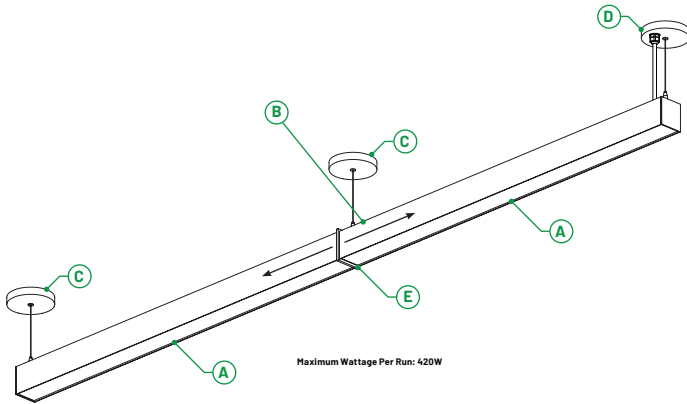
ILA-T



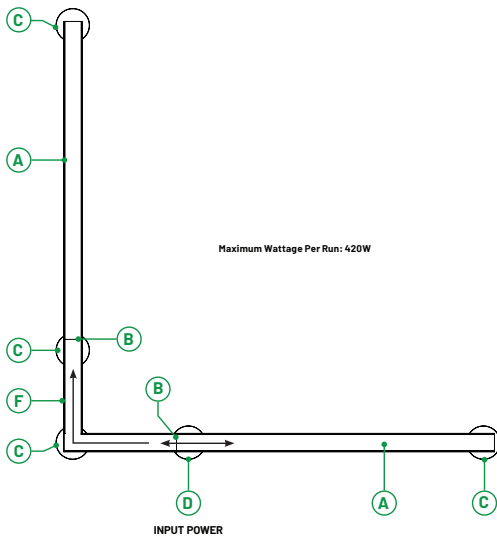
ILA-X



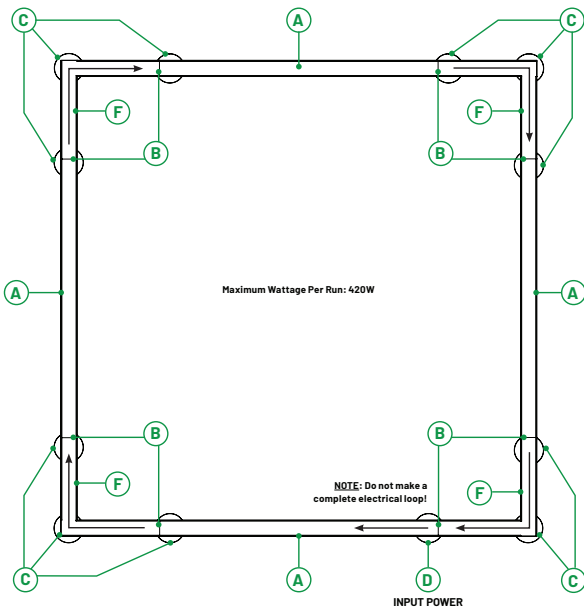
LINEAR MULTI-DIRECTIONAL LAYOUT



	Part Number	Description	Quantity
A	ILA-2/4/6/8ft	ILA Linear Direct/Indirect Fixture	2
B	ZCN-ILA-xFT	Fixture End Linkable Connector Kit, x=ft	1
C	ILA-SCA	Surface Canopy + 6.5ft Aircraft Cable	2
D	ILA-PSCA-CRD7	Surface Canopy with AC cable K/O + 6.5ft Aircraft Cable + 18CWG 600V 5 wires 7ft AC Cable	1
E	ILA-UCOVER	U-cover(Optional)	1



	Part Number	Description	Quantity
A	ILA-2/4/6/8ft	ILA Linear Direct/Indirect Fixture	2
B	ZCN-ILA-xFT	Fixture End Linkable Connector Kit, x=ft	2
C	ILA-SCA	Surface Canopy + 6.5ft Aircraft Cable	4
D	ILA-PSCA-CRD7	Surface Canopy with AC cable K/O + 6.5ft Aircraft Cable + 18CWG 600V 5 wires 7ft AC Cable	1
F	ILA-LDXXX	L-Connector	1



	Part Number	Description	Quantity
A	ILA-2/4/6/8ft	ILA Linear Direct/Indirect Fixture	4
B	ZCN-ILA-xFT	Fixture End Linkable Connector Kit, x=ft	8
C	ILA-SCA	Surface Canopy + 6.5ft Aircraft Cable	11
D	ILA-PSCA-CRD7	Surface Canopy with AC cable K/O + 6.5ft Aircraft Cable + 18CWG 600V 5 wires 7ft AC Cable	1
F	ILA-LDXXX	L-Connector	4