



PROJECT NAME

CATALOG NO.

TYPE

DATE

NOTE

## ARCHITECTURAL LED LINEAR-DIRECT & INDIRECT

## ILA Series LED Linear Luminaires

### DESCRIPTION

The Alphalite ILA Series makes it an ideal choice for size-restricted architectural applications. The ILA Series can be the illumination solution in commercial, industrial, retail, and residential applications. Fixtures can be used in storage/utility areas, coves, display cases, shops, tasks, and general area lighting.

### APPLICATION

A versatile solution for general purpose applications. Ideal for parking garages, corridors, hallways, stairwells, offices, closets, storage rooms, and spaces that demand energy demand reduction and high-quality light.



### SPECIFICATION FEATURES

#### Benefits

- Lower installation costs and maintenance costs
- Lower energy costs
- High quality light for a more productive space
- Multiple mounting options
- Convenient access to replaceable, standard components reduces life cycle costs

#### Construction

Housing constructed of extruded aluminum. Polycarbonate diffuser lens provides even and consistent light while eliminating pixelation and glare. Toolless removal of diffuser allows access to LED array. LED module and driver are replaceable. Housing and optics maintain damp location rating with all internal components.

#### Finish

Highly reflective finish. Baked paint applied after fabrication.

#### Electrical

Luminaire utilizes long life, high efficacy LEDs and a highly efficient, reliable LED driver. 120V-347V input voltage for increased versatility. 0-10V continuous dimming comes standard. Ideal when used in conjunction with controls and sensors. Comes equipped with a quick disconnect for compliance with US code.

#### Optics

The LED light engine and integrated optics deliver enhanced light quality and distribution. Diffuser and reflector are designed LED light consistently, reducing glare and pixelation. The Downlight beam angle is 120°.

#### Certifications / Regulatory

ETL/cETL, IC rated, DLC on 2', 4' and 8' only

#### Warranty

5-year limited warranty. See complete warranty terms for details.

### Quick Ship Product



## ORDERING INFORMATION

Sample Number: ILA-2DIDB(30)-8AK-WH

ILA	2	DIDB	8	A	(Blank)	(Blank)	WT
<b>Series</b>	<b>Form Factor</b>	<b>Light Distribution</b>	<b>CRI</b>	<b>CCT</b>	<b>Input Voltage</b>	<b>Optics</b>	<b>Housing Finish</b>
ILA - Architectural LED Linear	2 - 2' 4 - 4' 6 - 6' 8 - 8'	DB(*) - Direct *30 - 2ft in 20 W Direct & 10W Indirect 50 - 4ft in 35 W Direct & 15W Indirect 80 - 6ft in 50 W Direct & 30W Indirect 100 - 8ft in 70 W Direct & 30W Indirect	8 - 80+ CRI 9 - 90+ CRI	AK - Adjustable CCT (4000/3500/3000k)	(Blank) - 120V-347V	(Blank) - Diffuser D - Diffuser P - Parabolic (UGE<16)	WH - White BK - Black SA - Silver

### Options

#### Accessories/Controls

- ZCN-ILA-xFT - Fixture End Connector Kit, x=ft
- CRD7-(WH/BK) - 7ft 18AWG 600V 5 wires AC cable in (white or black) color
- MMS-12V - Step dimming microwave motion sensor

#### Connector Options

- ILA-LDIDC(30) - L-Connector
- ILA-TDIDC(40) - T-Connector
- ILA-XDIDC(50) - X-Connector

#### Mounting

- ILA-ACC - Suspension 6.5ft Air Craft Kit(Set of 2)
- PSCA-(WH/BK) - Surface Canopy with AC cable K/O, (white or black) color + 6.5ft Aircraft cable
- SCA-(WH/BK) - Surface Canopy, (white or black) color + 6.5ft Aircraft cable
- WM-xFT - Wall Mount Kit

#### Emergency Backup

- (Lumen will maintain over the 90-minute duration)
- EM700 - 700lm
- EM1400 - 1400lm
- EM2000 - 2000lm

SUMMARY

Input Voltage	120V-347V
Input Power	See energy data for details
Efficiency	See energy data for details
Color Temp.	CCT Adjustable(4000K/3500K/3000K)
CRI	> 80
Power Factor	> 0.90
Dimmable	0-10V
Dimming Range	10-100%
Operating Temp.	-22°F to 122°F (-30°C to 50°C)
Rated Life	50,000 hours

ENERGY PERFORMANCE DATA

Part No.	Housing Finish	Rated Wattage(W)	Delivered Lumen(lm)	Efficacy (lm/W)
ILA-2DIDB(30)-8AK	WH	20W Direct & 10W Indirect	4434	120
	BK		3510	117
	SA		3705	123.5
ILA-4DIDB(50)-8AK	WH	35W Direct & 15W Indirect	6500	130
	BK		5850	117
	SA		6175	123.5
ILA-6DIDB(80)-8AK	WH	50W Direct & 30W Indirect	10400	130
	BK		9360	117
	SA		9880	123.5
ILA-8DIDB(100)-8AK	WH	70W Direct & 30W Indirect	13000	130
	BK		11700	117
	SA		12350	123.5

OPTICS

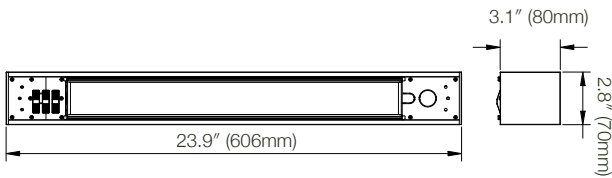
PARABOLIC



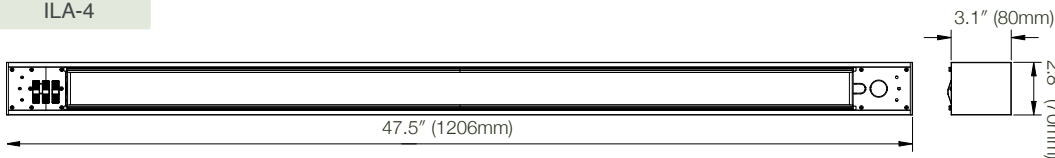
PHYSICAL PARAMETERS

DIMENSION

ILA-2

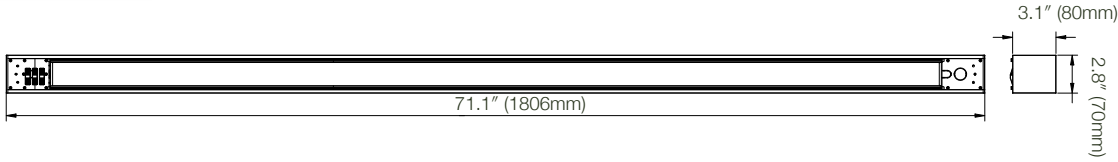


ILA-4

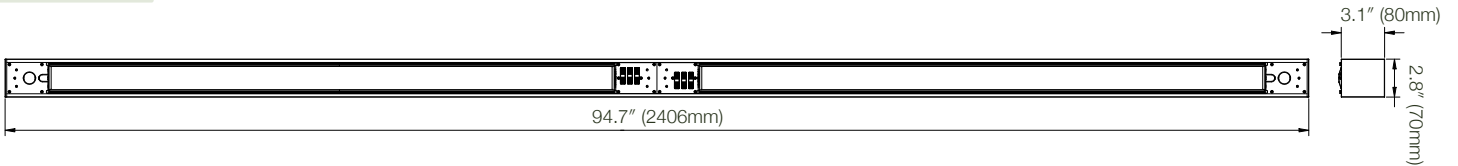


DIMENSION

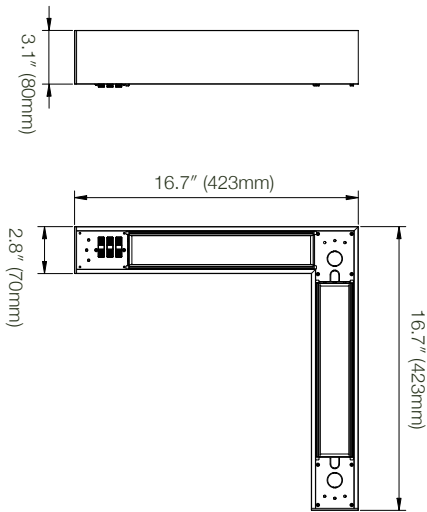
ILA-6



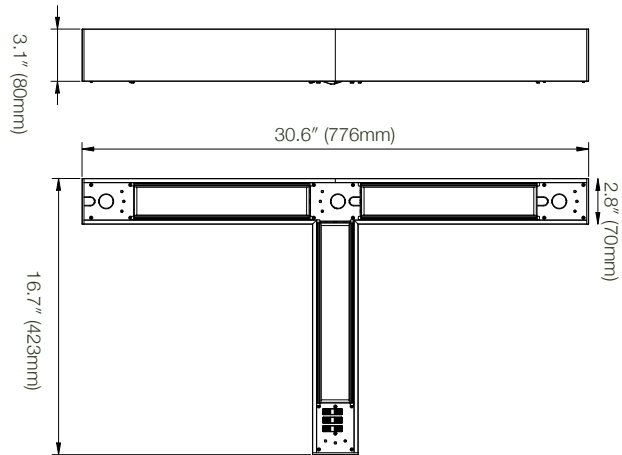
ILA-8



ILA-L



ILA-T



ILA-X

