



PROJECT

TYPE

DATE

ITEM NO.

NOTE

HIGH EFFICACY LED HIGH BAY

HEBS Series

High / Low Bay

DESCRIPTION

The HEBS Series High Efficacy Linear LED High Bay delivers high lumen output, long life, economic solution, and no restrike time. This energy-efficient LED luminaire offers one-to-one replacement of existing HID or fluorescent high bays. Precision-formed reflectors delivers adequate light in high mounting applications. Modular driver and LED arrays. Economic solution to optimize payback. Capable of being operated with occupancy sensor.



APPLICATION

Various commercial industrial applications with high ceilings: warehouse, manufacturing facilities, retail, gymnasiums, grocery.

SPECIFICATION FEATURES

Construction

Rigid, low-profile steel housing. Precision-engineered and manufactured optics to optimize light delivery to the working plane. Convenient mounting options and sufficient knockouts for controls integration and multiple connection options. Housing features radiator slots for heat dissipation and low temperature LED operation. LED module and driver are replaceable. Housing and optics maintain damp location rating with all internal components.

Electrical

Luminaire utilizes long life, high efficacy LEDs and a highly efficient, reliable LED driver. 120-277V input voltage for increased versatility. 0-10V continuous dimming comes standard. Ideal when used in conjunction with controls and sensors. Comes equipped with quick disconnect for compliance with US code. Integral PIR and microwave sensors options.

Mounting

Comes standard with V-hook and chain. Various mounting options available: surface, suspension, air craft cable, and 3/8" NPT pendant mount.

Optics

Die formed, 95% reflectivity optical reflectors optimizes performance and light delivery. Comes standard with high transmission frosted lens.

Certifications / Regulatory

cULus Listed for damp locations, DLC5.1 Premium Listed.

Finish

Highly reflectivity finish. Baked white paint, applied after fabrication.

Warranty

7-year limited warranty. See complete warranty terms for details.

Quick Ship Product

HEBS-2(160/140/120)/850-12V
HEBS-4(230/195/160)/850-12V
HEBS-4(400/360/270)/850-12V

ORDERING INFORMATION

Sample Number: HEBS-2(160/140/120)/850-12V

Series	Length	Lumen Package		CRI	CCT	Auxiliary Power
HEBS - High Efficacy LED High Bay	2 - 2'	2'	4'	8 - 80CRI	40 - 4000K 50 - 5000K	(Blank) - without aux 12V 12V - with aux 12V
	4 - 4'	2(160/140/120) - 160/140/120W, 24000/21000/18000lm	4(230/195/160) - 230/195/160W, 34500/29250/24000lm 4(400/360/270) - 400/360/270W, 60000/54000/40500lm			

Input Voltage	Control Option	Emergency Backup
(Blank) - 120-277V C - 120-347V 480 - 480V	MMS-DC-PIR4T - Bi-level dimming PIR motion sensor and daylight switch, field install in 5 seconds (Required RC-100 Sensor Configuration Tool) MMS-DC4T - Bi-level dimming microwave motion sensor and daylight switch, field install in 5 seconds (Required RC-100 Sensor Configuration Tool) SMC - Smart Control System SPD - 10KV Surge Protection Device: SPD-(10/20KV)-ZP	EM15W - 15W constant power with integrated self-diagnostic test EM700 - 700lm EM1400 - 1400lm EM2000 - 2000lm

Assembly in USA	Accessories
(Blank) - Non-BAA BAA - Assembly in USA	WG - Wire Guard (see pg. 3 for details) PMK - Single-point pendant mount kit ACC - Aircraft cable suspension kit SMK - Surface Mount Kit

SUMMARY

Input Voltage	120-277V
Input Frequency	50/60 Hz
Power Factor	> 0.95
THD (Max.)	20%
Efficacy	150 LPW
Controls/ Dimming	Full Range 0-10V dimming standard
Dimming Range	10-100%
CRI	82
CCT	4000K and 5000K
Operating Temp.	-4°F to 122°F (-20°C to 50°C)
Rated Life	70,000 hours

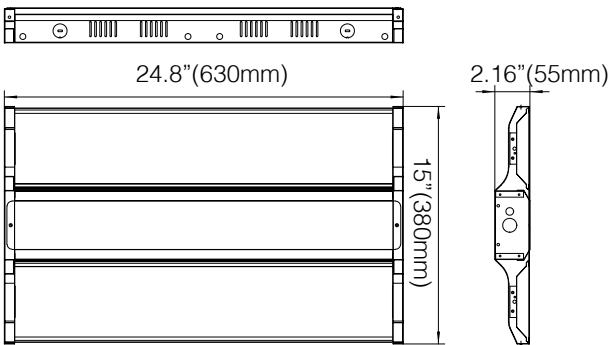
ENERGY PERFORMANCE DATA

Form Factor	Part No.	Rated Wattage (W)	Delivered Lumens (lm)	Efficacy (lm/W)
2' Frosted Lens	HEBS-2(160/140/120)/840	160/140/120	24000/21000/18000	150
	HEBS-2(160/140/120)/850			
4' Frosted Lens	HEBS-4(230/195/160)/840	230/195/160	34500/29250/24000	150
	HEBS-4(230/195/160)/850			
	HEBS-4(400/360/270)/840	400/360/270	60000/54000/40500	150
	HEBS-4(400/360/270)/850			

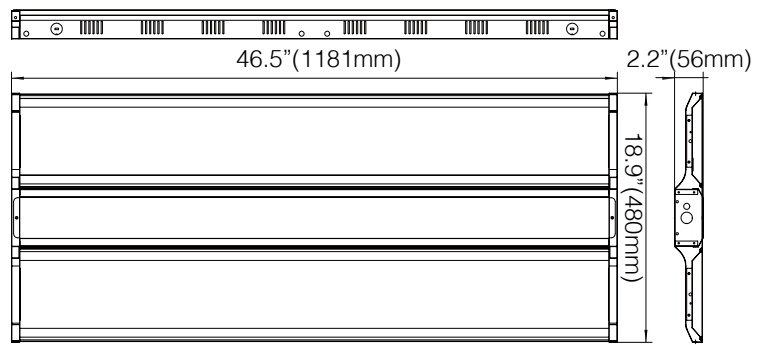
PHYSICAL PARAMETERS

DIMENSION

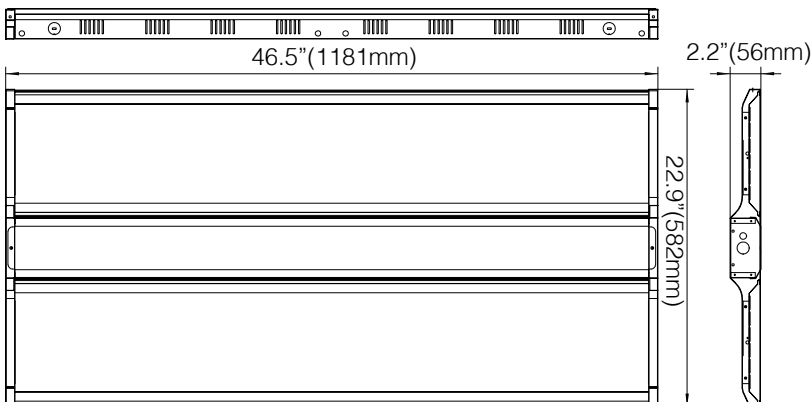
HEBS-2(160/140/120)



HEBS-4(230/195/160)



HEBS-4(400/360/270)



CONTROLS (Field install in 5 seconds)

MMS-DC-PIR4T



MMS-DC4T

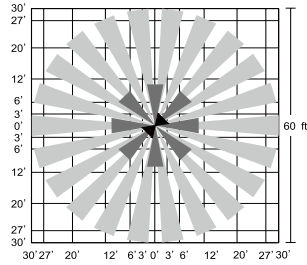
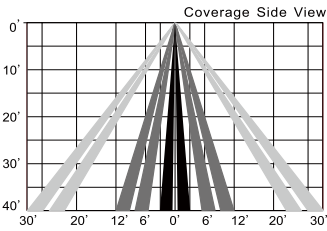


RC-100

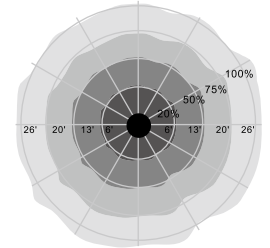
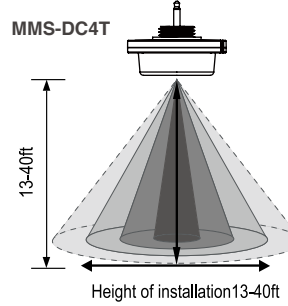


COVERAGE

MMS-DC-PIR4T

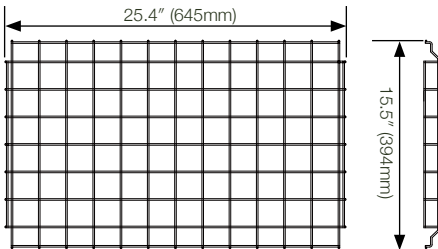


MMS-DC4T

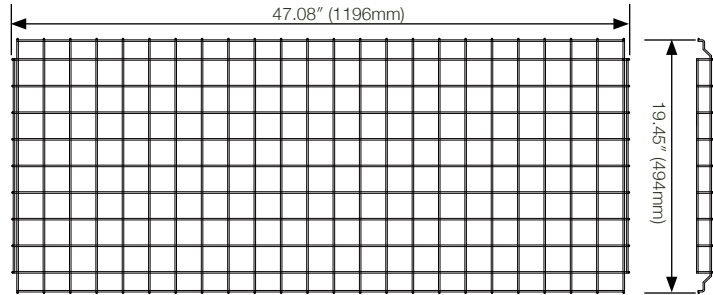


WIRE GUARD

HEBS-WG-2FT1.3W for HEBS-2



HEBS-WG-4FT1.6W for HEBS-4(230/195/160)



HEBS-WG-4FT1.9W for HEBS-4(400/360/270)

