



PROJECT NAME

CATALOG NO.

TYPE

DATE

NOTE

LED SLIM HIGH PERFORMANCE AREA LUMINAIRE FULL CUTOFF LIGHT DARK SKY VERSION

ALSF Series
Area Luminaires

DESCRIPTION

The ALSF Series LED Area Luminaire is a high-performance, IP65-rated luminaire that produces a minimum of 160 lumens per watt, providing significant energy savings while remaining durable in the field. The lightweight design can be easily installed for new and retrofit outdoor applications and is available in a wide range of lumen packages to replace traditional metal halide lighting from 150W to 1000W. It can also be combined with a full, architectural-grade LED sample to create a wide range of total site solutions.

APPLICATION

The ALSF Series is ideal for parking structures, auto dealerships, recreational spaces, roadways, and outdoor aisles.



SPECIFICATION FEATURES

Construction

The housing is die-cast weather-tight LED driver compartment heat sink to obtain the maximum thermal dissipation. Outer surface treated with durable powder coating to provide resistance to corrosion, rust, weathering, and UV degradation. Rated IP65, suitable for wet locations. 4KV surge protection and shorting cap comes standard.

Mounting

ALSF offers different mounting options, including adjustable slip fitter, round pole mount for 4"-5" pole, square pole mount for 4" or larger pole, and adjustable trunion U-bracket. EPA rating is 0.41 sq.ft.(w/ pole mount)

Controls

Suitable for use with photocell and High/Low/Off microwave fixture-integrated motion sensor to achieve deeper energy-savings and code compliance.

Electrical

Luminaire utilizes long life, high efficacy LEDs and reliable LED driver. Operating temperatures is -40°F-104°F and 120V-277V input voltage for increased versatility.

Optics

Precision-formed optical lens system reduces glare and improves safety and security by delivering high efficiency illumination with precise optical distribution. Type III distribution comes standard. Type IV, and Type V optics available upon request. Full cutoff light fixture.

Certifications / Regulatory

cULus listed. All components used have UL approval. IP65 rated.

Warranty

7-year limited warranty. See complete warranty terms for details.

Quick Ship Product



ORDERING INFORMATION

Sample Number: ALSFL-130/50K

ALSF	L	130	50K	(Blank)	(Blank)	(Blank)	(Blank)
Series	Wattage	Lumen Package	CCT	Input Voltage	Beam Angle	Dimming	Finish Color
ALSF- LED Slim High Performance Area Luminaire Full Cutoff Light Dark Sky Version	L- Low Wattage H- High Wattage	63 - 63W 93 - 93W 130 - 130W 140 - 140W 196 - 196W 235 - 235W 255 - 255W 258 - 258W	30K - 3000K 40K - 4000K 50K - 5000K	(Blank) - 120V-277V C - 120-347V H - 347-480V *See notes below	(Blank) - Type III T4 - Type IV T5 - Type V	(Blank) - 0-10V Continuous Dimming	(Blank) - Dark Bronze WH - White BK - Black *See notes below

Options

NOTES

Input Voltage: Custom input voltage available. Contact your Alphalite representative for added cost, quantities and lead times.

Finish Color: Custom finish color available. Contact your Alphalite representative for added cost, quantities and lead times.

Accessories

- ALSFL-HSS - House Side Shield For ALSFL
- ALSFH-HSS - House Side Shield For ALSFH

Mounting

- MA SF - Adjustable Slip-fitter
- MRPM - Round Pole Mount for 4" to 5"
- MSPM - Square Pole Mount for 4 or larger
- MAUB - Adjustable Trunion U-bracket

Controls and Other

- PS - Photocell Sensor
- SPD - 10KV Surge Protection Device
- MMS - Multifunction Motion Sensor (Motion detection/Photocell/Dimming)
- Remarks:** Sensor configuration tool remote control required, not included

SUMMARY

Input Voltage	120V-277V
Input Power	See energy data for details
Power Factor	> 0.9
THD (Max.)	<20%
Efficacy	>160 LPW
Delivered Lumens	See energy data for details
Controls/ Dimming	0-10V
CRI	>70
CCT	3000K, 4000K, 5000K
Operating Temp.	-40°F ~ 104°F (-40°C ~ +40°C)
Rated Life	70,000 hours
IP Grade	IP65

ENERGY PERFORMANCE DATA

* H 347-480Vac input version

Part No.	Rated Wattage (W)	Delivered Lumens (lm)	Efficacy (lm/W)
ALSFL-63	63	10,170	161
ALSFL-93	93	14,820	159
ALSFL-130	130	20,878	160
ALSFL-140*	140	22,718	162
ALSFH-196	196	30,122	154
ALSFH-235	235	39,692	169
ALSFH-255*	255	42,237	165
ALSFH-258	258	42,696	166

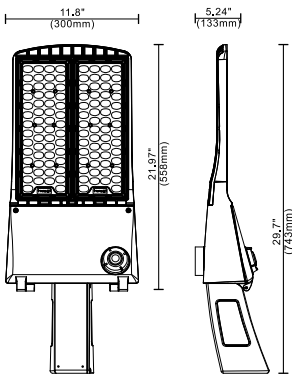
MOUNTING INFORMATION



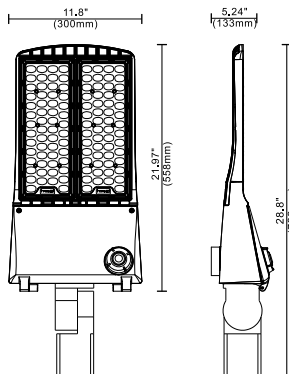
PHYSICAL PARAMETERS

DIMENSION

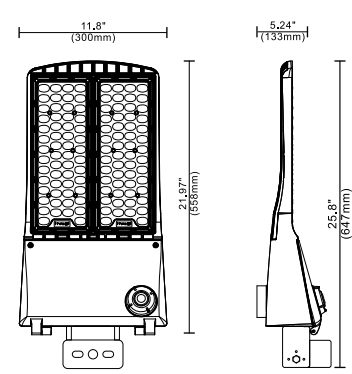
ALSFL with Pole Mount



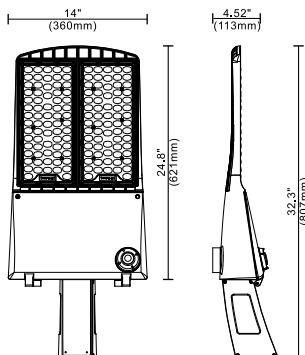
ALSFL with Slip Fitter



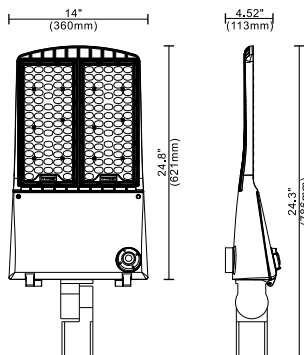
ALSFL with Trunion



ALSFH with Pole Mount



ALSFH with Slip Fitter



ALSFH with Trunion

