



PROJECT NAME

CATALOG NO.

TYPE

DATE

NOTE

BACKLIT LED FLAT PANEL

BFPL-S Series

Panels and Troffers

DESCRIPTION

The Alphalite Backlit LED Flat Panel combines the benefits of long life, controllability, and energy savings with elegant design and superior quality of light. The BFPL luminaires optimize LED optics and electronics to deliver energy savings and high performance.

APPLICATION

Indoor general/ambient illumination. Idea for offices, schools, retail, and other architectural spaces that demand energy reduction and high quality light.



SPECIFICATION FEATURES

Construction

Rugged construction: solid high quality 23 gauge steel housing and aluminum frame with great heat dissipation and low light degradation. Rated as vibration and impact resistance. With PMMA wide beam angle optic and high transmittance PS diffuser, uniformity of BFPL luminaires reach up to 85%. Housing and optics maintain damp location rating with all internal components.

Electrical

Luminaire utilizes long life, high efficacy LEDs and a highly efficient, reliable and flicker-free LED driver. 120V-277V input voltage for increased versatility. 0-10V continuous dimming comes standard. Ideal when used in conjunction with controls and sensors.

Mounting

Installs recessed with T-bar grid.

Finish

Highly reflective powder coat finish. Baked white matte paint, applied after fabrication.

Optics

Uniformity light achieved by delivering a comfortable mix of light to working and surrounding surfaces, creating balanced illumination throughout the environment. Occupants can realize a productive and comfortable atmosphere through enhanced light quality and distribution.

Certifications / Regulatory

UL/cUL listed. All components used have UL approval. UL Class 2. Power supply: SCP, OTP, OVP protection, FCC Part 15 Class B, UL8750 Class 2. IC rated. DLC Premium listed.

Warranty

7-year limited warranty. See complete warranty terms for details.

Quick Ship Product

- BFPL-24L(35/30/23S)/8A
- BFPL-24H(60/50/40S)/8A
- BFPL-22L(30/25/20S)/8A
- BFPL-14L(30/25/20S)/8A

ORDERING INFORMATION

Sample Number: **BFPL-24L(35/30/23S)/8A**

BFPL	24	H	8	A	(Blank)	(Blank)
Series BFPL - Backlit LED Flat Panel	Form Factor 22 - 2'x2' 24 - 2'x4' 14 - 1'x4'	Lumen Package LA - Low Wattage Adjustable Wattage HA - High Lumen Adjustable Wattage *See energy data for details	CRI 8 - 82+ CRI	CCT A - Adjustable CCT 5000/4000/3500K	Input Voltage (Blank) - 120V-277V C - 120V-347V	Dimming (Blank) - 0-10V Continuous Dimming

Options

Driver Options

CT - Cold temperature driver, -40°F-131°F(-40°C-55°C)

Accessories

FLK - Flange Kit for Drywall
SMK - Surface Mount Kit
BFPL-SACC - Suspension Kit

Controls

12V-MMS - Integrated 12V step dimming microwave motion sensor
SMC - Smart Control System

Emergency Backup

(Lumen will maintain over the 90-minute duration)
EM700 - 700lm
EM1400 - 1400lm
EM2000 - 2000lm

Assembly in USA

BAA - assembly in USA

SUMMARY

Input Voltage	120V-277V
Input Power	See energy data for details
Power Factor	> 0.95
THD (Max.)	20%
Efficacy	> 125 LPW
Delivered Lumens	See energy data for details
Controls/ Dimming	Full Range 0-10V dimming standard
Dimming Range	0-10V Continuous (10-100%)
CRI	> 83
CCT	3500K, 4000K, 5000K
Operating Temp.	-4 °F ~ 131 °F (-20 °C ~ +55 °C)
Rated Life	70,000 hours

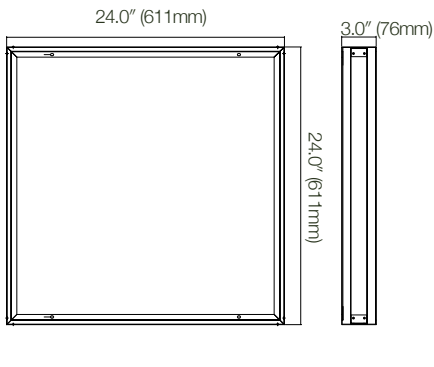
ENERGY PERFORMANCE DATA

Form Factor	Part No.	Rated Wattage (W)	Tested Wattage (W)	Delivered Lumens (lm)	Efficacy (lm/W)
2'x2'	BFPL-22L(30/25/20S)/8A	30/25/20	30/25/20	3750/3125/2500	125
2'x4'	BFPL-24L(35/30/23S)/8A	35/30/23	35/30/23	4375/3750/2875	125
	BFPL-24H(60/50/40S)/8A	60/50/40	60/50/40	7500/6250/5000	125
1'x4'	BFPL-14L(30/25/20S)/8A	30/25/20	30/25/20	3750/3125/2500	125

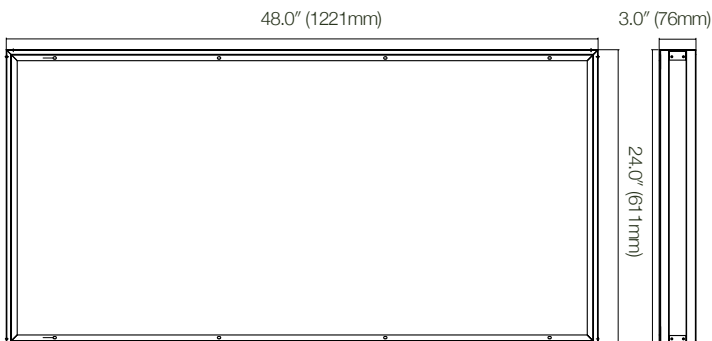
PHYSICAL PARAMETERS

DIMENSION

BFPL-S-22



BFPL-S-24



BFPL-S-14

