



PROJECT NAME

CATALOG NO.

TYPE

DATE

NOTE

LED FULL CUTOFF WALL PACK

WPA-A Series Wall Luminaires

DESCRIPTION

The Alpha Series LED wall pack is a modern and versatile, integrated LED solution that delivers long life and energy savings within a slim, low profile design. The rugged housing offers advanced thermal management and protection against outdoor environments without compromising aesthetics.

APPLICATION

Outdoor wall-mount applications. Building facade. Commercial, industrial, retail, hospitality buildings that demand long service life and low maintenance.



SPECIFICATION FEATURES

Construction

Rugged die-cast aluminum housing withstands outdoor environments. Outer surface treated with durable powder coating to provide resistance to corrosion, rust, weathering, and UV degradation. Available in various color finishes. Performance-engineered, integral heat dissipation fins provides superior thermal management for long life and reliability. Housing and optics maintain IP65 and impact resistance rating.

Electrical

Luminaire utilizes long life, high efficacy LEDs and a highly efficient, reliable LED driver. 120V-277V input voltage for increased versatility. Photosensor option available. For higher lumen, high mounting height models, dimming option available. Comes equipped with quick disconnect for compliance with US code.

Standard Surge Protection: Line to Line 4KV, Line to Ground 6KV.

Optics

Precision-moulded lenses provide various photometric distributions depending on application. LED lenses optimize performance and increase delivered light to desired areas.

Finish

Outer surface treated with durable powder coating to provide resistance to corrosion, rust, weathering, and UV degradation. Available in various color finishes.

Mounting

Luminaire mounting designed for standard J-Box. Can be mounted directly to surface. Features multiple conduit entries.

Certifications / Regulatory

cULus listed. All components have safety approvals.

Warranty

5-year limited warranty. See complete warranty terms for details.

Quick Ship Product

WPA-60A/8A

WPA-120A/8A

ORDERING INFORMATION

Sample Number: WPA-60A/8A

WPA	60A	8A	(Blank)	(Blank)	(Blank)
Series WPA -LED Full Cutoff Wall Pack	Lumen Package 60A - 60/40/25W 120A - 120/100/80W Adjustable *See energy data for details	CCT 8 - CRI 82 A - 5000/4000/3000K Adjustable	Input Voltage (Blank) - 120-277V C - 120-347V	Distribution (Blank) - Type IV	Finish Color (Blank) - Dark Bronze BK - Black WH - White

Options

NOTES

Input Voltage: Custom input voltage available. Contact your Alphalite representative for added cost, quantities and lead times.

Finish Color: Custom finish color available. Contact your Alphalite representative for added cost, quantities and lead times.

Controls

PS - Photosensor
MMS - Microwave Motion Sensor
PIR - Passive Infrared Sensor

SPD - Surge protective device (discharge current nominal 10KA)

Remarks: Sensor configuration tool remote control required, not included

Emergency Backup

(Lumen will maintain over the 90-minute duration)

EM2000 - 2000lm *

*only available for WPA-120A housing

SUMMARY

Input Voltage	120-277V
Input Power	See energy data for details
Power Factor	> 0.90
THD (Max.)	<20%
Efficacy	>130 LPW
Delivered Lumens	See energy data for details
Controls/ Dimming	0-10V dimming
CRI	> 80
CCT	5000/4000/3000K Selectable
Operating Temp.	-40°F~+122°F (-40°C ~ +50°C)
Rated Life	50,000 hours
IP Grade	IP65
BUG Rating	B2-U0-G2 for 60A, B3-U0-G2 for 120A

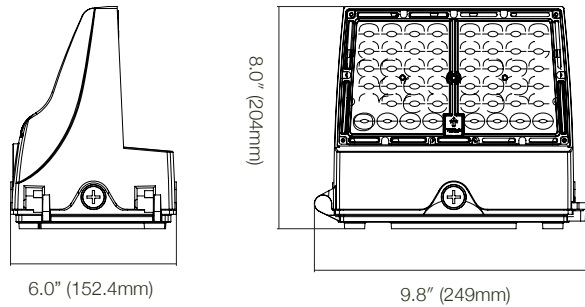
ENERGY PERFORMANCE DATA

Part No.	Rated Wattage (W)	Delivered Lumens (lm)	Efficacy (lm/W)
WPA-60A/8A	60/40/25	7800/5200/3250	130
WPA-120A/8A	120/100/80	15600/13000/10400	130

PHYSICAL PARAMETERS

DIMENSION

WPA-60A



WPA-120A

