



PROJECT

TYPE

DATE

ITEM NO.

NOTE

LED COMMERCIAL DOWNLIGHT

ASDL Series

Downlight

DESCRIPTION

The ASDL Series LED Commercial Downlight is an economical all-in-one solution for recessed down lighting for commercial lighting applications. Easy to install in new construction and replace most manufacturers incandescent, CFL or HID fixtures. ASDL series comes in 4", 6", 8", and 10" trim with beam angle 80° and 90°.

APPLICATION

Indoor general/ambient illumination. Idea for offices, hotels, retailers, and other architectural spaces that demand energy demand reduction and high quality light.



SPECIFICATION FEATURES

Construction

ASDL Series is built with easy conversion method and installation can be performed from below the ceiling without removing existing fixture. Aluminum housing and PC lens optics maintain wet location rating, with metal conduit and suitable for G1/2 knockout.

Electrical

Luminaire utilizes long life, high efficacy LEDs and a highly efficient, reliable 0-10V dimmable LED driver. 120-277V input voltage for increased versatility. Suitable for wet location, IP54 for front side.

Controls

Suitable for use with dimming wall switch to achieve deeper energy-savings and code compliance. Recommended dimmers: DIVA-DVTV(LUTRON), NOVA T NTSTV-DV(LUTRON).

Certifications / Regulatory

cETLus listed. All components used have UL approval. IC rated.

Warranty

5-year limited warranty. See complete warranty terms for details.

Quick Ship Product

ASDL-4-16A/8A
ASDL-6-30A/8A
ASDL-8/35A/8A
ASDL-10-40A/8A

ORDERING INFORMATION

Sample Number: **ASDL-4-16A/8A**

ASDL	4	16A	8	A	(Blank)
Series	Form Factor	Lumen Package	CRI	CCT	Housing Finish
ASDL - LED	4 - 4" trim	16A - 16/12/10/8/6W Adjustable	8 - 80+ CRI	A - Adjustable CCT	(Blank) - White
Commercial Downlight	6 - 6" trim	30A - 30/26/22/16/12W Adjustable	9 - 90+ CRI (option)	5000K/4000K/3500K/3000K/2700K	BK - Black (option)
	8 - 8" trim	35A - 35/30/26/22/16W Adjustable			
	10 - 10" trim	40A - 40/35/30/26/22W Adjustable			

Options

Accessory

GR-4-(SA/WH/BK) - Goof Ring cover for 4" in (sliver or white or black) color
GR-6-(SA/WH/BK) - Goof Ring cover for 6" in (sliver or white or black) color
GR-8-(SA/WH/BK) - Goof Ring cover for 8" in (sliver or white or black) color
GR-10-(SA/WH/BK) - Goof Ring cover for 10" in (sliver or white or black) color
ASDL-NCB-DW - New Construction Bracket for Drywall (only compatible with 4-8" trim but not 10" trim)
ASDL-NCB-TG - New Construction Bracket for T-Grid

Emergency Backup

(require field installation)
EM-8W - 8W EM
EM-18W - 18W EM

SUMMARY

Input Voltage	120-277V
Input Power	See energy data for details
Power Factor	>0.95
THD (Max.)	20%
Efficacy	90-120 LPW
Delivered Lumens	See energy data for details
Controls/ Dimming	Full Range 0-10V dimming standard
Dimming Range	10-100%
CRI	>80
CCT	5000/4000/3500/3000/2700K Selectable
Operating Temp.	-4 ~ +104°F (-20 ~ +40°C)
Rated Life	50,000 hours

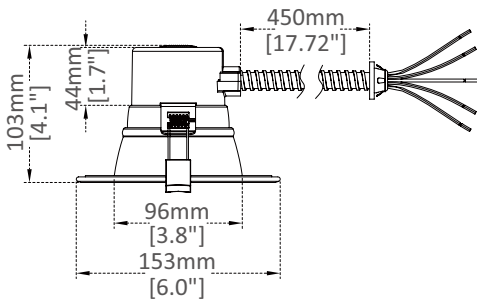
ENERGY PERFORMANCE DATA

Part No.	Rated Wattage (W)	Delivered Lumens (lm)	Efficacy (lm/W)
ASDL-4-16A/8A	16/12/10/8/6	1440/1080/950/800/600	90-100
ASDL-6-30A/8A	30/26/22/16/12	3600/3120/2640/1920/1440	120
ASDL-8-35A/8A	35/30/26/22/16	4200/3600/3120/2640/1920	120
ASDL-10-40A/8A	40/35/30/26/22	4800/4200/3600/3120/2640	120

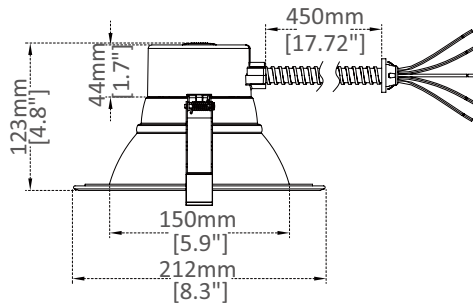


PHYSICAL PARAMETERS

ASDL-4

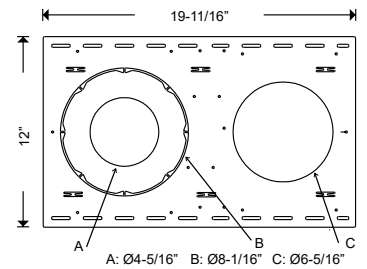


ASDL-6

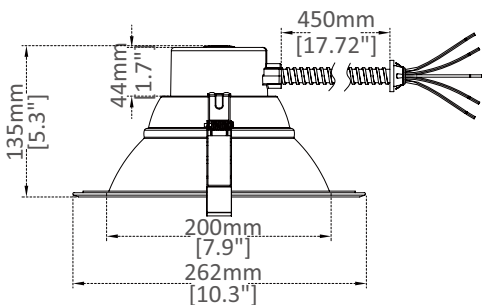


Accessory

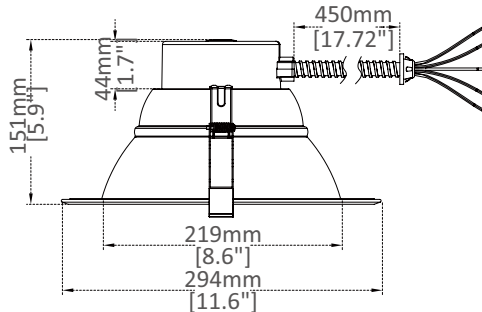
ASDL-NCB-DW



ASDL-8



ASDL-10



ASDL-NCB-TG

