



PROJECT

TYPE

DATE

ITEM NO.

NOTE

## LED COMMERCIAL DOWNLIGHT

## CSDL Series

Downlight

### DESCRIPTION

The CSDL Series LED Commercial Downlight is an economical all-in-one solution for recessed down lighting for commercial lighting applications. Easy to install in new construction and replace most manufacturers incandescent, CFL or HID fixtures. CSDL series comes in 4", 6", 8", and 10" trim.

#### APPLICATION

Indoor general/ambient illumination. Idea for offices, hotels, retails, and other architectural spaces that demand energy demand reduction and high quality light.



### SPECIFICATION FEATURES

#### Construction

CSDL Series is built with easy conversion method and installation can be performed from below the ceiling without removing existing fixture. Housing and optics maintain wet location rating, with metal conduit and suitable for G1/2 knockout.

#### Electrical

Luminaire utilizes long life, high efficacy LEDs and a highly efficient, reliable LED driver. 120-347V input voltage for increased versatility. Suitable for wet location.

#### Controls

Suitable for use with dimming wall switch to achieve deeper energy-savings and code compliance. Recommended dimmers: DIVA-DVTV(LUTRON), NOVA T NTSTV- DV(LUTRON).

#### Certifications / Regulatory

cETLus listed. Wet locations. All components used have UL approval.

#### Warranty

5-year limited warranty. See complete warranty terms for details.

### Quick Ship Product

- CSDL-4-20A/8A-50D
- CSDL-4-20A/8A-70D
- CSDL-6-40A/8A-50D
- CSDL-6-40A/8A-70D
- CSDL-8-60A/8A-40D
- CSDL-8-60A/8A-60D
- CSDL-10-60A/8A-40D
- CSDL-10-60A/8A-60D

## ORDERING INFORMATION

Sample Number: **CSDL-4-20A/8A-50D**

CSDL	4	20A	8	A	50D	(Blank)
<b>Series</b>	<b>Form Factor</b>	<b>Lumen Package</b>	<b>CRI</b>	<b>CCT</b>	<b>Beam Angle</b>	<b>Housing Finish</b>
CSDL - LED	4 - 4" trim	20A - 20/15/10W Adjustable	8 - 80+ CRI	27 - 2700K	50D - 50° beam angle	(Blank) - White
Commercial	6 - 6" trim	40A - 40/30/20W Adjustable		A - 5000/4000/3000K Adjustable	70D - 70° beam angle	BK - Black(option)
Downlight	8 - 8" trim	60A - 60/50/40W Adjustable			40D - 40° beam angle	
	10 - 10" trim	Note: 20A only for 4" Trim 40A only for 6" Trim 60A for 8" or 10" Trim			60D - 60° beam angle	
					Note: 50D and 70D for 4" and 6" Trims 40D and 60D for 8" and 10" Trims	

### Options

#### Accessory

**CSDL-NCB-DW** - New Construction Bracket for Drywall (only compatible with 4-8" trim but not 10" trim)

**CSDL-NCB-TG** - New Construction Bracket for T-Grid

#### Emergency Backup

**(require field installation)**

**EM-8W** - 8W EM

**EM-18W** - 18W EM

SUMMARY

Input Voltage	120-347V
Input Power	See energy data for details
Power Factor	>0.9
THD (Max.)	20%
Efficacy	95-110 LPW
Delivered Lumens	See energy data for details
Controls/ Dimming	Full Range 0-10V dimming standard
Dimming Range	10-100%
CRI	>80
CCT	2700K, 3000/4000/5000K Selectable
Operating Temp.	-4 ~ +104°F (-20 ~ +40°C)
Rated Life	50,000 hours

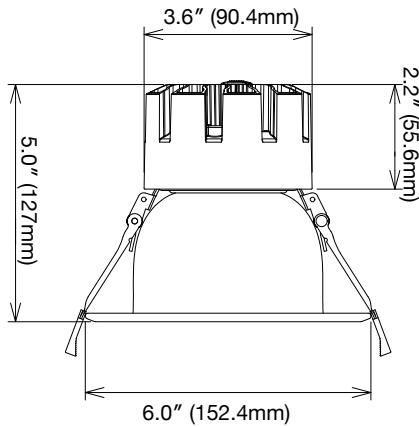
ENERGY PERFORMANCE DATA

Part No.	Rated Wattage (W)	Delivered Lumens (lm)	Efficacy (lm/W)
CSDL-4-20A	20/15/10	1850/1425/950	95
CSDL-6-40A	40/30/20	4000/3300/2200	110
CSDL-8-60A	60/50/40	6200/5375/4300	105
CSDL-10-60A	60/50/40	6200/5375/4300	105

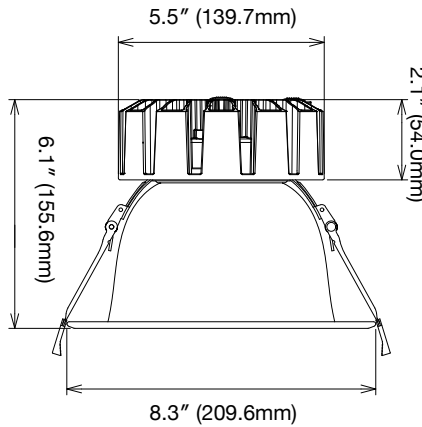


PHYSICAL PARAMETERS

CSDL-4-20A

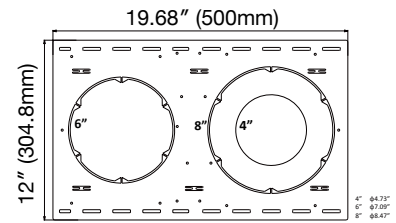


CSDL-6-40A

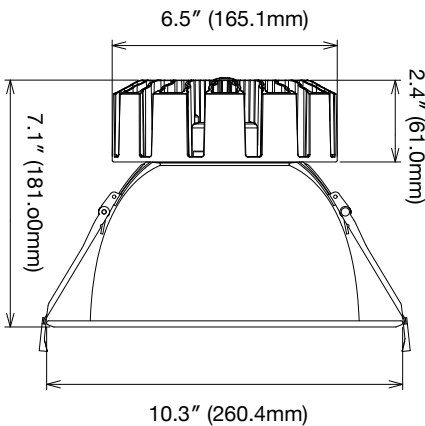


Accessory

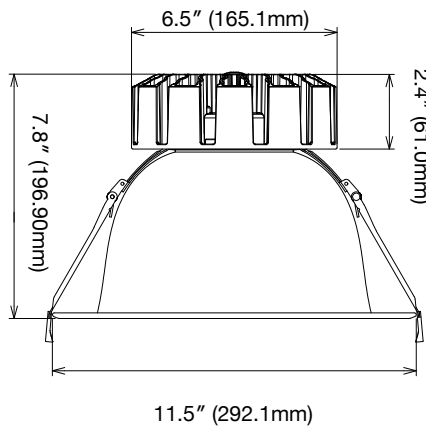
CSDL-NCB-DW



CSDL-8-60A



CSDL-10-60A



CSDL-NCB-TG

