

PROJECT NAME

CATALOG NO.

TYPE

DATE

NOTE

## OUTDOOR LED FLOOD LIGHT

## FLWH Series

High Lumen Flood Luminaires

### DESCRIPTION

The FLWH Series LED Flood Light is a high-performance, produces a minimum of 135 lumen per watts, providing significant energy savings while remaining durable in the field. Each luminaire features an integral listed driver, potted within a separate compartment to ensure cool operation and longer lifetime.

### APPLICATION

The FLWH Series is ideal for parking areas, doorways, pathways, building facades, loading docks, and a wide variety of other large, area light, general site lighting applications. Replace existing HID Flood lights/ wall packs.



150W, 200W



100W



### SPECIFICATION FEATURES

#### Construction

The housing is die-cast and extruded aluminum weather-tight LED driver compartment heat sink to obtain the maximum thermal dissipation. Outer surface treated with durable powder coating to provide resistance to corrosion, rust, weathering, and UV degradation.

#### Optics

Precision-formed heat-resistant polycarbonate optical lens system reduces glare and improves safety and security by delivering high efficiency illumination with precise optical distribution. Type VS light distribution, field angle 170 degree.

#### Electrical

Luminaire utilizes long life, high efficacy LEDs and reliable LED driver. 120V-277V input voltage. 4KV standard surge protection.

#### Mounting

Knuckle, Yoke and Adjustable Slip Fitter mount

#### Certifications / Regulatory

cULus listed. Wet location. All components used have UL approval.

#### Warranty

7-year limited warranty. See complete warranty terms for details.

### Quick Ship Product

## ORDERING INFORMATION

Sample Number: **FLWH-100/7A-K**

FLWH	100	7	A	K
<b>Series</b>	<b>Lumen Package</b>	<b>CRI</b>	<b>CCT</b>	<b>Mounting Option</b>
FLWH - Outdoor LED	100 - 100W	7 - CRI 70+	A - 5000/4000/3000K adjustable	K - Knuckle
High Lumen Flood Light	150 - 150W			Y - Yoke
	200 - 200W			MASF - Adjustable Slip Fitter

### Options

#### Controls

PS - Photocell Sensor

SPD - 10KV Surge Protection Device

SUMMARY

Input Voltage	120-277V
Input Power	See energy data for details
Power Factor	>0.9
THD (Max.)	20%
Efficacy	>135 LPW
Delivered Lumens	See energy data for details
CRI	>70
CCT	5000/4000/3000K Selectable
Operating Temp.	-40°F ~ 104°F (-40°C ~ +40°C)
Rated Life	70,000 hours
IP Grade	Wet locations
Surge protection	4KV

ENERGY PERFORMANCE DATA

Part No.	Rated Wattage (W)	Delivered Lumens (lm)	Efficacy (lm/W)
FLWH-100/7A	100	13479	135
FLWH-150/7A	150	20082	135
FLWH-200/7A	200	27867	139

MOUNTING INFORMATION

Knockle Mount for 100-200W



Yoke Mount only 100W available



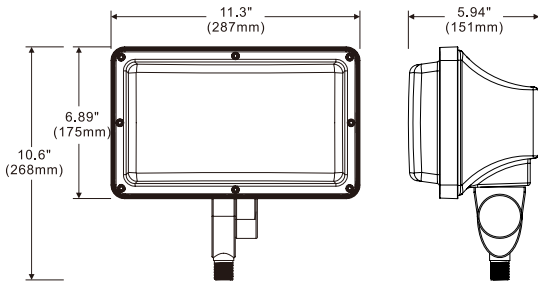
Slip Fitter Mount only 150W and 200W available



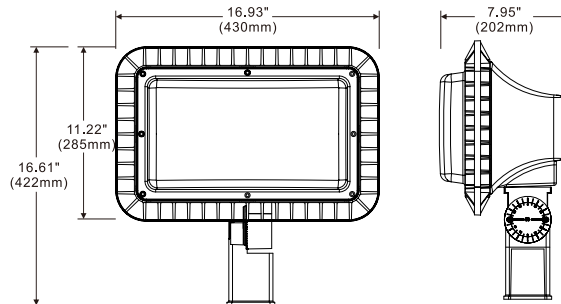
PHYSICAL PARAMETERS

DIMENSION

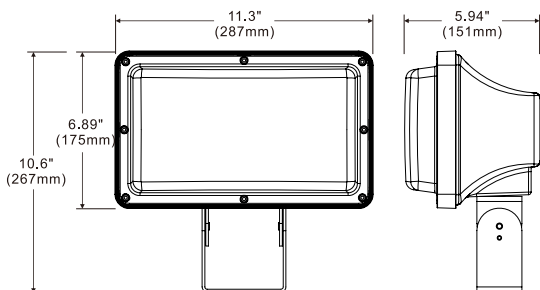
FLWH-100/7A-Y



FLWH-150/7A-MASF and FLWH-200/7A-MASF



FLWH-100/7A-K



FLWH-150/7A-K and FLWH-200/7A-K

