

PROJECT NAME

CATALOG NO.

TYPE

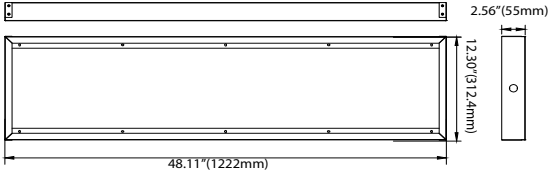
DATE

NOTE

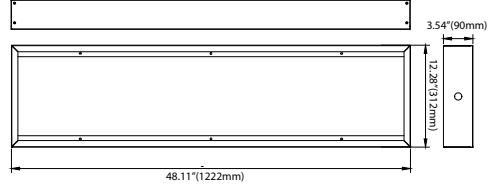
**SURFACE MOUNT KIT**

**BFPL-SMK**  
Surface Mount Kit

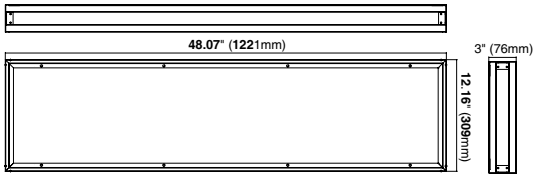
BFPL-SMK-14



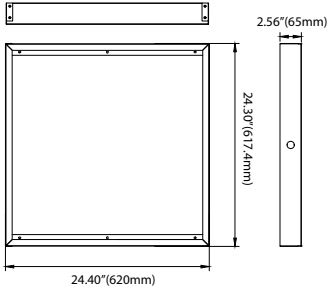
BFPL-SMK-14-EM



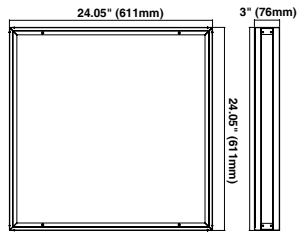
BFPL-SMK-14S



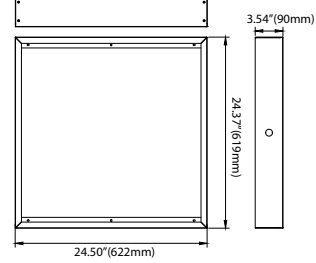
BFPL-SMK-22



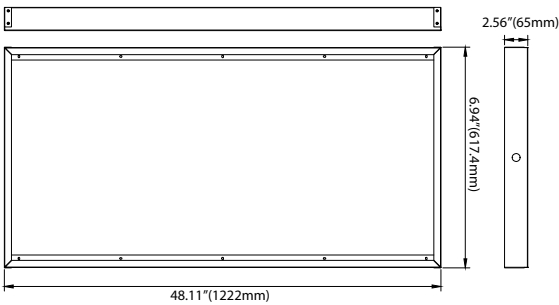
BFPL-SMK-22S



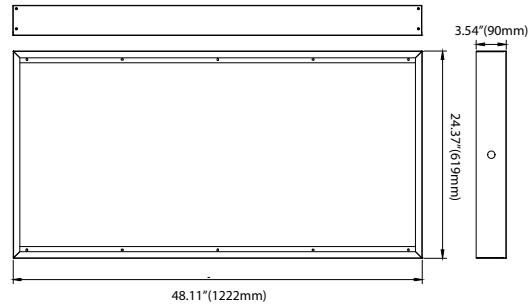
BFPL-SMK-22-EM



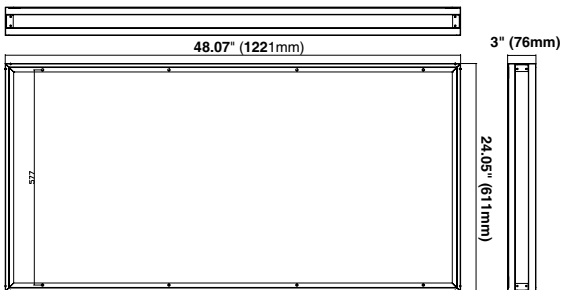
BFPL-SMK-24



BFPL-SMK-24-EM



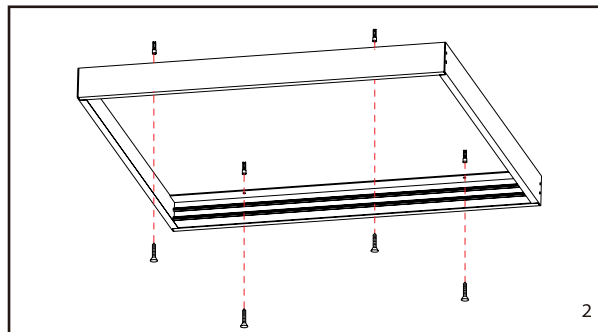
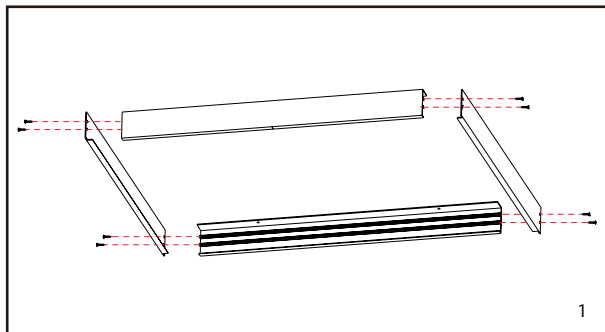
BFPL-SMK-24S



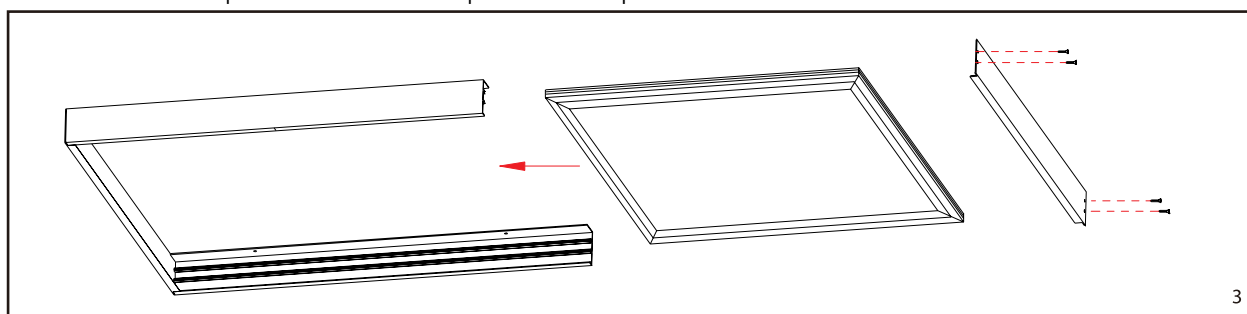
# Installation Instructions

## Surface Mount Installation Steps (Required additional kit from manufacturer):

1. Put the four pieces of frame together and fix them by screws.
2. Fix the frame onto the wall by screws.

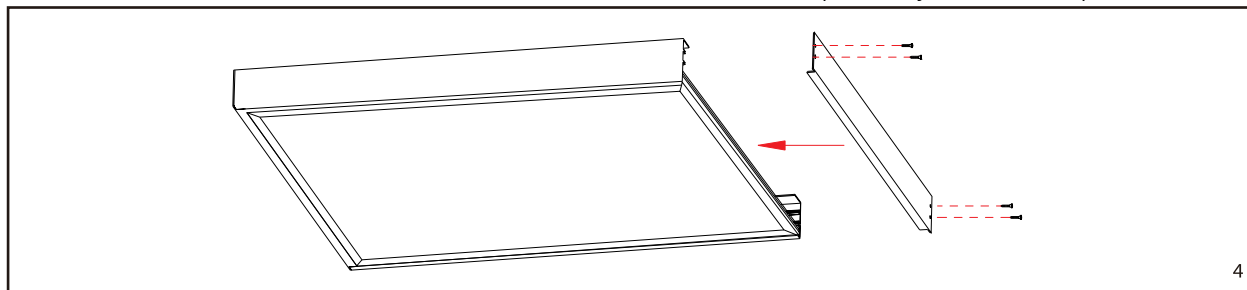


3. Dismantle one piece of frame and put the LED panel into the frame.

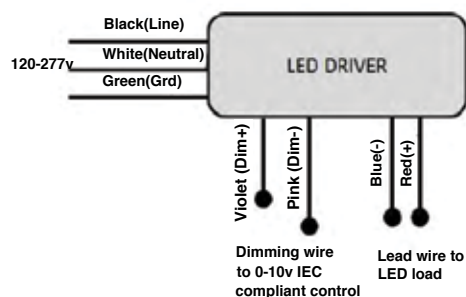


4. Fix the frame by putting back the dismantled part.

Note: The drivers and connector must be fixed to the back of LED panel by adhesive tape.



## Wiring Diagram:





PROJECT NAME

CATALOG NO.

TYPE

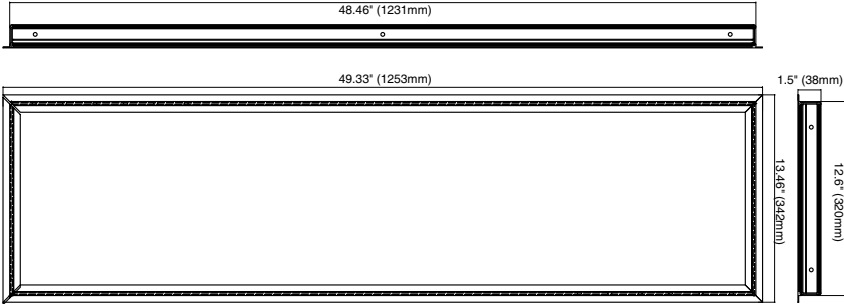
DATE

NOTE

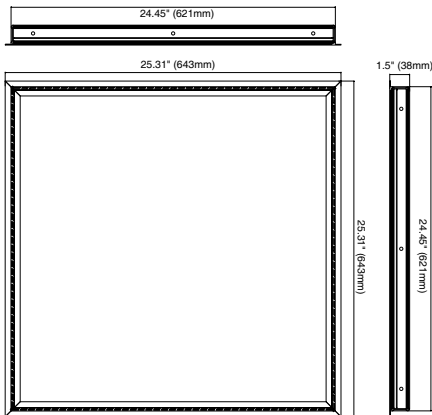
**FLANGE KIT FOR DRYWALL**

**FLK**  
Flange Kit for Drywall

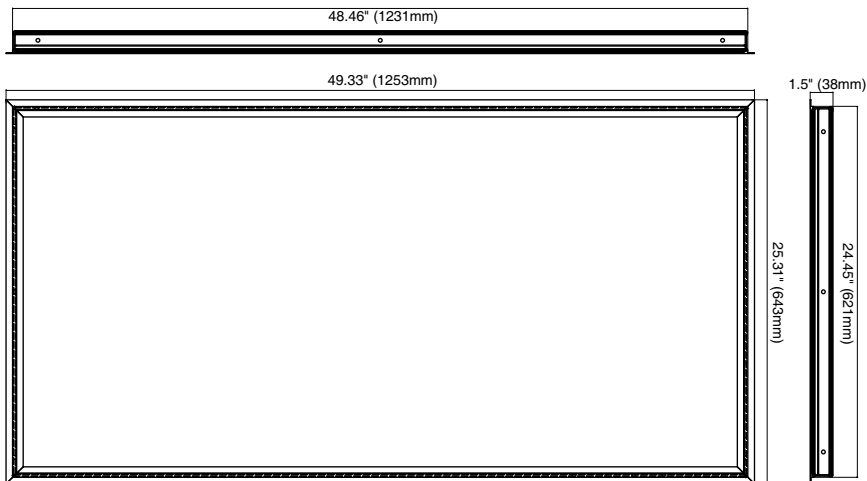
**FLK-14**



**FLK-22**



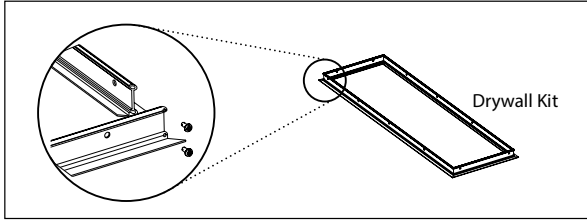
**FLK-24**



# Installation Instructions

## Frang recessed Drywall Mount Installation Steps (Required additional FLK-XX kit):

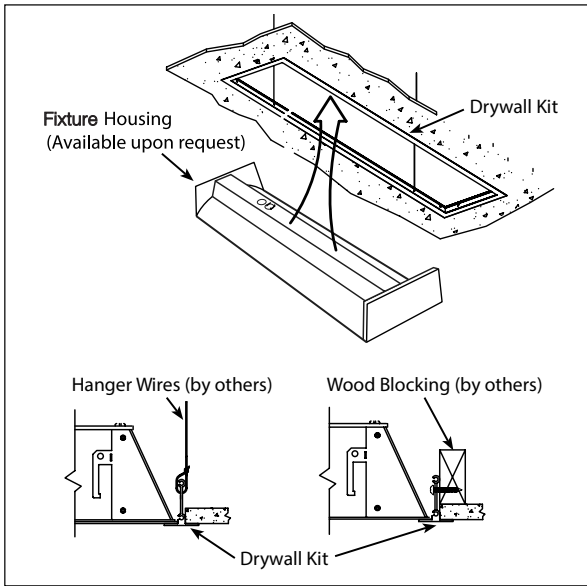
1. Assemble the four pieces of the **drywall kit** with the screws provided.



2. Support the drywall kit to the building structure by hanger wires (by others), alternatively screw to wood blocking (by others) or black iron (by others).

3. Follow wiring directions on fixture installation instruction sheet to complete electrical splices.

4. Rotate and slide the fixture as required to fit through the drywall opening as indicated by the directional arrow in figure and place it on the drywall kit.



## Wiring Diagram:

