



PROJECT NAME

CATALOG NO.

TYPE

DATE

NOTE

## OUTDOOR LED DOCK LIGHT

**DKL Series**  
LED Dock Luminaire

### DESCRIPTION

The DKL Series LED Dock Light is a high impact work light, the heavy duty die cast aluminum housing with polycarbonate lens is engineered to withstand impact at the loading dock without damage to the light. Optional extendable 42" arm with 360° vertical and horizontal rotation in all directions and no blind spot.

### APPLICATION

Designed for most demanding environments including wet and damp locations, such as loading dock, machine station, inspection station, warehousing, manufacturing and the similar industrial sites for indoor and outdoor general work lighting and spot lighting.



### SPECIFICATION FEATURES

#### Construction

Die-cast aluminum and powder-coating in safety yellow for high visibility, anti-corrosion and durability with high impact resistance, extendable 42" arm with 360° vertical and horizontal rotation for different locations and applications, handle for quick movement, tool-less hand tightening knob for easy assembly and installation.

#### Optics

High impact polycarbonate optical lens provide narrow field angle 28° light distribution.

#### Electrical

Built-in ON/OFF switch for easy operation, with NEMA 5-15P 10ft power cord and plug for portable access.

#### Mounting

Magnetically attachable to metal surfaces, Extendable 42" Arm mounting.

#### Certifications / Regulatory

cULus listed. Wet location.

#### Warranty

5-year limited warranty. See complete warranty terms for details.

Quick Ship Product

## ORDERING INFORMATION

Sample Number: **DKL-30/57K-ARM**

DKL	30	57K	ARM	(Blank)
<b>Series</b> DKL - LED Dock light	<b>Lumen Package</b> 30 - 30W	<b>CCT</b> 57 - 5700K	<b>Mounting Option</b> ARM - With Extendable 42" Arm M - With Magnetic plate	<b>Outlet</b> (Blank) - Without outlet Outlet - With outlet

SUMMARY

Input Voltage	120-277V
Input Power	30W
Power Factor	>0.9
THD (Max.)	20%
Efficacy	115 LPW
Delivered Lumens	3415 lms
CRI	>70
CCT	5700K
Operating Temp.	-40°F ~ 104°F (-40°C ~ +40°C)
Rated Life	50,000 hours
IP Grade	Wet locations

ENERGY PERFORMANCE DATA

Part No.	Rated Wattage (W)	Delivered Lumens (lm)	Efficacy (lm/W)
DKL-30/57K	30	3415	115

PHYSICAL PARAMETERS

DKL-30/57K-M

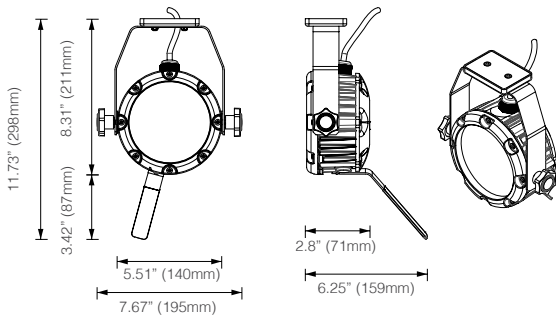


DKL-30/57K-ARM



DIMENSION

DKL-30/57K-M



DKL-30/57K-ARM

