



PROJECT

TYPE

DATE

ITEM NO.

NOTE

LED BOLLARD WITH ADJUSTABLE WATTAGE AND CCT

BLA S Series

Bollard

DESCRIPTION

The BLA S Series LED Bollard is a high-performance, IP65-rated luminaire that produces a minimum of 140 lumen per watts, providing significant energy savings while remaining durable in the field. The adjustable wattage and CCT option provide a wide range of lumen packages to replace traditional metal halide lighting from 50W to 100W. With an expected service life of over 20 years of nighttime use and up to 70% in energy savings over comparable 100W metal halide luminaires, the BLA Bollard is a reliable, low-maintenance lighting solution that produces sites that are exceptionally illuminated.

APPLICATION

The rugged construction and clean lines of the BLA Bollard is ideal for illuminating building entryways, walking paths, and pedestrian plazas, as well as any other location requiring a low mounting height are desirable.



SPECIFICATION FEATURES

Construction

One-piece 6-inch round die-casting aluminum shaft with thick side walls for extreme durability, a high-impact clear acrylic lens and welded top cap. Overall height is 42" standard. IP65 Rated, suitable for wet locations. 4KV surge protection come in standard, IK10 rated.

Controls

Photosensor options supports automatically turn on the lights at dusk and off at dawn, no need for manual operation anymore. Intergrated DIP switches for CCT and Wattage adjustment. Emergency backup option.

Electrical

Light engines consist of high-efficacy LEDs mounted to metal-core circuit boards to maximize heat dissipation and promote long life. Electrical components are mounted on a removable power tray.

Optics

The round fixture supports field interchange of the top head engines to change the light distribution. (with adder)

Certifications / Regulatory

cULus listed. All components used have UL approval. IP65 rated. IK10 rated.

Warranty

5-year limited warranty. See complete warranty terms for details.

Quick Ship Product

ORDERING INFORMATION

Sample Number: **BLA-R-24AS/7A-PS**

BLA	R	24A	7	A	PS	(Blank)	(Blank)
Series	Form Factor	Lumen Package	CRI	CCT	Photosensor	Beam Angle	Finish
BLA - LED Bollard	R - Round S - Square	24A - 24/19/14W Adjustable <i>*See energy data for details</i>	7 - CRI>70	A - Adjustable CCT (5000/4000/3000K)	(Blank) - without PS PS - with Photosensor	(Blank) - Symmetrical DMLV - Round Dome Louver	(Blank) - Dark Bronze BK - Black

Options

Accessories

BLA-R-180SK - 180° Shield Kit for round fixture, dark bronze finish
BLA-R-180SK-BK - 180° Shield Kit for round fixture, black finish

Controls

PS - Photosensor (supports on-site switch on/off)

Emergency Backup

EM500 - 500lm

SUMMARY

Input Voltage	120-277V
Input Power	See energy data for details
Power Factor	> 0.9
THD (Max.)	20%
Efficacy	See energy data for details
Delivered Lumens	See energy data for details
CRI	> 70
CCT	5000/4000/3000K Selectable
Operating Temp.	-40°F ~ 122°F (-40°C ~ +50°C)
Rated Life	70,000 hours
IP Grade	Outdoor, wet locations, IP65 rating
BUG Rating	B1-U3-G1

ENERGY PERFORMANCE DATA

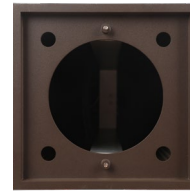
Part No.	Rated Wattage (W)	Delivered Lumens (lm)	Efficacy (lm/W)
BLA-R-24AS/7A	24/19/14	3360/2660/1960	140
BLA-R-24AS/7A-DMLV	24/19/14	1800/1425/1050	75
BLA-S-24AS/7A	24/19/14	3120/2470/1820	130

MOUNTING INFORMATION

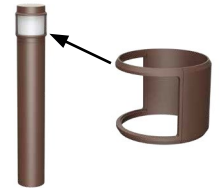
Round Fixture



Square Fixture



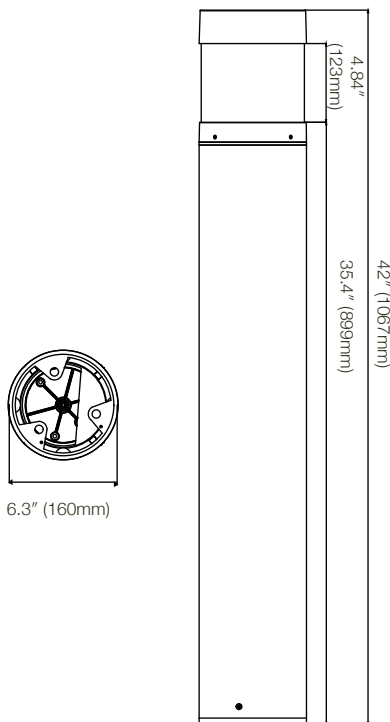
180° Shield Kit



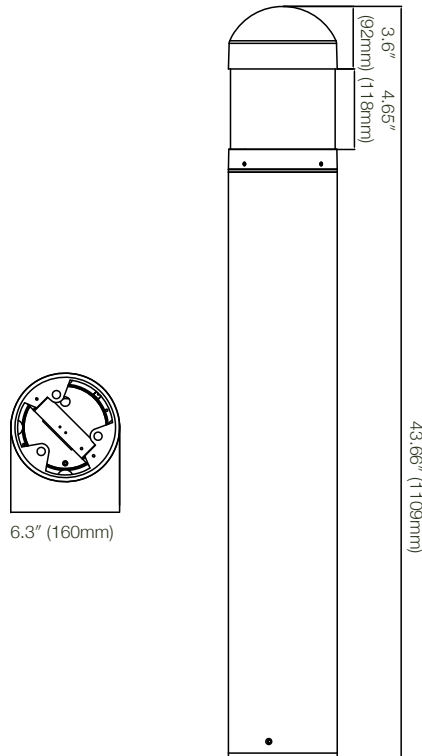
PHYSICAL PARAMETERS

DIMENSION

BLA-R-24AS/7A



BLA-R-24AS/7A-DMLV



BLA-S-24AS/7A

