

Installation Instructions

LED Commercial Downlight

Installation guide valid for the following models:

CSDL-4-20A
CSDL-6-40A
CSDL-8-60A
CSDL-10-60A



WARNING

RISK OF FIRE OR ELECTRIC SHOCK

The LED Commercial Downlight must be installed by a qualified electrician in accordance with applicable federal, state, and local laws and codes. Installation requires knowledge of luminaire electrical systems and installer should be familiar with the operation of this product. If not qualified, do not attempt installation; contact a qualified electrician. Manufacturer assumes no responsibility for the improper installation of this luminaire.

To prevent wiring damage or abrasion, do not expose wiring to edges of sheet metal or other sharp objects. When installing this kit, drilling may damage luminaire wiring and electrical parts. Check for wiring and components in enclosure before drilling. Electrical connection should be in a dry area unless adequately sealed. If the external flexible cable or cord of this luminaire is damaged, it shall be exclusively replaced by the manufacturer or his service agent or a similar qualified person in order to avoid a hazard.

CAUTION

RISK OF PERSONAL INJURY

- Wear gloves or proper handling protection to prevent cuts or abrasions when handling and maintaining this product. This equipment may have sharp edges. To reduce the risk of death, personal injury or property damage from fire, electric shock, falling parts, cuts/abrasions, and other hazards read all warning and instructions included with and on the fixture box and all fixture labels.

WARNING

- Before starting use of the light, please check if the light was damaged during transportation. If any damage shown, please do not install or use it and contact manufacturer.
- Products and components should not be mechanically stressed.
Damaged by corrosion will not be honored as a materials defect claim. It is the user's responsibility to provide suitable protection against corrosive agents such as moisture and condensation and other harmful elements.
- Specifications and dimensions subject to change without notice.

WARNING

RISK OF PERSONAL INJURY, FIRE OR ELECTRIC SHOCK

Turn OFF power before installation.

Contact manufacturer with any questions or concerns regarding installation of this luminaire.

Alphalite

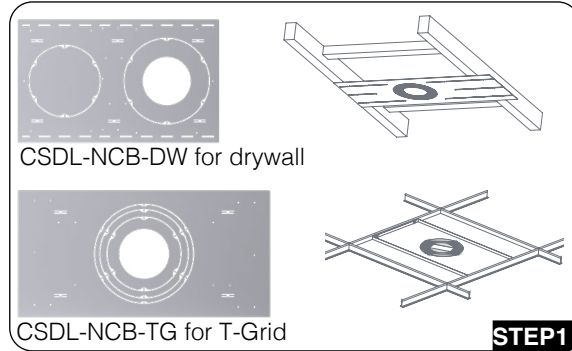
Installation Instructions

CSDL Series LED Commercial Downlight

CSDL Contents: A. LED Engine
B. Reflector
C. LED Driver

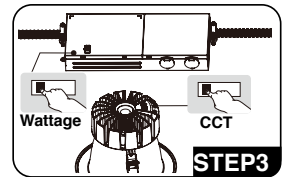
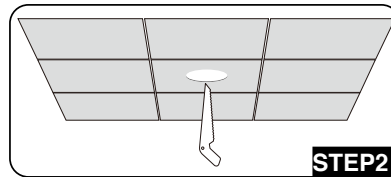


STEP1: Removed the knockout if needed according to your fixture's size, install the NCB in the ceiling.
For new construction applications only (oder separated)



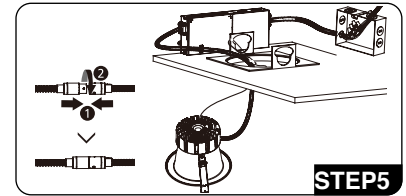
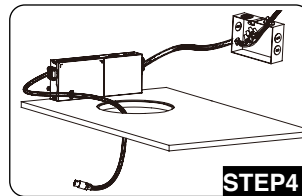
STEP2: Open a round hole according to the NCB or your fixture as following.

4 inch: 4.52"min.to 5.2" max.
6 inch: 6.89" min. to 7.48" max.
8 inch: 8.27" min. to 9.45" max.
10 inch: 9.45" min. to 10.63" max.



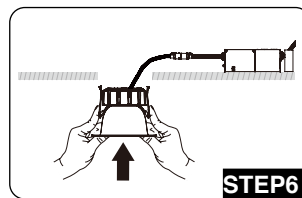
STEP3: Adjust the Wattage and CCT that you want.

STEP4: Wiring and install the LED drive.



STEP5: Plug and lock the connector to connect the driver and engine, install the safety hook to steam or any structural members.

STEP6: Bend back the spring clips then install the reflector and restore power after installation is completed.



Accessories options

1. CSDL-NCB-DW: New Construction bracket for drywall
2. CSDL-NCB-TG: New Construction bracket for T-Grid
3. Emergency backup

Contact your Alphalite representative for added cost, quantities and lead times.

Alphalite