



PROJECT

TYPE

DATE

ITEM NO.

NOTE

## ARCHITECTURAL LED LINEAR-DIRECT & INDIRECT

## ILA-DIDE Series LED Linear Luminaire

### DESCRIPTION

ILA Series makes it an ideal choice for size-restricted architectural applications. It can be the illumination solution in commercial, industrial, retail, and residential applications. Fixtures can be used in storage/utility areas, coves, display cases, shops, tasks, and general area lighting.

### APPLICATION

A versatile solution for general purpose applications. Ideal for parking garages, corridors, hallways, stairwells, offices, closets, storage rooms, and spaces that demand energy demand reduction and high-quality light.



### SPECIFICATION FEATURES

#### Benefits

- Lower installation costs and maintenance costs
- Lower energy costs
- High quality light for a more productive space
- Multiple mounting options
- Convenient access to replaceable, standard components reduces life cycle costs
- Field adjust wattage & CCT and direct/indirect proportion light output, all 3 dip switches with 3 positions, total 27 options

#### Construction

Housing constructed of extruded aluminum. Polycarbonate diffuser lens provides even and consistent light while eliminating pixelation and glare. Toolless removal of diffuser allows access to LED array. LED module and driver are replaceable. Housing and optics maintain damp location rating with all internal components.

#### Finish

Highly reflective finish. Baked paint applied after fabrication.

#### Electrical

120-347V input voltage, 0-10V continuous dimming comes standard. Comes equipped with a quick disconnect.

#### Optics

LED engine and integrated optics deliver enhanced light quality and distribution. Diffuser and reflector are designed LED light consistently, reducing glare and pixelation. Beam angle of direct light 110°.

#### Certifications / Regulatory

cETLus listed, IC rated.

#### Warranty

5-year limited warranty. See complete warranty terms for details.

### Quick Ship Product

ILA-4DIDE(50)-8AK-SA  
ILA-8DIBE(100)-8AK-SA

## ORDERING INFORMATION

Series	Length	Lumen Package			CRI	CCT
ILA	2 - 2'	2'	4'	8'	8 - 80+ CRI	AK - Adjustable CCT
- Architectural	4 - 4'	2DIDE(30)	4DIDE(50)	8DIDE(100)	9 - 90+ CRI	(4000/3500/3000K)
LED Linear	8 - 8'	- 30/25/20W, 3450/2875/2300lm	- 50/40/30W, 5750/4600/3450lm	- 100/80/60W, 11500/9200/6900lm		

Note: check the details as energy performance data.

Optics	Control Option	Emergency Backup	Color	Assembly in USA
<b>(Blank)</b> - Diffuser with 110°x110°	<b>OS</b> - Step dimming PIR motion sensor and daylight sensor	<b>EM15W</b> - 15W constant power with integrated self-diagnostic test	<b>WH</b> - White	<b>(Blank)</b> - Non-BAA
<b>P</b> - Parabolic lens (UGR<19)	<b>MMS</b> - Step dimming Microwave Sensor and daylight sensor	<b>EM700</b> - 700lm	<b>BK</b> - Black	<b>BAA</b> - Assembly in USA
<b>BA</b> - Batwing distribution	<b>AWNRR</b> - Lutron Athena wireless node integral fixture control (RF only)	<b>EM1400</b> - 1400lm	<b>SA</b> - Silver	
<b>WW</b> - Wall Wash distribution	<b>AWNS</b> - Lutron Athena wireless node integral fixture control (RF with daylight and occupancy sensing)			
*WW only available for direct light	Remarks: Sensor configuration tool remote control required, not included			

### Accessories

#### Connector

- ILA-LDIDB(30) - L shape connector
- ILA-TDIDB(40) - T shape connector
- ILA-XDIDB(50) - X shape connector

- ILA-CRD7-(WH/BK/GY) - 7ft 5 cords AC cable in (white or black or grey) color with connector.
- ILA-CRD13-(WH/BK) - 13ft 5 cords AC cable in (white or black) color with connector
- ILA-CRD7-300-EM-(WH/BK) - 7ft 6 cords 300V AC cable in (white or black) color with connector
- ILA-LB - Linking bracket
- ILA-UCOVER-(WH/BK) - U cover for connection, 100% no light leak

#### Mounting

- Suspension Mount**
- ILA-ACC-(6/12) - 6.5ft or 12ft adjustable Aircraft cable without canopy
- ILA-PSCA-CRD7-(WH/BK/SA) - Canopy with AC cable K/O + AC cable + 6.5ft adjustable aircraft cable
- ILA-SCA-(WH/BK/SA) - Canopy + 6.5ft adjustable aircraft cable
- Pendant Mount**
- ILA-PMK-(WH/BK) - Pendant mount kit, suitable for 3/8" and 1/2" OD stem (Stems not provided)
- Wall Mount**
- ILA-WMKB-(WH/BK/SA) - B version wall mount kit (Factory modification required)
- ILA-WMKC-xFT-(WH/BK/SA) - C version wall mount kit

SUMMARY

Input Voltage	120-347V
Input Power	20-100W
Efficiency	>100LPW
Color Temp.	4000K/3500K/3000K Selectable
CRI	>80
Power Factor	>0.90
Dimmable	Full Range 0-10V dimming standard
Dimming Range	10-100%
Operating Temp.	-22°F to 122°F (-30°C to 50°C)
Rated Life	50,000 hours

ENERGY PERFORMANCE DATA

Part No.	Housing Finish	Rated Wattage(W)	Delivered Lumen(lm)	Efficacy (lm/W)
ILA-2DIDE(30)-8AK	WH	30/25/20	3450/2875/2300	115
	BK		3090/2575/2060	103
	SA		3270/2725/2180	109
ILA-4DIDE(50)-8AK	WH	50/40/30	5750/4600/3450	115
	BK		5150/4120/3090	103
	SA		5450/4360/3270	109
ILA-8DIDE(100)-8AK	WH	100/80/60	11500/9200/6900	115
	BK		10300/8240/6180	103
	SA		10900/8720/6540	109

DIP SWITCHES

**ILA-2**


CCT 3000K	↑ Down+Up 100%+0%	↑ Watt 25W
3500K	• Down+Up 50%+50%	• 20W
4000K CCT	↓ Down+Up 70%+30%	↓ 15W Watt

**ILA-4**

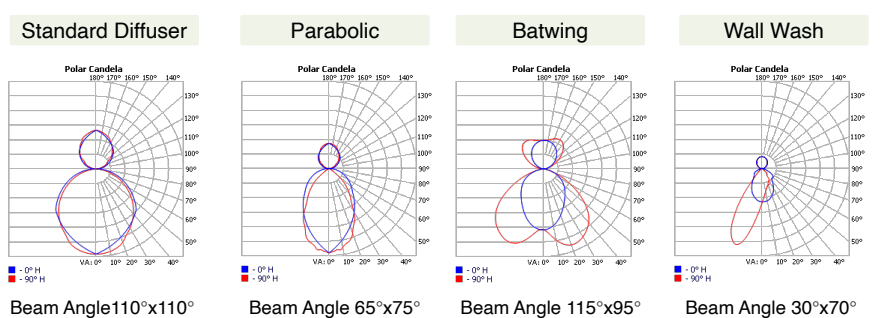
CCT 3000K	↑ Down+Up 100%+0%	↑ Watt 50W
3500K	• Down+Up 50%+50%	• 40W
4000K CCT	↓ Down+Up 70%+30%	↓ 30W Watt

**ILA-8**

CCT 3000K	↑ Down+Up 100%+0%	↑ Watt 100W
3500K	• Down+Up 50%+50%	• 80W
4000K CCT	↓ Down+Up 70%+30%	↓ 60W Watt

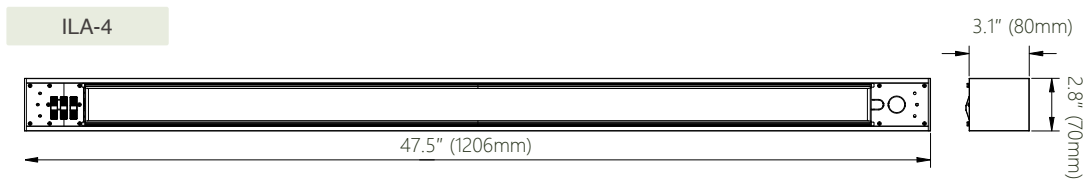
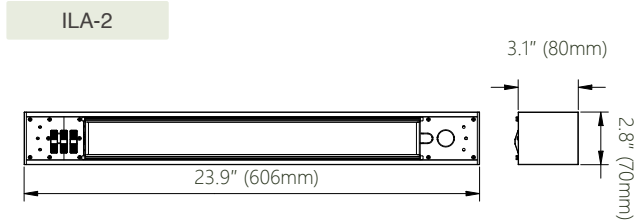


OPTICS



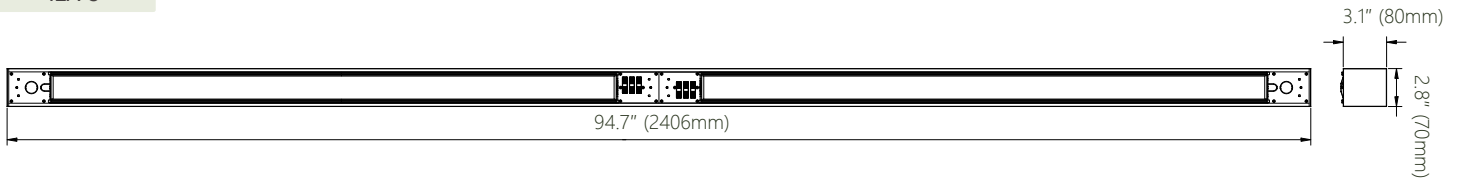
PHYSICAL PARAMETERS

DIMENSION

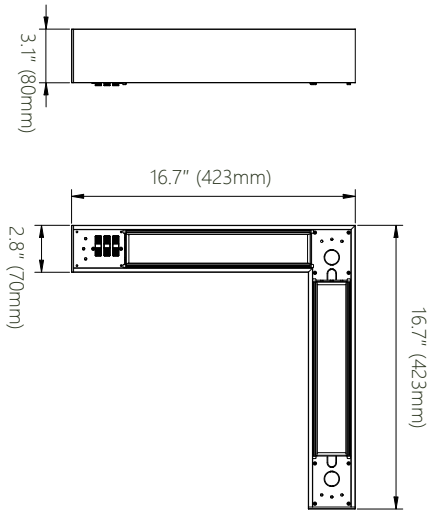


DIMENSION

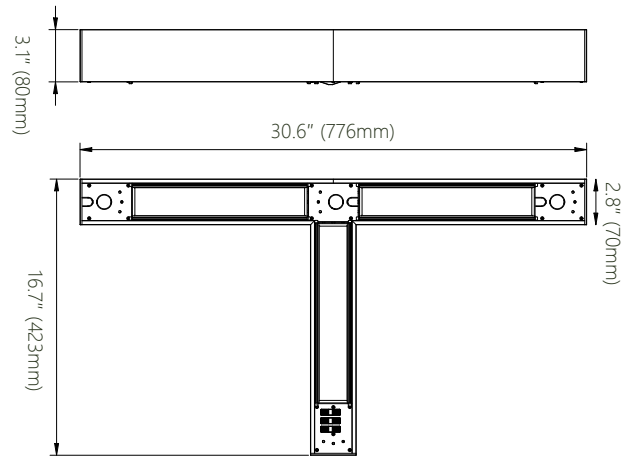
ILA-8



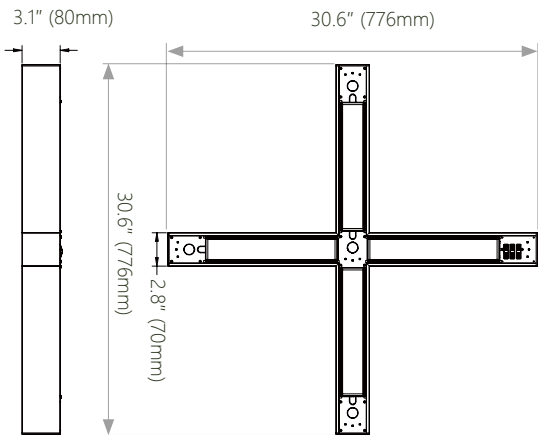
ILA-L



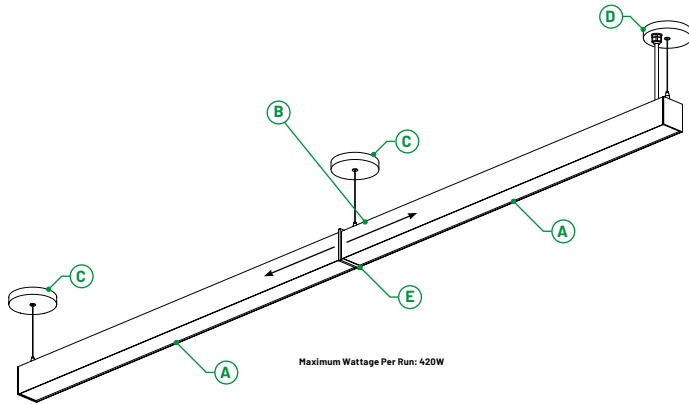
ILA-T



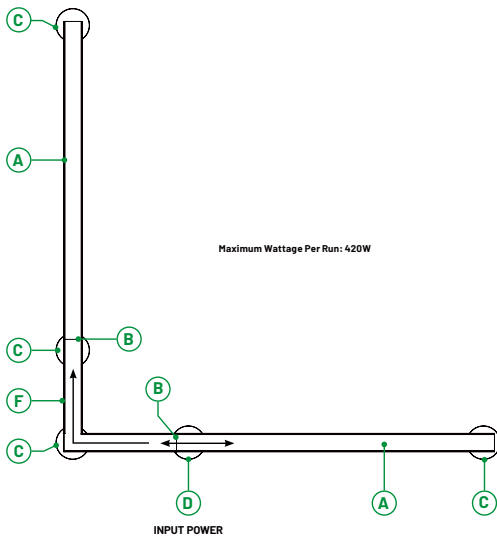
ILA-X



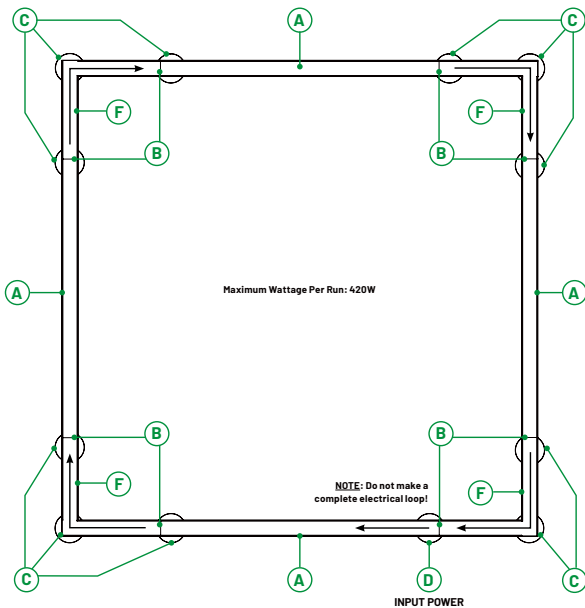
LINEAR MULTI-DIRECTIONAL LAYOUT



	Part Number	Description	Quantity
A	ILA-2/4/6/8ft	ILA Linear Direct/Indirect Fixture	2
B	ZCN-ILA-xFT	Fixture End Linkable Connector Kit, x=ft	1
C	ILA-SCA	Surface Canopy + 6.5ft Aircraft Cable	2
D	ILA-PSCA-CRD7	Surface Canopy with AC cable K/O + 6.5ft Aircraft Cable + 18CWG 600V 5 wires 7ft AC Cable	1
E	ILA-UCOVER	U-cover(Optional)	1



	Part Number	Description	Quantity
A	ILA-2/4/6/8ft	ILA Linear Direct/Indirect Fixture	2
B	ZCN-ILA-xFT	Fixture End Linkable Connector Kit, x=ft	2
C	ILA-SCA	Surface Canopy + 6.5ft Aircraft Cable	4
D	ILA-PSCA-CRD7	Surface Canopy with AC cable K/O + 6.5ft Aircraft Cable + 18CWG 600V 5 wires 7ft AC Cable	1
F	ILA-LDXXX	L-Connector	1



	Part Number	Description	Quantity
A	ILA-2/4/6/8ft	ILA Linear Direct/Indirect Fixture	4
B	ZCN-ILA-xFT	Fixture End Linkable Connector Kit, x=ft	8
C	ILA-SCA	Surface Canopy + 6.5ft Aircraft Cable	11
D	ILA-PSCA-CRD7	Surface Canopy with AC cable K/O + 6.5ft Aircraft Cable + 18CWG 600V 5 wires 7ft AC Cable	1
F	ILA-LDXXX	L-Connector	4