



PROJECT

TYPE

DATE

ITEM NO.

NOTE

## DIE-CASING LED LINEAR HIGH BAY

## HBDC Series

Die-Cast High Bay

### DESCRIPTION

HBDC is a super compact design with Die-Cast housing, lumen and CCT selectable features, dual lensed linear high bay. It delivers 20250 to 48000lms, PIR and microwave sensors ready and supports easy install at field, no wiring required. Standard 90°90° beam angle lens with superior optical control delivers optimal performance while reducing high angle glare, 110°110°, 65°65°, 45°90° beam angle lens options for different application and layout requires.



### APPLICATION

Various commercial and industrial applications with high ceilings: warehouse, factories, workshops, retail, grocery, gymnasiums, exhibition halls.

### SPECIFICATION FEATURES

#### Construction

Rigid, low-profile, compact, die-cast housing provides added protection for LED components and optimal performance. With socket for PIR/Microwave sensor options, Lens, LED module and driver are replaceable.

#### Mounting

Comes standard with V-hook and chain for hanging mount. Various mounting options available: Surface, air craft cable suspended, 3/4" NPT stem pendant mount.

#### Finish

Highly reflectivity finish. Baked white paint, applied after fabrication.

#### Electrical

Luminaire utilizes long life, high efficacy LEDs and a highly efficient, reliable LED driver. 3 level wattage and CCT selectable switches for lumens output and 3500/4000/5000K, 120-347V operating voltage, 0-10V dim-to-off comes standard, with Aux12V ready for DC sensors that supports field installed.

#### Optics

Dual polycarbonate lensed and 90°90° beam angle as standard, narrow, medium, wide distribution lens options.

#### Certifications / Regulatory

cULus listed for damp locations, FCC part 15 class A compliant, DLC listed.

#### Warranty

7-year limited warranty. See complete warranty terms for details.

### Quick Ship Product

HBDC-(215/180/135)/8A  
HBDC-(320/275/235)/8A

## ORDERING INFORMATION

Sample Number: HBDC-(215/180/135)/8A-MMS

Series	Lumen Package		CRI	CCT	Input Voltage
HBDC - Die-Casting LED High Bay	(215/180/135) - 215/180/135W, 32250/27000/20250lm	(320/275/235) - 320/275/235W, 48000/41250/35250lm	8 - 80CRI	A - Adjustable CCT (5000/4000/3500K)	(Blank) - 120-347V 480 - 480V

Optics	Control Option	Emergency Backup	Accessories
(Blank) - Diffuser with 90x90° W110 - Diffuser with 110x110° N65 - Diffuser with 65x65° N45 - Diffuser with 45x90°	MMS-DC-PIR4T - Bi-level dimming PIR sensor and daylight switch, field install in 5 seconds (Required RC-100 Sensor Configuration Tool) MMS-DC4T - Bi-level dimming microwave motion sensor and daylight switch, field install in 5 seconds (Required RC-100 Sensor Configuration Tool) AWNR - Lutron Athena wireless node integral fixture control (RF only) AWNS - Lutron Athena wireless node integral fixture control (RF with daylight and occupancy sensing)	EM25W - 3500lm (Only suitable for 120-347V 215W fixture) EM40W - 5600lm	HBDC-WG-215W - Wire Guard for 215W HBDC-WG-320W - Wire Guard for 320W ACC - Aircraft cable suspension kit HBDC-PMK - Single-point pendant mount kit for 3/4" NPT stem (stem not provided) HBDC-SMK - Surface Mount Kit HBDC-EM-MK - Mounting kit for EM HBDC-EM-PMK - Single-point pendant mount kit for 3/4" NPT stem for installed EM version (stem not provided) HBDC-EM-SMK - Surface Mount Kit for installed EM version

SUMMARY

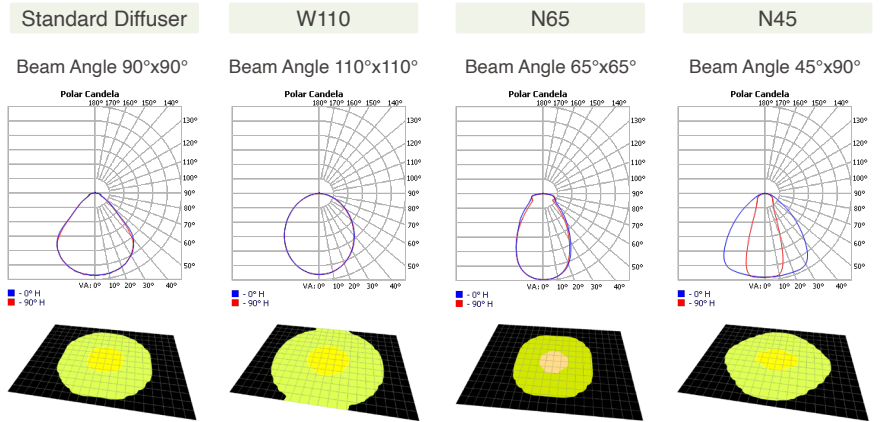
Input Voltage	120-347V
Input Frequency	50/60 Hz
Power Factor	> 0.9
THD (Max.)	< 20%
Efficacy	150 LPW
Controls/ Dimming	Full Range 0-10V dimming standard
Dimming Range	10-100%
CRI	>80
CCT	3500/4000/5000K(default) selectable
Operating Temp.	-40°F to 131°F (-40°C to 55°C)
Surge Protection	6KV
IK Rated	IK06
Rated Life	70,000 hours

ENERGY PERFORMANCE DATA

Part No.	Rated Wattage (W)	Delivered Lumens (lm)	Efficacy (lm/W)
HBDC-(215/180/135)/8A	215/180/135	32250/27000/20250	150
HBDC-(320/275/235)/8A	320/275/235	48000/41250/35250	150

\*Note- Lumen data based on 4000K CCT.

OPTICS



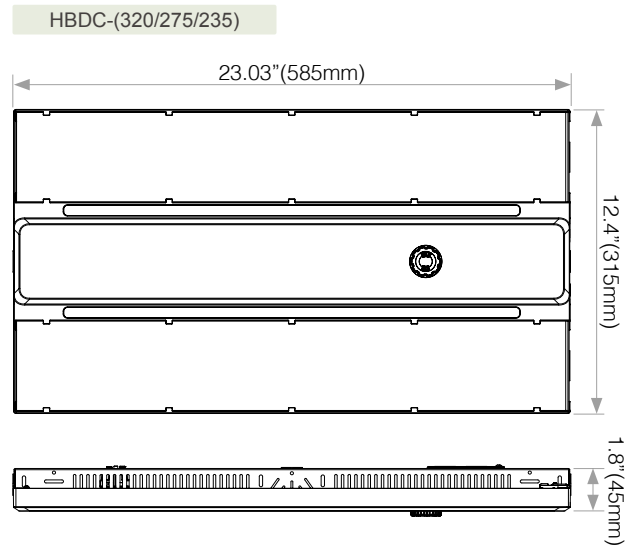
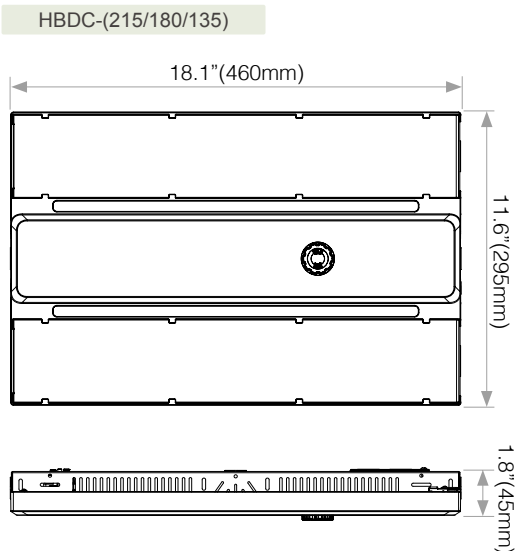
Note: Photometric layout for reference only.

Snap-on screwless design for easy optic swap



PHYSICAL PARAMETERS

DIMENSION



**CONTROLS (Field install in 5 seconds)**

OS:MMS-DC-PIR4T



MMS:MMS-DC4T



RC-100



AWN: (Athena wireless node RF only)

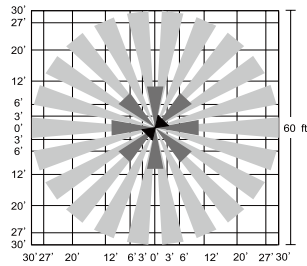
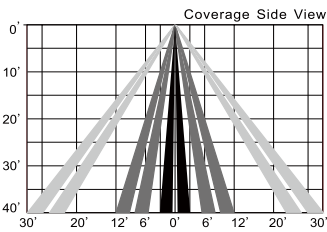


AWNS: (Athena wireless node with daylight and occupancy sensing)

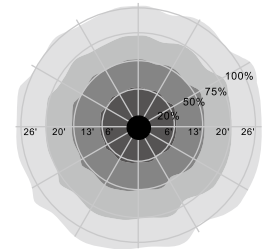
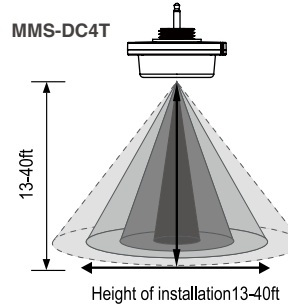


**COVERAGE**

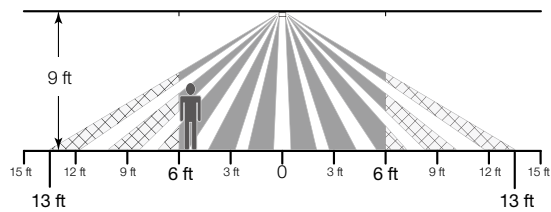
MMS-DC-PIR4T



MMS-DC4T

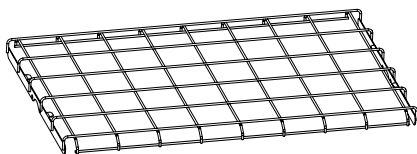


AWNS

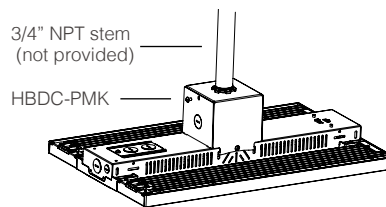


**ACCESSORIES**

HBDC-WG-XXXW



HBDC-PMK



HBDC-SMK

