

PROJECT NAME

CATALOG NO.

TYPE

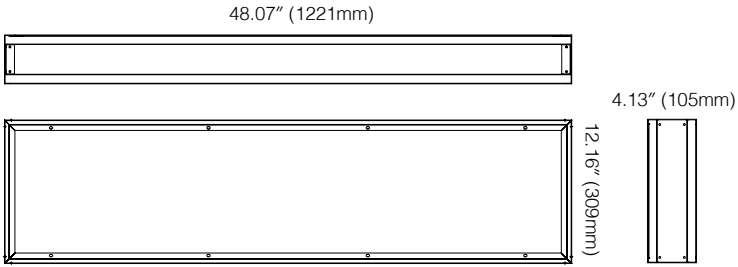
DATE

NOTE

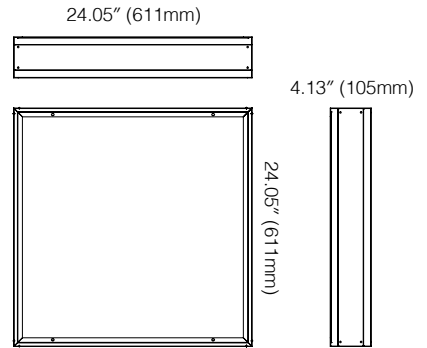
SURFACE MOUNT KIT

SMK-S2-XX
Surface Mount Kit

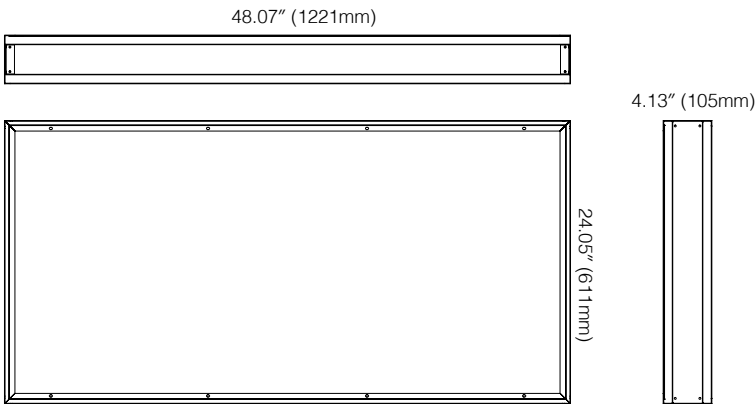
SMK-S2-14



SMK-S2-22



SMK-S2-24



ORDERING INFORMATION

Available with the following Alphalite products:

ILT-CB Series



STL Series



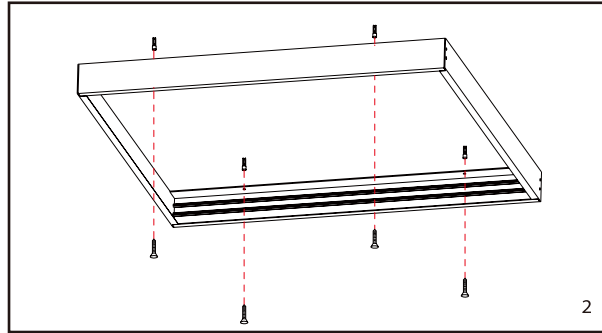
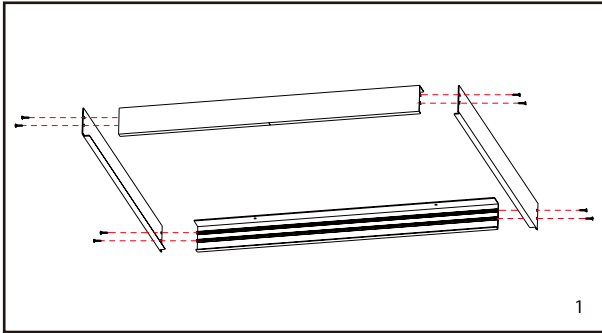
LTS Series



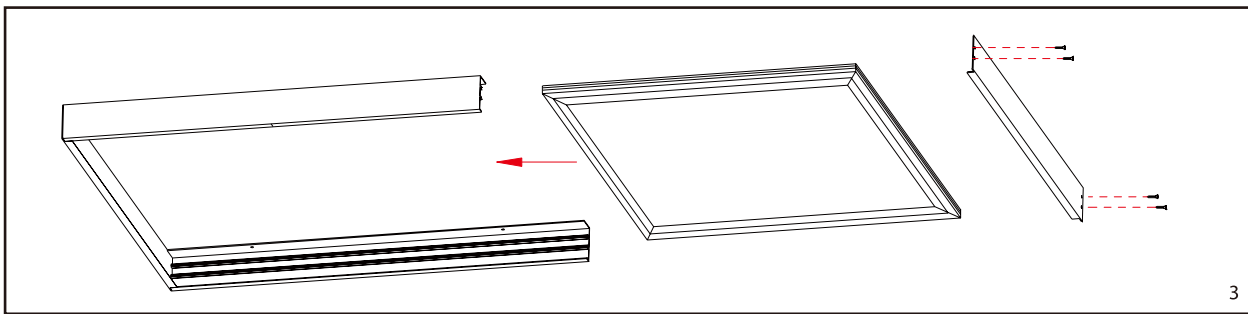
Installation Instructions

Surface Mount Installation Steps (Required additional SMK-S2-XX Kit):

1. Put the four pieces of frame together and fix them by screws.
2. Fix the frame onto the wall by screws.

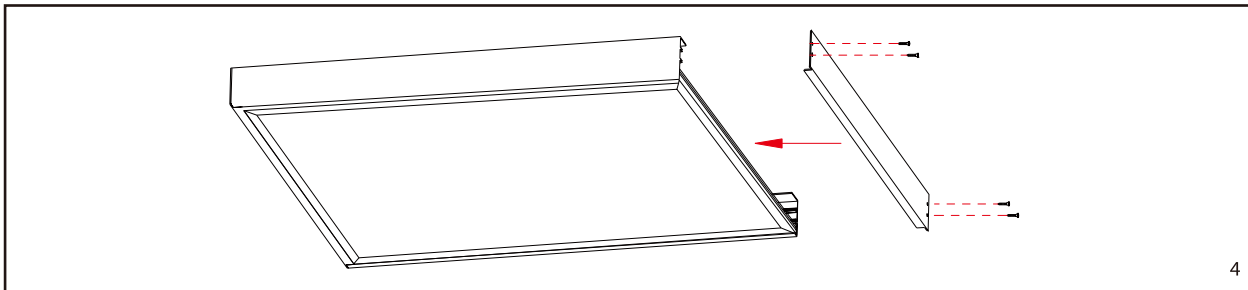


3. Dismantle one piece of frame and put the LED panel into the frame.

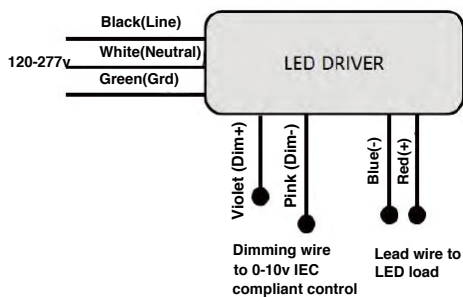


4. Fix the frame by putting back the dismantled part.

Note: The drivers and connector must be fixed to the back of LED fixture by adhesive tape.



Wiring Diagram:



PROJECT NAME

CATALOG NO.

TYPE

DATE

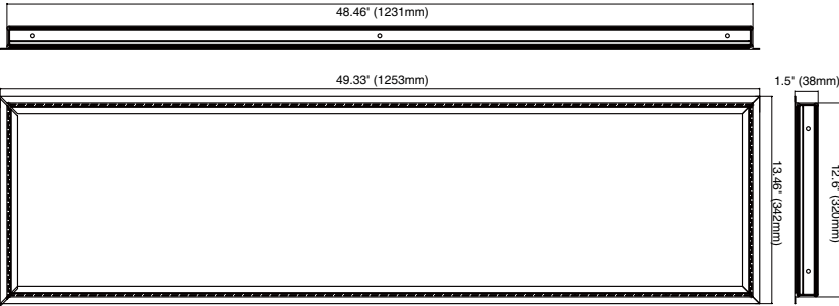
NOTE

FLANGE KIT FOR DRYWALL

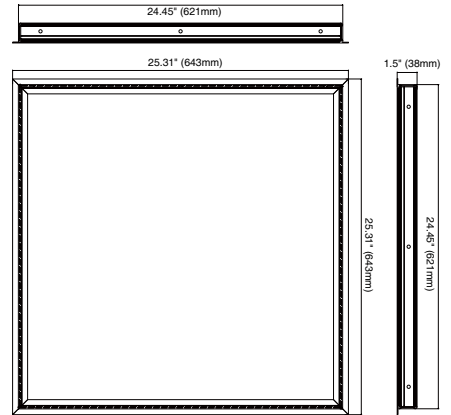
FLK-XX

Flange Kit for Drywall

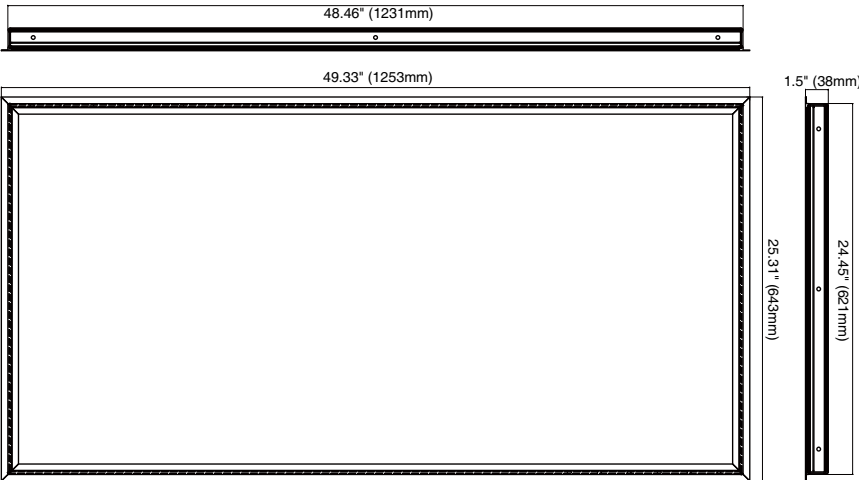
FLK-14



FLK-22



FLK-24



ORDERING INFORMATION

Available with the following Alphalite products:

BFPL Series

ILT-CB Series

STL Series

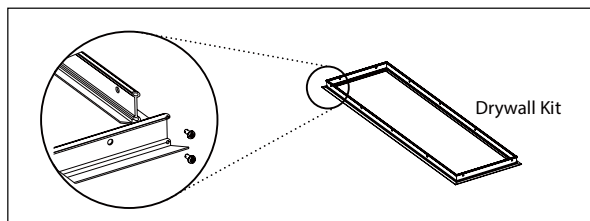
LTS Series



Installation Instructions

Frang recessed Drywall Mount Installation Steps (Required additional FLK-XX kit):

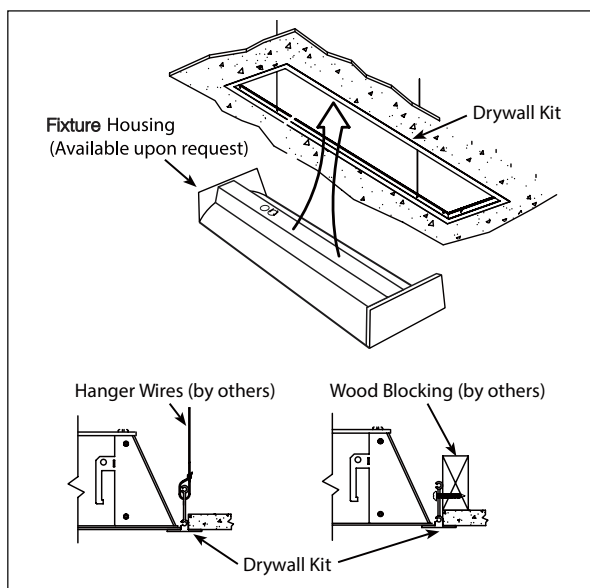
1. Assemble the four pieces of the **drywall kit** with the screws provided.



2. Support the drywall kit to the building structure by hanger wires (by others), alternatively screw to wood blocking (by others) or black iron (by others).

3. Follow wiring directions on fixture installation instruction sheet to complete electrical splices.

4. Rotate and slide the fixture as required to fit through the drywall opening as indicated by the directional arrow in figure and place it on the drywall kit.



Wiring Diagram:

