



PROJECT

TYPE

DATE

ITEM NO.

NOTE

LINEAR LED STRIP

ILL-S3 Series

Linear Luminaire

DESCRIPTION

The ILL S3 Series makes it an ideal choice for size restricted architecture applications. It can be the illumination solution in commercial, industrial, retail and residential applications. Fixtures can be used in storage/utility areas, coves, display cases, shops, task and general area lighting.

APPLICATION

Versatile solution for general purpose applications. Ideal for parking garages, corridors, hallways, stairwells, offices, closets, storage rooms, warehouse, manufacturing facilities, and spaces that require energy demand reduction and high quality light.



SPECIFICATION FEATURES

Benefits

- Lower installation costs and maintenance costs
- Attractive ROI
- Ideal for use with sensors and advanced controls
- Lower energy costs
- High quality light for a more productive space
- Convenient access to replaceable, standard components reduces life cycle costs

Construction

Reflector utilizes highly reflective powder coat finish. Diffuser lens provides even and consistent light while eliminating pixelation. Tool-less removal of diffuser allows access to LED array. LED module and driver are replaceable. Housing and optics maintain damp location rating with all internal components.

Finish

Highly reflective finish. Baked white paint, applied after fabrication.

Electrical

Luminaire utilizes long life, high efficacy LEDs and a highly efficient, reliable LED driver. 0-10V dim to off continuous dimming comes standard. Ideal when used in conjunction with controls and sensors. Comes equipped with quick disconnect for compliance with US code.

Optics

The ILL's LED light engine and integrated optics delivers enhanced light quality and distribution. PMMA Precision-formed diffuser designed LED light consistently, reducing glare and pixelation.

Certifications / Regulatory

cULus listed for dry and damp locations rated. IC rated. DLC Listed.

Warranty

7-year limited warranty. See complete warranty terms for details.

Quick Ship Product

- ILL-2(26/21/17/13S3)/8A
- ILL-4(34/26/21/17S3)/8A
- ILL-4(68/53/47/40S3)/8A
- ILL-8(68/52/42/34S3)/8A
- ILL-8(135/106/94/80S3)/8A

ORDERING INFORMATION

Sample Number: ILL-8(68/52/42/34S3)/8A

Series	Length	Lumen Package		CRI	CCT
ILL - Linear LED Strip	4 - 4'	4'	8'	8 - 80CRI	A - CCT Adjustable (6500/5000/4000/ 3500/3000K)
	8 - 8'	(34/26/21/17S3) - 34/26/21/17W, 5304/4056/3276/2652lm (68/53/47/40S3) - 68/53/47/40W, 10200/7950/7050/6000lm	(68/52/42/34S3) - 68/52/42/34W, 10200/7800/6300/5100lm (135/106/94/80S3) - 135/106/94/80W, 20520/16112/14288/12160lm	9 - 90CRI	

Auxiliary Power	Input Voltage	Driver Option	Control Option
(Blank) - without AUX 12V - with AUX 12V	(Blank) - 120-277V C - 120-347V 480 - 480V Step down transformer (Available for ILL-8 only)	(Blank) - 1-10 or 0-10V continuous dimming D10T1 - 100%-1% dimming CT - -40°C Cold Temperature 2D - Dual circuit	PIR - On/off PIR high bay motion and daylight sensor OS - Step dimming PIR motion and daylight sensor *configuration tool required OS-JDRFAS - JDRF self commissioning autonomy sensor, JDRF-AS-W-V01-1P MMS - Step dimming Microwave Sensor and daylight sensor *configuration tool required MMS-BLE - Wireless Bluetooth mesh and occupancy (PIR or Microwave) sensor AWNR - Lutron Athena wireless node integral fixture control (RF only) AWNS - Lutron Athena wireless node integral fixture control (RF with daylight and occupancy sensing) *Recommended to be used at heights of 8-12 feet for optimal coverage.

Emergency Backup	Assembly in USA	Accessories	
EM15W - 15W constant power with integrated self-diagnostic test	(Blank) - Non-BAA BAA - Assembly in USA	ILL-SUSM-ACCI - Suspended mount with aircraft cable type I up to 47" long. ILL-SUSM-CHAIN - Suspended mount with Chains up to 40" long. ILL-S3-4-PMK - Pendant mount kit (For 4ft fixture only)	ILL-S3-X-WG - Wire guard (X as 4,8 ft) ZCN-ILL-S3 - Fixture end connector WIEC-18/5 - Fixture end to end quick disconnect wiring

SUMMARY

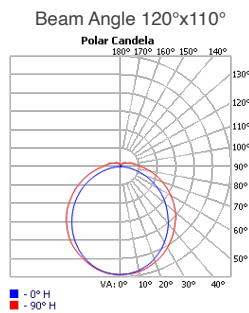
Input Voltage	120-277V
Input Power	See energy data for details
Power Factor	>0.9
THD (Max.)	10%
Efficacy	>150 LPW
Delivered Lumens	See energy data for details
Controls/ Dimming	0-10V dimming standard
Dimming Range	10-100%
CRI	>80
CCT	6500/5000/4000/3500/3000K Selectable
Operating Temp.	-4°F~122°F (-20°C~50°C)
Rated Life	70,000 hours

ENERGY PERFORMANCE DATA

Form Factor	Part No.	Rated Wattage (W)	Delivered Lumens (lm)	Efficacy (lm/W)
2'	ILL-2(26/21/17/13S3)/8A	26/21/17/13	4030/3255/2635/2015	155
4'	ILL-4(34/26/21/17S3)/8A	34/26/21/17	5304/4056/3276/2652	156
	ILL-4(68/53/47/40S3)/8A	68/53/47/40	10200/7950/7050/6000	150
8'	ILL-8(68/52/42/34S3)/8A	68/52/42/34	10200/7800/6300/5100	150
	ILL-8(135/106/94/80S3)/8A	135/106/94/80	20520/16112/14288/12160	152

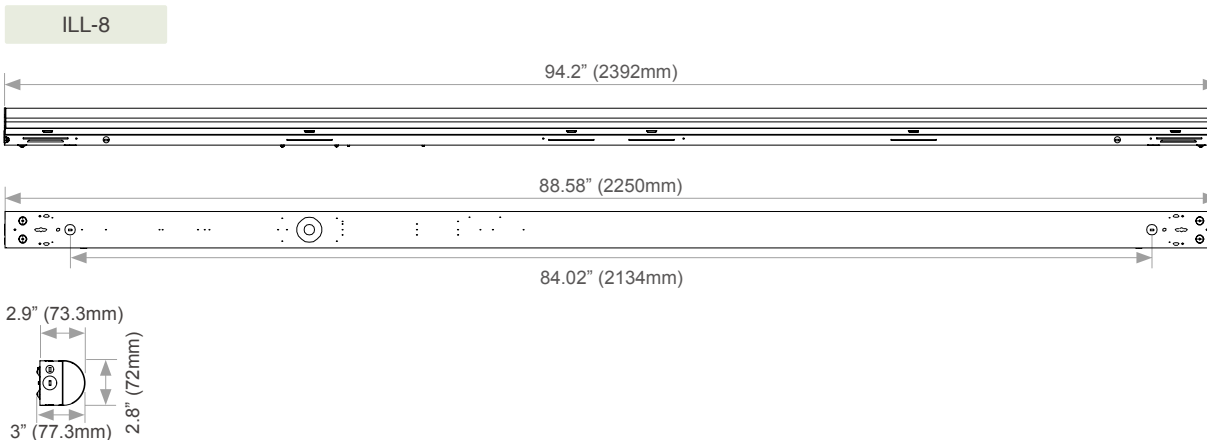
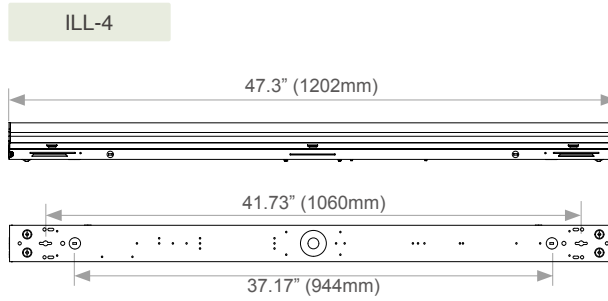
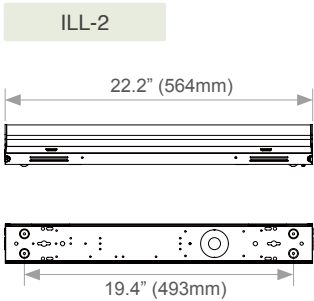
*The delivered lumens above are based on highest wattage and 4000K.
 **Default setting at time of shipping are highest wattage and highest CCT.

OPTICS



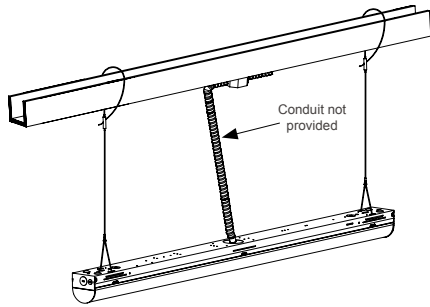
PHYSICAL PARAMETERS

DIMENSION

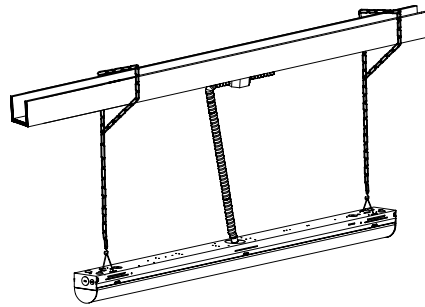


ACCESSORIES

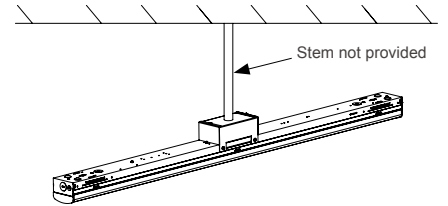
ILL-SUSM-ACCI



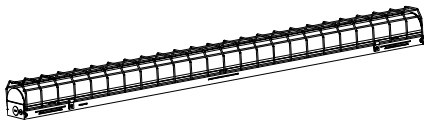
ILL-SUSM-CHAIN



ILL-S3-4-PMK



Wire Guard



ZCN-ILL-S3

