



PROJECT

TYPE

DATE

ITEM NO.

NOTE

## LED BOLLARD WITH ADJUSTABLE WATTAGE AND CCT

## BLG Series

Bollard

### DESCRIPTION

The BLG Series LED Bollard is a high-performance, up to 129 lumen per watts, providing significant energy savings while remaining durable in the field. The adjustable wattage and CCT option provide a wide range of lumen packages to replace traditional metal halide lighting from 50W to 100W. With an expected service life of over 20 years of nighttime use and up to 70% in energy savings over comparable 100W metal halide luminaires, the BLG Bollard is a reliable, low-maintenance lighting solution that produces sites that are exceptionally illuminated.

### APPLICATION

The rugged construction and clean lines of the BLG Bollard is ideal for illuminating building entryways, walking paths, and pedestrian plazas, as well as any other location requiring a low mounting height are desirable.

### SPECIFICATION FEATURES

#### Construction

One-piece 6-inch round die-casting aluminum shaft with thick side walls for extreme durability, a high-impact clear acrylic lens and welded top cap. Overall height is 42" standard. suitable for wet locations. 4KV surge protection come in standard.

#### Controls

Integrated DIP switches for CCT and Wattage adjustment. Emergency backup option.

#### Electrical

Light engines consist of high-efficacy LEDs mounted to metal-core circuit boards to maximize heat dissipation and promote long life. Electrical components are mounted on a removable power tray.

#### Optics

Clear UV-resistant polycarbonate lens ensures optimal light transmission while protecting the light engine compartment from harsh environmental conditions.

#### Certifications / Regulatory

cULus listed for wet locations

#### Warranty

5-year limited warranty. See complete warranty terms for details.



### Quick Ship Product



## ORDERING INFORMATION

Sample Number: **BLG-R-40L3-8A3-FT**

Series	Form Factor	Lumen Package	CRI	CCT
BLG - LED Bollard	R - Round S - Square	40L3 - 30/20/10W, 3870/2580/1290lm	8 - CRI>80	A3 - Adjustable CCT (5000/4000/3000K)
Top Shape	Input Voltage	Finish	Photosensor	Emergency Backup
FT - Flat Top DF - Dome Top	(Blank) - 120-347V	(Blank) - Dark Bronze BK - Black	(Blank) - without Photosensor PS - with Photosensor	EM8W - 8W constant power emergency backup

### Accessories

**BLG-R-180SK** - 180° Shield Kit for round fixture, dark bronze finish

**BLG-R-180SK-BK** - 180° Shield Kit for round fixture, black finish

**SUMMARY**

Input Voltage	120-347V
Input Power	See energy data for details
Power Factor	> 0.9
THD (Max.)	20%
Efficacy	See energy data for details
Delivered Lumens	See energy data for details
CRI	> 80
CCT	5000/4000/3000K Selectable
Operating Temp.	-40°F~104°F (-40°C~40°C)
Rated Life	70,000 hours
IP Grade	Outdoor, wet locations

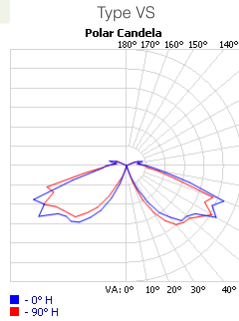
**ENERGY PERFORMANCE DATA**

Part No.	Rated Wattage (W)	Delivered Lumens (lm)	Efficacy (lm/W)
BLG-R-40L3-8A3-FT	30/20/10	3870/2580/1290	129
BLG-R-40L3-8A3-DT	30/20/10	3870/2580/1290	129
BLG-S-40L3-8A3-FT	30/20/10	3750/2500/1250	125

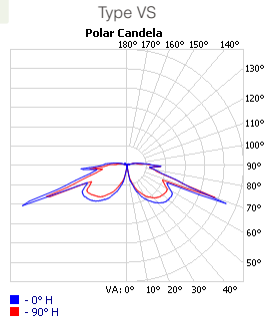
\*The delivered lumens above are based on highest wattage and 4000K.  
 \*\*Default setting at time of shipping are highest wattage and highest CCT.

**OPTICS**

BLG-R



BLG-S



**TYPE**



BLG-R-40L3-8A3-FT

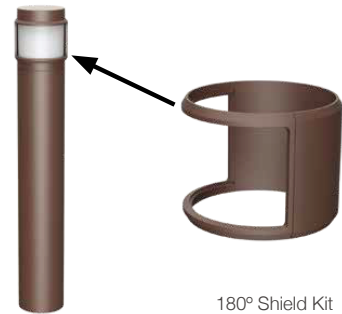


BLG-R-40L3-8A3-DT



BLG-S-40L3-8A3-FT

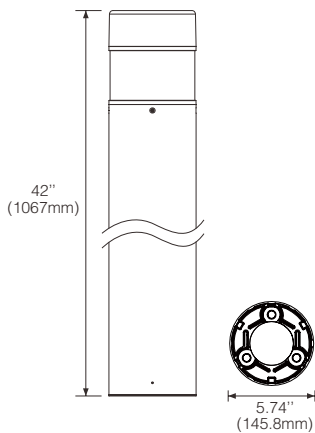
**R-180SK**



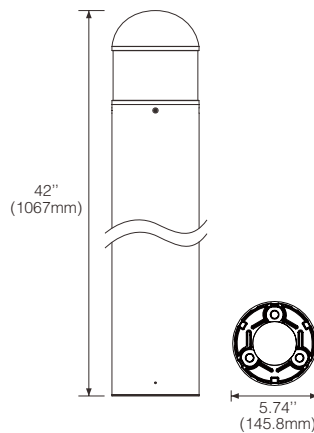
180° Shield Kit

**DIMENSION**

BLG-R-40L3-8A3-FT



BLG-R-40L3-8A3-DT



BLG-S-40L3-8A3-FT

