



PROJECT

TYPE

DATE

ITEM NO.

NOTE

LED COMMERCIAL DOWNLIGHT

CSDL Series

Downlight

DESCRIPTION

The CSDL Series LED Commercial Downlight is an economical all-in-one solution for recessed down lighting for commercial lighting applications. Easy to install in new construction and replace most manufacturers incandescent, CFL or HID fixtures. CSDL series comes in 4", 6", 8", and 10" trim.

APPLICATION

Indoor general/ambient illumination. Ideal for offices, hotels, retailers, and other architectural spaces that require energy demand reduction and high quality light.



SPECIFICATION FEATURES

Construction

CSDL Series is built with easy conversion method and installation can be performed from below the ceiling without removing existing fixture. Housing and optics maintain wet location rating, with metal conduit and suitable for G1/2 knockout.

Electrical

Luminaire utilizes long life, high efficacy LEDs and a highly efficient, reliable LED driver. 120-347V input voltage for increased versatility. Suitable for wet location. Non-IC rated.

Controls

Suitable for use with dimming wall switch to achieve deeper energy-savings and code compliance. Recommended dimmers: DIVA-DVTV(LUTRON), NOVA T NTSTV- DV(LUTRON).

Certifications / Regulatory

cETLus listed for wet location rated.

Warranty

5-year limited warranty. See complete warranty terms for details.

Quick Ship Product

CSDL-4-20A/8A-50D
 CSDL-4-20A/8A-70D
 CSDL-6-40A/9A-50D
 CSDL-6-40A/9A-70D
 CSDL-8-60A/8A-40D
 CSDL-8-60A/8A-60D
 CSDL-10-60A/8A-40D
 CSDL-10-60A/8A-60D

ORDERING INFORMATION

Sample Number: **CSDL-4-20A/8A-50D**

Series	Trims Size	Lumen Package		CRI	CCT
CSDL - CS Downlight	4 - 4"	4"	8"	8 - 80CRI	A - Adjustable CCT (5000/4000/3000K)
	6 - 6"	4-20A	8-60A	9 - 90CRI (option)	
	8 - 8"	- 20/15/10W,1850/1425/950lm	- 60/50/40W,6200/5375/4300lm		
	10 - 10"	6"	10"		
		6-40A	10-60A		
		- 40/30/20W,4000/3300/2200lm	- 60/50/40W,6200/5375/4300lm		

Beam Angle	Color	Emergency Backup	Accessories
50D - 50° beam angle (For 4", 6" only)	(Blank) - White	EM-8W - 8W EM	CSDL-NCB-DW - New Construction Bracket for Drywall (only compatible with 4-8" trim but not 10" trim)
70D - 70° beam angle (For 4", 6" only)	BK - Black (option)	EM-18W - 18W EM	CSDL-NCB-TG - New Construction Bracket for T-Grid
40D - 40° beam angle (For 8", 10" only)		* Require field installation	
60D - 60° beam angle (For 8", 10" only)			

SUMMARY

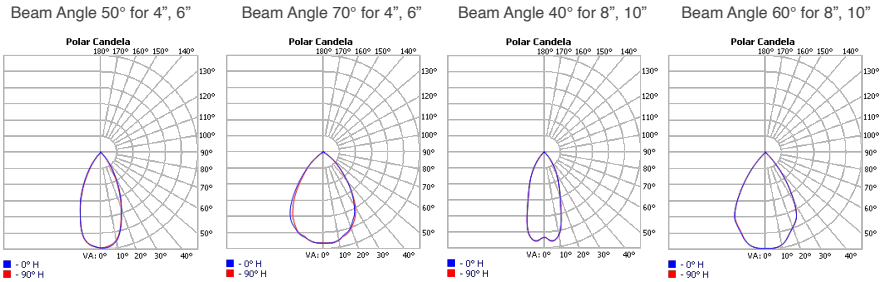
Input Voltage	120-347V
Input Power	See energy data for details
Power Factor	>0.9
THD (Max.)	20%
Efficacy	95-110 LPW
Delivered Lumens	See energy data for details
Controls/ Dimming	Full Range 0-10V dimming standard
Dimming Range	10-100%
CRI	>80
CCT	2700K, 3000/4000/5000K Selectable
Operating Temp.	-4°F~+104°F (-20°C~+40°C)
Rated Life	50,000 hours

ENERGY PERFORMANCE DATA

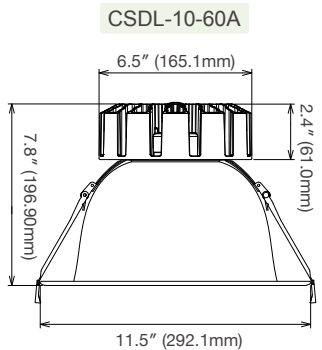
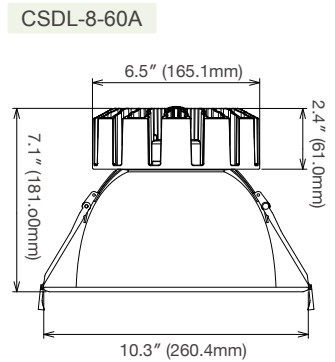
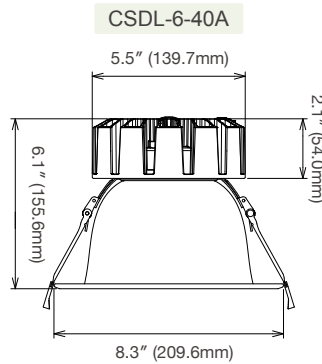
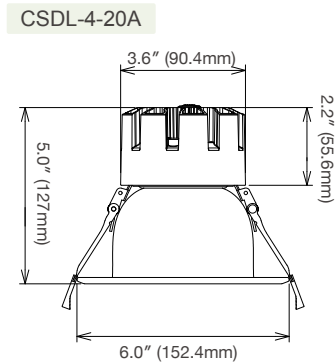
Part No.	Rated Wattage (W)	Delivered Lumens (lm)	Efficacy (lm/W)
CSDL-4-20A/8A-50D	20/15/10	1850/1425/950	95
CSDL-4-20A/8A-70D	20/15/10	1850/1425/950	95
CSDL-6-40A/8A-50D	40/30/20	4000/3300/2200	110
CSDL-6-40A/8A-70D	40/30/20	4000/3300/2200	110
CSDL-8-60A/8A-40D	60/50/40	6200/5375/4300	105
CSDL-8-60A/8A-60D	60/50/40	6200/5375/4300	105
CSDL-10-60A/8A-40D	60/50/40	6200/5375/4300	105
CSDL-10-60A/8A-60D	60/50/40	6200/5375/4300	105

*The delivered lumens above are based on highest wattage and 4000K.
 **Default setting at time of shipping are highest wattage and highest CCT.

OPTICS



PHYSICAL PARAMETERS



Accessory

