

# Installation Instructions

## Architecture LED Linear

Installation guide valid for the following models:

**ILA-2D**

**ILA-4D**

**ILA-6D**

**ILA-8D**



### **WARNING**

#### **RISK OF FIRE OR ELECTRIC SHOCK**

The ILA Series must be installed by a qualified electrician in accordance with applicable federal, state, and local laws and codes. Installation requires knowledge of luminaire electrical systems and installer should be familiar with the operation of this product. If not qualified, do not attempt installation; contact a qualified electrician. Manufacturer assumes no responsibility for the improper installation of this luminaire. When installing the fixture, drilling may damage luminaire wiring and electrical parts. Check for wiring and components in enclosure before drilling.

### **WARNING**

To prevent wiring damage or abrasion, do not expose wiring to edges of sheet metal or other sharp objects. When installing this kit, drilling may damage luminaire wiring and electrical parts. Check for wiring and components in enclosure before drilling.

### **CAUTION**

#### **RISK OF PERSONAL INJURY**

- Wear gloves or proper handling protection to prevent cuts or abrasions when handling and maintaining this product. This equipment may have sharp edges. To reduce the risk of death, personal injury or property damage from fire, electric shock, falling parts, cuts/abrasions, and other hazards read all warning and instructions included with and on the fixture box and all fixture labels.
- Avoid direct eye exposure to the light source while it is on.

### **WARNING**

#### **RISK OF PERSONAL INJURY, FIRE OR ELECTRIC SHOCK**

- Turn OFF power before installation.
- Do not handle energized fixture when hands are wet, when standing on wet or damp surfaces, or in water

### **NOTICE**

- Do not install any part of the luminaire less than 5 feet above the floor or closer than 5 inches from any window treatments, i.e., curtains, blinds or any similar combustible type materials.
- Check to make sure that all fixture connections have been properly made and the fixture is grounded to avoid potential electrical shocks.
- Use only UL approved wire input/output connections. Minimum size 18 AWG if there are any continuous runs.
- If the fixtures are connected in a continuous run, do not exceed allowable number of fixtures in series/power in continuous runs.

Contact manufacturer with any questions or concerns regarding installation of this luminaire.

# Alphalite

# Installation Instructions Architecture LED Linear Light

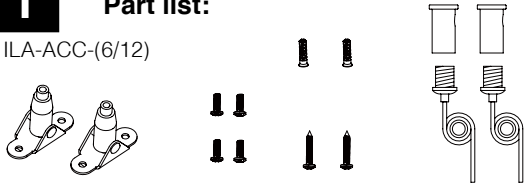
## Suspension without canopy

**ILA-ACC-(6/12)**- 6.5 or 12 ft Aircraft cable without canopy

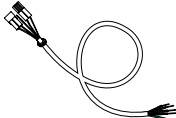
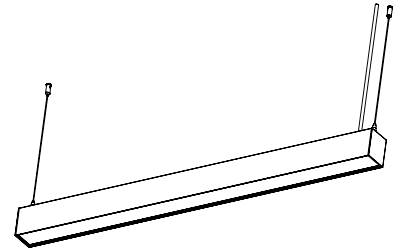
**ILA-CRD7-(WH/BK)** - 7ft 18AWG AC cable

**1 Part list:**

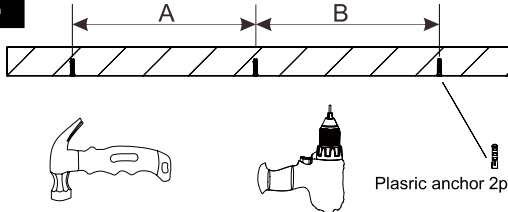
ILA-ACC-(6/12)



ILA-CRD7-(WH/BK)

**2**

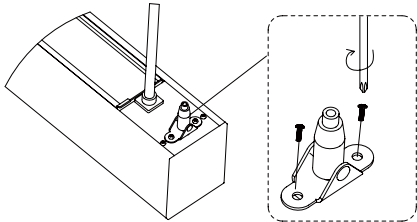


Plastic anchor 2pcs

Fixture	A Distance (inch)	B Distance (inch)
2ft	22.205	\
4ft	45.827	\
6ft	69.449	\
8ft	93.07	\

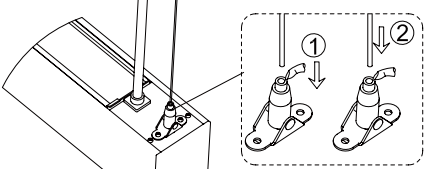
Drill the holes ( $\Phi$  3/16") according the distance above, install the plastic anchor to the holes.

**4**



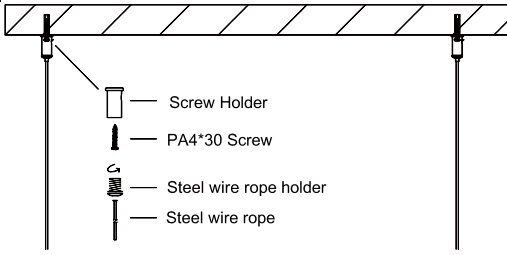
Lock the two steel wire rope pedestal on the fixture

**5**



Press down the inner hole of the wire rope pedestal and pass the wire rope through the hole at the same time.

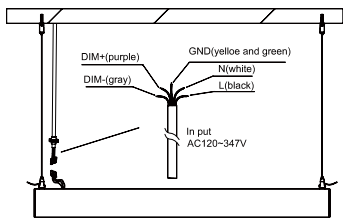
**3**



Screw Holder  
PA4\*30 Screw  
Steel wire rope holder  
Steel wire rope

Install the aircraft into the ceiling holes.

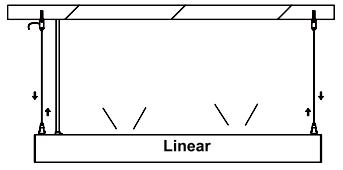
**6**



DIM+(purple) GND(yellow and green)  
DIM-(gray) N(white)  
L(black)  
In put AC120-347V

Wiring connect according the wire code

**7**



Linear

Pull aircraft cable through wire rope pedestal and adjust to desired height, and then finish the intallation.

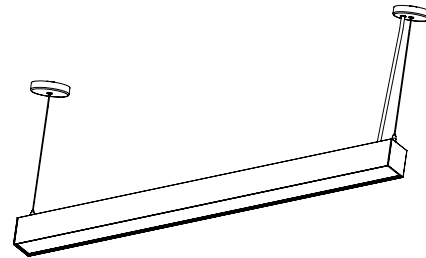
# Alphalite

# Installation Instructions Architecture LED Linear Light

## Suspension with canopy

**ILA-PSCA-CRD7-(WH/BK)**- Canopy with AC cable  
K/O + 6.5ft Aircraft cable + 7ft 5pins AC cable

**ILA-SCA-(WH/BK)**- D125mm\*H20mm Canopy + 6.5ft  
aircraft cable



**1**

Fixture	A (inch)	B (inch)	C (inch)	D (inch)	E (inch)
2ft	3.346	18.858	3.346	\	\
4ft	3.346	42.480	3.346	\	\
6ft	3.346	66.102	3.346	\	\
8ft	3.346	89.723	3.346	\	\

Drill the holes ( $\Phi$  3/16") according the distance above, install the plastic anchor to the holes.

**2**

M type mounting bracket

Install the M type mounting bracket

**3**

Lock the two steel wire rope pedestal on the fixture

**4**

Press down the inner hole of the wire rope pedestal and pass the wire rope through the hole at the same time.

**5**

Hex Nut

Canopy

Steel wire rope holder

Cable protective cover

Insert steel wire rope holder into the middle hole of the canopy and tighten the steel wire rope holder with hex nut, clip the protective cover into the side hole of the canopy.

**6**

Press the holder and then pass the wire rope through the holder at the same time.

**7**

J-box

DIM+ (purple)

DIM- (gray)

GND (yellow and green)

N (white)

L (black)

Wiring connect according the wire code

**8**

J-box

Linear

Wiring connect according the wire code

**9**

Pull aircraft cable through wire rope pedestal and adjust to desired height, and then finish the installation.

# Alphalite

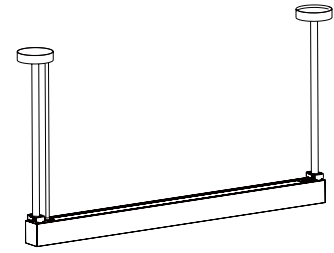
# Installation Instructions

## Architecture LED Linear Light

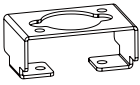
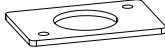

### Pendant Mount

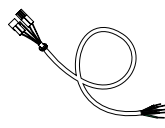
**ILA-PMK-(WH/BK)**- Pendant mount kit, suitable for OD stheads 3/8" and 1/2" stem (stem and canopy not included)


**ILA-CRD7-(WH/BK)**- 7ft 18AWG AC cable with connector

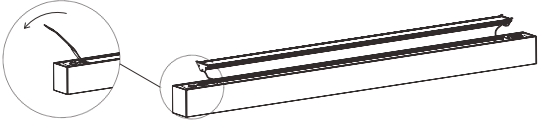


**1 Part list:**

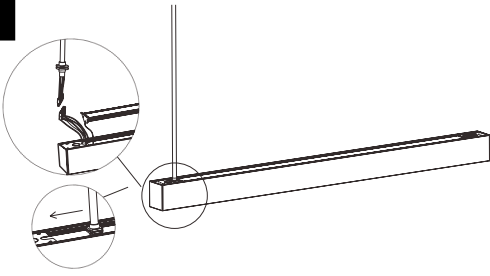
ILA-PMK-(WH/BK)     
 bracket plate screw

ILA-CRD7-(WH/BK) 

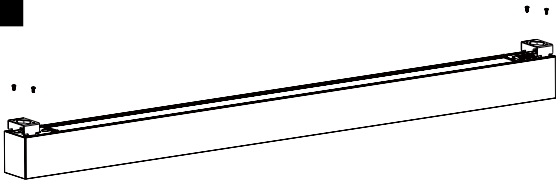
Stem and canopy (not provided) (O.D. 3/4" or 1/2") 

**2** 

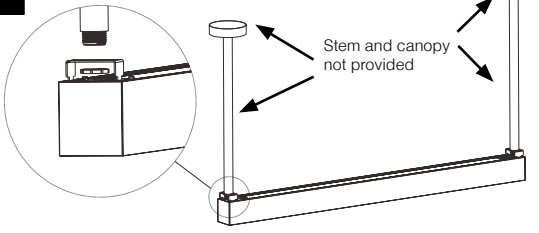
Open the cover by flat screwdriver

**3** 

Connect the ILA-CRD7 AC cable with the connector  
 Insert the cable with the fixture  
 Install the cover

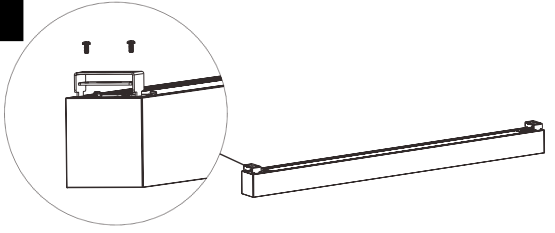
**4** 

Fixed both bracket on the fixtures

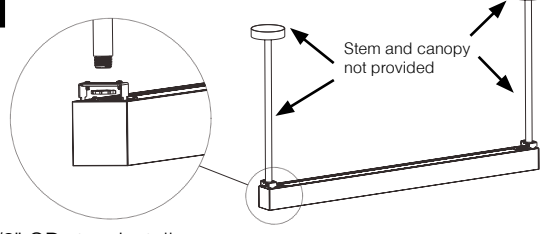
**5** 

Stem and canopy not provided

For 3/4" OD stem install  
 3/4" OD IPS stems (not provided) passes through the brackets  
 Locks the stems with the brackets using the panel nuts

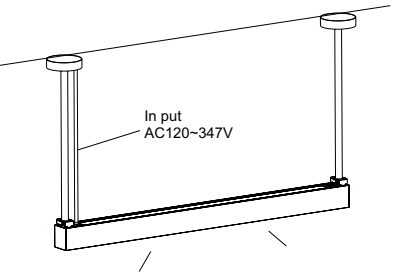
**6** 

Or for 1/2" OD stem install  
 add the plates under the brackets for 1/2" stems and lock it

**7** 

Stem and canopy not provided

1/2" OD stem install  
 1/2" OD IPS stems (not provided) passes through the brackets  
 Locks the stems with the brackets using the panel nuts

**8** 

In put AC120-347V

Check it and power on

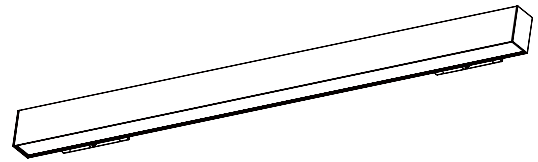
# Alphalite

# Installation Instructions

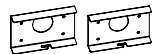




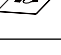

## Architecture LED Linear Light

### Wall Mount B version

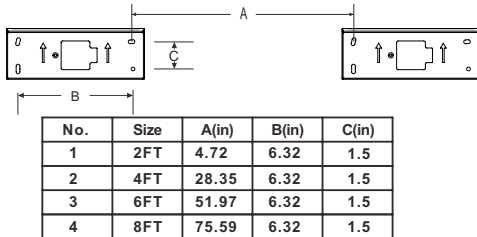
**ILA-WMKB-(WH/BK)**- Wall mount B version  
(Factory modification required)



#### 1 Part list:

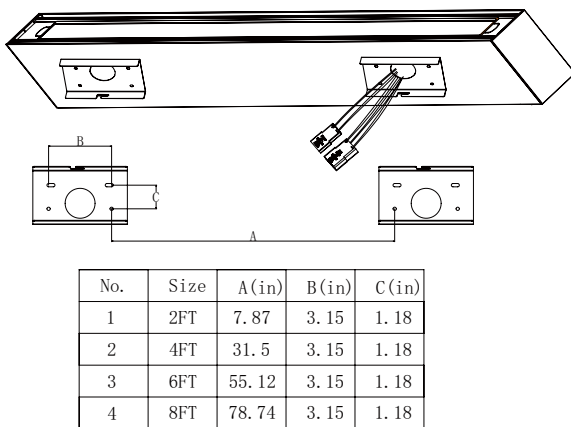
-  **Bracket F** for mount on fixture
-  **Rivets** for mount the bracket F
-  **Anchor** for wall mount
-  **Bracket W** for wall mount
-  **Tapping screws** for mount the bracket W
-  **Screw** for lock the bracket
-  **Cover** for covering the junction box if need

#### 2



Drill the holes on the wall according to the distances above, and fix the anchor and then install the bracket W on the wall by tapping screws.

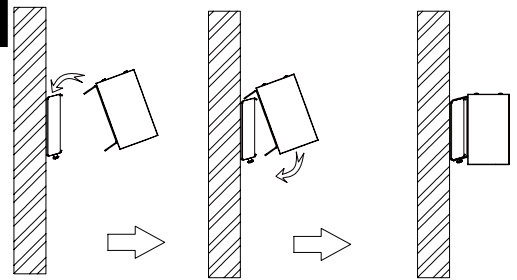
#### 3



Drill the holes on the fixture for install the bracket F and connect the power cord.

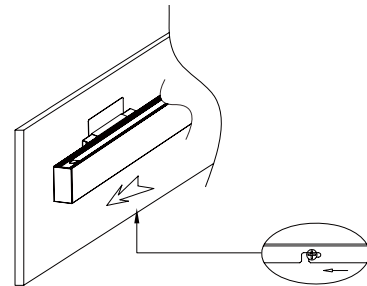
For power cord: Diameter 0.86" to 1.4".  
For install the bracekt F: Diameter 3/16", distances according to the A,B, C size.

#### 4



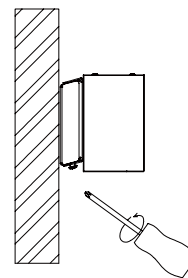
Install the bracket F and wiring the fixture with supply power.

#### 5



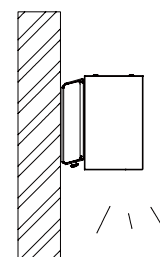
Hook the fixture on the bracket W, and push toward left.

#### 6



Tighten the screw to lock the fixture on site.

#### 7



Finish installation and turn on the light

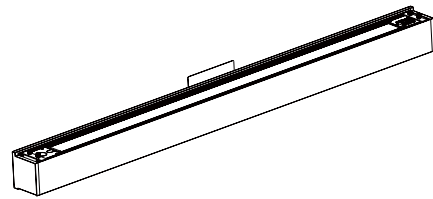
# Alphalite

# Installation Instructions

## Architecture LED Linear Light

### Wall Mount C version

ILA-WMKC-xFT-(WH/BK)- Wall mount C version



**1 Part list:**

1	C Wall-mount Bracket	1PC
2	Square Decorative	1PC
3	L support	2PCS
4	Plastic Anchor	4PCS
5	Cross head tapping	4PCS
6	Hand screw	4PCS
7	Screw	1PC
8	End cap	2PCS
9	Linkable bracket	1PC

**4**

Connect the power cord with junction box and then put the fixture into the bracket and lock it with the bracket.

**2**

Drill the holes on the wall according to C wall-mount bracket, and fix the plastic anchor and then fit the bracket on the wall.

**5**

Install the end caps which provided by ILA-WMKC-xFT-(WH/BK) (not the original caps that removed from fixture), make sure connect the power cord with the fixture and the cords at the correct place.

**3**

Push the L support bracket into the wall mount bracket.

**6**

Finish installation and turn on the light

# Alphalite

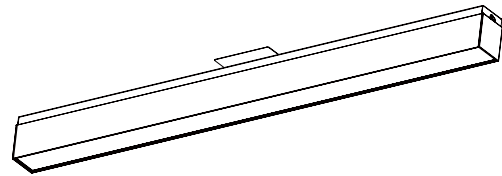
# Installation Instructions

## Architecture LED Linear Light

### Surface Mount

ILA-SMK-xFT-(WH/BK)- Surface mount kit

ILA-CRD7-(WH/BK)- 7ft 18AWG AC cable with connector



**1 Part list:**

1	Surface Mount Bracket	1199*69*20mm (4ft)
2	Bracket 2	43*22.5*18mm
3	Safety cable	L=150mm
4	Round head pull nail	4*5mm
5	Countersunk head screw	PM4*10
6	Plastic Anchor	4*28mm
7	Cross head tapping screw	PA4*35M
8	Round head machine screws	PM4*8mm
9	Decorative plate	140*140mm T=0,6mm

**4**

Hook the safety cable on the slot of the surface mount bracket.

**5**

Connect the power cord, clear up the wires and safety cables, clip the fixture into the slot of surface mount bracket on two sides.

**6**

Fix the screws on two sides of the fixture.

**7**

Finish installation and turn on the light

**2**

No.	Size	A(in)	B(in)	C(in)
1	2FT	18.898	/	/
2	4FT	42.520	/	/
3	6FT	25.984	14.173	25.984
4	8FT	37.795	14.173	37.795

Drill the holes on the ceiling according to the distances above, and fix the plastic anchor ⑥ in the holes.

**3**

Install the decorative plate ⑨ with the surface mount bracket, fix the surface mount bracket ① on the ceiling with tapping screw ⑦.

**Alphalite**

# Installation Instructions

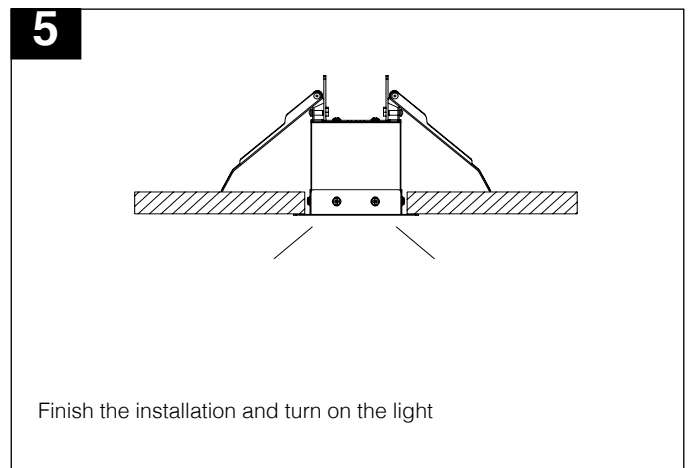
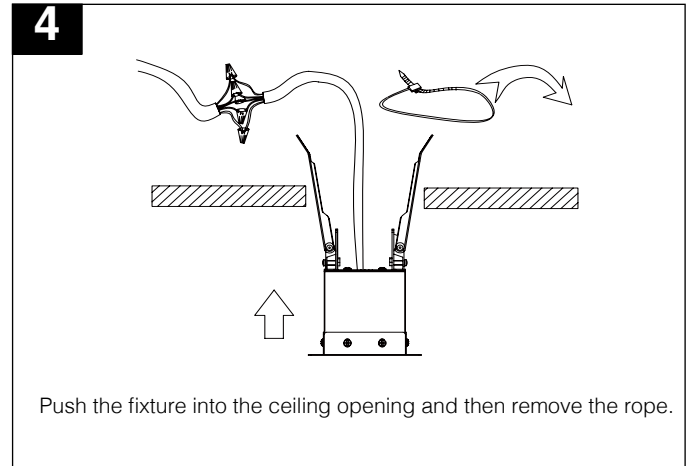
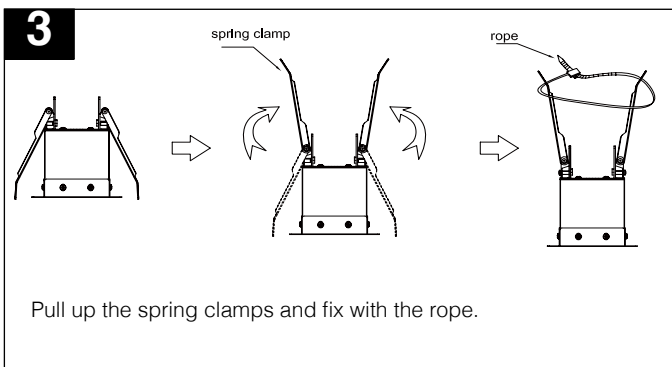
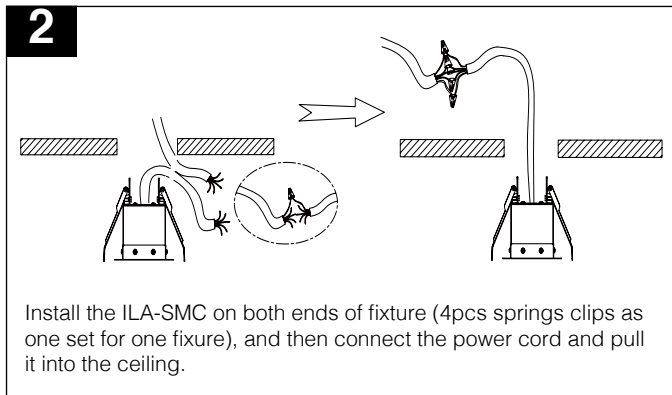
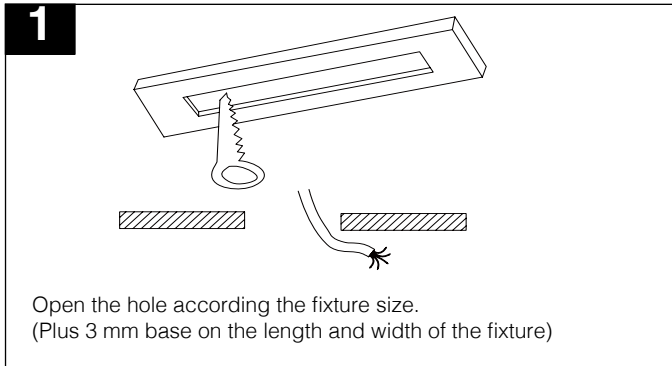
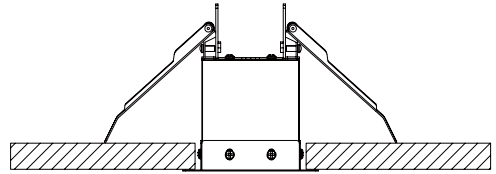
## Architecture LED Linear Light

### **Springs Clip Recessed** (Factory installed)

**ILA-MSC**- Springs clips kit

**ILA-TRIMS-xFT-(WH/BK)**- Trims for recessed mount  
(Required preinstall)

**ILA-CRD7-(WH/BK)**- 7ft 18AWG AC cable with connector



# Alphalite

# Installation Instructions

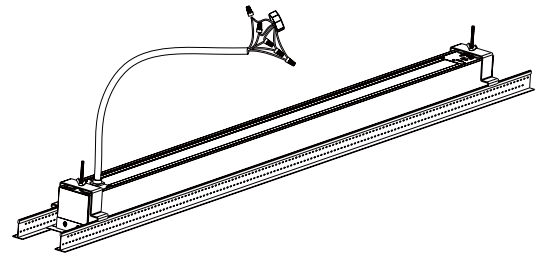
## Architecture LED Linear Light

### T-Bar Recessed

**ILA-TR**- T-bar recessed mount kit, trimless

**ILA-TRIMS-xFT-(WH/BK)**- Trims for recessed mount (optional and factory installed required)

**ILA-CRD7-(WH/BK)**- 7ft 18AWG AC cable with connector



**1** ILA-TR x2sets

Bracket x2pcs    Fix plate x 2pcs    Wing nut x 2pcs    Washer x 2pcs  
PM4\*8mm screw x 4pcs

**2**

Check or adjust the distance between two T-Grid  
If the distance is 2.52-2.63 inches, the TRIMS is not necessary;  
If the distance is 2.65-3.15 inches, pre-installed TRIMS is required

**3**

this image has pre-installed the trims

Locks the fix plates on fixture using the PM4 screws

**4**

5pins 7ft cable CRD7

Connect CRD7 with fixture  
Put the fixture on the T-Grid  
Locks two brackets using the washer and wing nut  
Adjust the wing nuts to ensure the fixture is supported on T-Grid

**5**

DIM+(purple)  
DIM-(pink)  
GND(green)  
L(black)  
N(white)

Connect the wires of AC input and dimmer if you have

**6**

Check it and power on

# Alphalite

# Installation Instructions

## Architecture LED Linear Light

### Frange Recessed

**ILA-FR-** Frange recessed mount kit

**ILA-TRIMS-xFT-(WH/BK)-** Trims for recessed mount (optional and factory installed required)

**ILA-CRD7-(WH/BK)-** 7ft 18AWG AC cable with connector

**1** ILA-FR x2sets

Bracket x2pcs      Fix plate x 2pcs

Screw PA4\*30 x4pcs      Anchor x 4pcs

wing nut x2pcs      washer x2pcs

**2** Drywall requires thickness > 35mm

Suggest hole size						
No.	Fixture	Fixture size (MM)	A(MM)	B(MM)	C(MM)	D(MM)
1	2FT	606*70*80	608	72	564	98
2	4FT	1206*70*80	1208	72	1164	98
3	6FT	1806*70*80	1808	72	1764	98
4	8FT	2406*70*80	2408	72	2364	98

Rectangular holes reserved on the ceiling according to the requires (A\*B)  
Drill 4 holes on drywall for the bracket according to the "C" and "D" size

**3**

Lockes the brackets on site using the wall anchor and PA4 screws

**4**

5pins 7ft cable  
ILA-CRD7

Locks the fix plates on fixture using the PM4 screws

**5**

Push the fixture up from under the ceiling. Insert the threaded posts on the fixture into the opening of the brackets, and then locks it using the washer and wing nuts. Adjust the wing nuts to ensure the fixture in the same horizontal plane as the ceiling.

**6**

DIM+(purple)      L(black)

DIM-(pink)      N(white)

GND(gree)

Connect the wires of AC input and dimmer if you have

**7**

Check it and power on

# Alphalite

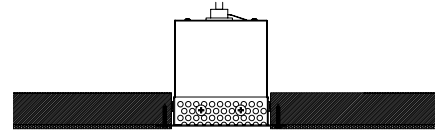
# Installation Instructions

## Architecture LED Linear Light

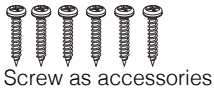
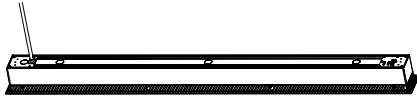
### Mud-in Trimless Recessed

**ILA-MR-** Mud-in trimless recessed mount kit  
(Factory installed required)

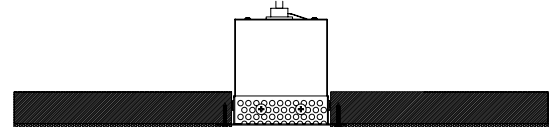
**ILA-CRD7-(WH/BK)-** 7ft 18AWG AC cable with connector



**1** ILA-MR preinstalled (and power cable connected)

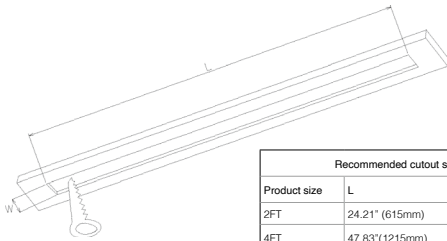


**5**



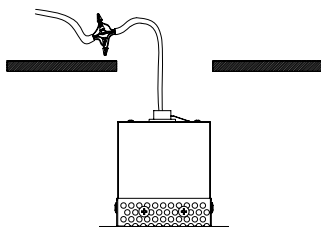
Apply joint compound around the flange. The mud should stop at the lens.

**2** Cutout the hole (Drywall requires thickness > 35mm)



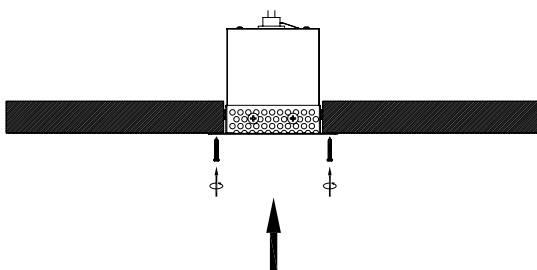
Recommended cutout size		
Product size	L	W
2FT	24.21" (615mm)	2.95" (75mm)
4FT	47.83" (1215mm)	2.95" (75mm)
6FT	71.56" (1815mm)	2.95" (75mm)
8FT	95.08" (2415mm)	2.95" (75mm)

**3**



Connect the wires of AC input and dimmer.  
Power on to check it, ensure it is running well.

**4**



Fix the fixture to the ceiling by screws

# Alphalite

# Installation Instructions Architecture LED Linear Light

## Linking installation

### ILA-LB- Linking bracket

**1**

1.89" AC line output hole Plastic anchor

No.	Size	A(in)	B(in)	C(in)	D(in)	E(in)	Remark
1	2FT	22.205	1.417	22.205	1.417	22.205	3pcs linkable diagrammatic drawing
2	4FT	45.827	1.417	45.827	1.417	45.827	3pcs linkable diagrammatic drawing
3	6FT	69.449	1.417	69.449	1.417	69.449	3pcs linkable diagrammatic drawing
4	8FT	46.535	1.417	46.535	1.417	46.535	2pcs linkable diagrammatic drawing

Measure and make down the positions according to the distances above, and then install the first linear light as suspension mount.

**2**

2-a 2-b End cap linear1

Remove one end cap as show on 2-b image.

**3**

AC Input line Up light module DC linear1 Lift

Lift up the up-light module as image above.

**4**

Up light module linkable wire Buckles Linkable Bracket linear1

Put the linking bracket into the linear 1 and push it and lock with the buckle inside, pull out the linkable wire from linear 1.

**5**

OFF male plug female plug linear1 linear2

Remove the end caps of linear light 2 and connect the linkable wire with linear light 1, and then insert the linear light 2 to the bracket, make them fix together seamlessly.

**6**

In put AC120-347V linear1 linear2

Check the status after linked to make sure no any gap between two fixtures.

**7**

Up light module DC linear2

Check the male and female connectors are securely connected, and then install the up light module (or cover).

**8**

In put AC120-347V linear1 linear2 linear (N)

Install more linear light as the steps above, and rounding adjust the steel wire rope in the same height. Power on to check it.

**9**

Link Instruction and Disclaimer

Linear (01) ... Linear (N)

Max. linkable Quantity (Unit:PC)  
Linkable fixtures Qty need to meet the below two conditions:  
1)  $N \leq 7$ pcs  
2) Input voltage = 120V,  $N \cdot P \leq 420W$   
Input voltage = 277V,  $N \cdot P \leq 960W$   
Input voltage = 347V,  $N \cdot P \leq 1200W$   
Note: N = Qty of linkable fixtures,  
P = Wattage per fixture

Note: Maximum wattage per run with the power cord.

# Alphalite