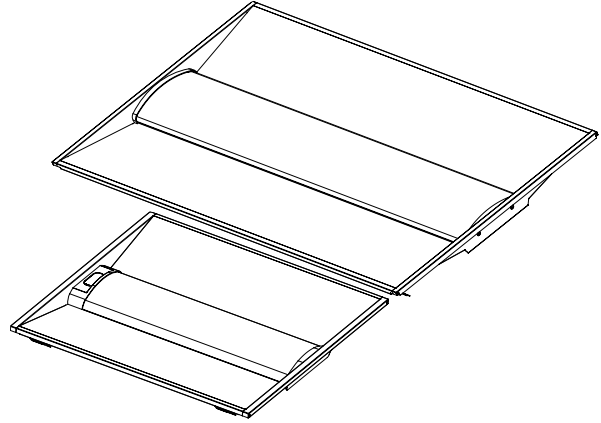


Installation Instructions

Infinity Volumetric LED Troffer

ILT-CB Series



WARNING Risk of Fire and Electric Shock.

The luminaire must be installed by a qualified electrician in accordance with applicable federal, state, and local laws and codes. Installation requires knowledge of luminaire electrical systems and installer should be familiar with the operation of this product. If not qualified, do not attempt installation; contact a qualified electrician. Manufacturer assumes no responsibility for the improper installation of this luminaire. When installing the fixture, drilling may damage luminaire wiring and electrical parts. Check for wiring and components in enclosure before drilling. Turn OFF power before installation or attempting any maintenance.

To prevent wiring damage or abrasion, do not expose wiring to edges of sheet metal or other sharp objects. When installing this kit, drilling may damage luminaire wiring and electrical parts. Check for wiring and components in enclosure before drilling.



WARNING Risk of Burn.

Disconnect power and allow fixture to cool before handling or servicing.



WARNING Risk of Personal Injury.

Wear gloves or proper handling protection to prevent cuts or abrasions when handling and maintaining this product. This equipment may have sharp edges. To reduce the risk of death, personal injury or property damage from fire, electric shock, falling parts, cuts/abrasions, and other hazards read all warning and instructions included with and on the fixture box and all fixture labels.

Avoid direct eye exposure to the light source while it is on.

NOTICE

- Green ground screw provided in proper location. Do not relocate.
- Minimum 90°C supply conductors.
- Suitable for Dry or Damp location.
- Specifications and dimensions subject to change without notice.



Contact manufacturer with any questions or concerns regarding installation of this luminaire.

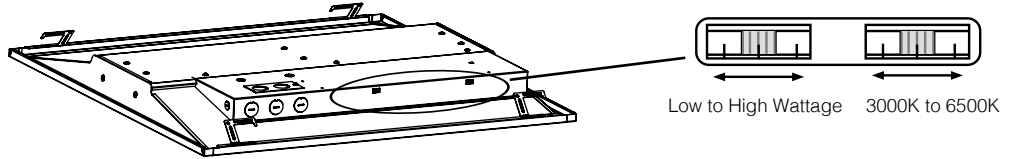
Alphalite

Installation Instructions

Infinity Volumetric LED Troffer

Wattage and CCT Adjustable

1. Move the DIP switches to the desired settings to adjust the Wattage and CCT.



Recessed Mount

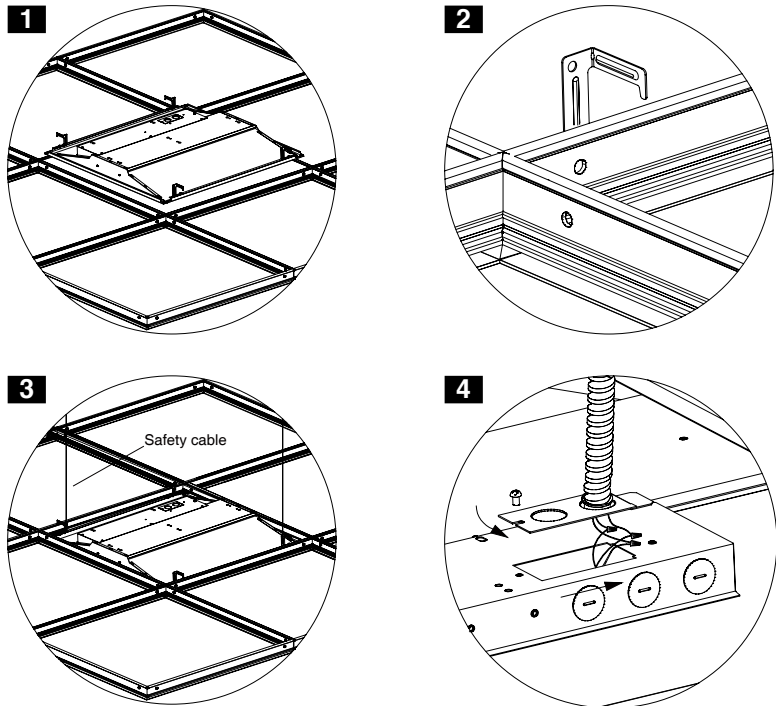
1. Bend (4) grid clip 90 degrees on each corner.

2. Install the fixture into the ceiling T-grid system. Ensure that fixture sets snugly in T-grid system and in an area are oriented in the same direction.

3. Use a hanger wire (safety cable) to tie off appropriately in accordance with local building codes, hanger wire (safety cable) provided by others.

4. Remove electrical access plate and remove necessary knockouts from access plate. Use appropriate conduit connectors as required by code to attach electrical supply cable to the access plate.

5. Wiring according the wiring diagram and then secure the access plate.

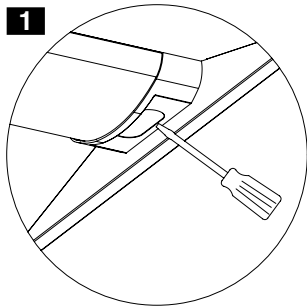


Alphalite

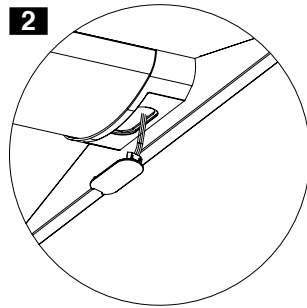
Installation Instructions

Infinity Volumetric LED Troffer

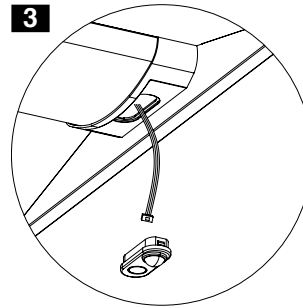
Sensor installation (For Controls Ready version)



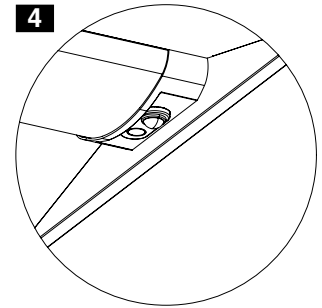
1. Locate the sensor cap.



2. Remove the cap.
Sensor wiring harness connector is attached to the cap.



3. Mate the wiring harness connector with the connector on the sensor and push, ensure solid connection. Push and lock the sensor into the hole.



4. Secure the sensor.
Setting the sensor via remote control or APP.

Wiring Diagram:



Alphasite