



PROJECT

TYPE

DATE

ITEM NO.

NOTE

## INFINITY VOLUMETRIC LED TROFFER, CENTER DIFFUSER

**ILT-CB-S3-CR Series**  
Panels and Troffers

### DESCRIPTION

The Infinity Volumetric LED Troffer series combines the benefits of long life, controllability, and energy savings with elegant design and superior quality of light. The ILT luminaires optimize LED optics and electronics to deliver energy savings and high performance.

### APPLICATION

Indoor general/ambient illumination. Idea for offices, schools, retail, and other architectural spaces that demand energy demand reduction and high quality light.



### SPECIFICATION FEATURES

#### Construction

Rugged construction: solid die-formed, cold-rolled steel. Interior utilizes highly reflective powder coat finish. All surfaces coated and baked post-fabrication with high gloss powder-paint. Diffuser lens provides even and consistent light while eliminating pixelation. Tool-less removal of diffuser allows access to LED array. LED module and driver are replaceable. Housing and optics maintain damp location rating with all internal components.

#### Electrical

Luminaire utilizes long life, high efficacy LEDs and a highly efficient, reliable LED driver. 120-347V input voltage for increased versatility. 0-10V continuous dimming Controls Ready for PIR, Wireless Bluetooth or Lutron Athena wireless node, field install in 5 seconds.

#### Mounting

Installs recessed with T-bar grid. LED module arrays and drivers accessible from fixture during service and operation, no need to access via plenum.

#### Finish

Highly reflective powder coat finish. Baked white matte paint, applied after fabrication.

#### Optics

Volumetric effect achieved by delivering a comfortable mix of light to working and surrounding surfaces, creating balanced illumination throughout the environment. Occupants can realize a productive and comfortable atmosphere through enhanced light quality and distribution. Diffuser shape, pattern, and opacity designed in conjunction with precisely-engineered reflector cavity angles to distribute LED light consistently, reducing glare and pixelation.

#### Certifications / Regulatory

cULus listed for dry and damp locations rated. IC rated.

#### Warranty

7-year limited warranty. See complete warranty terms for details.

### Quick Ship Product

ILT-CB-22S3-40L4-8A5-CR

ILT-CB-24S3-60L4-8A5-CR

ILT-CB-24S3-90L4-8A5-CR

## ORDERING INFORMATION

Sample Number: **ILT-CB-22S3-40L4-8A5-CR**

| Series  | Length       | Lumen Package                         |                                       |  |
|---|--------------|---------------------------------------|---------------------------------------|--|
| ILT-CB - Infinity Volumetric LED Troffer, Center Diffuser | 14S3 - 1'x4' | 1'x4'                                 | 2'x2'                                 | 2'x4'  |
|   | 22S3 - 2'x2' | 40L4                                  | 40L4                                  | 60L4   |
|   | 24S3 - 2'x4' | - 28/20/17/14W, 4200/3000/2550/2100lm | - 28/20/17/14W, 4200/3000/2550/2100lm | - 41/34/28/20W, 6150/5100/4200/3000lm<br>90L4<br>- 62/46/41/36W, 9300/6900/6150/5400lm |

| CRI                    | CCT  | Controls Ready      | Input Voltage                    | Customization  |
|------------------------|--|---------------------|----------------------------------|--|
| 8 - 80CRI<br>9 - 90CRI | A5 - CCT Adjustable<br>(6500/5000/4000/3500/3000K) | CR - Controls Ready | (Blank) - 120-347V<br>480 - 480V | (Blank) - standard housing<br>AH - with air handling slots |

| Control Option   | Emergency Backup   | Assembly in USA                            | Accessories                                 |
|--|--|--|---|
| MMS - Step dimming Motion Sensor (PIR) and daylight sensor (Configuration tool required RC-100)<br>MMS-BLE - Wireless Bluetooth mesh and occupancy (PIR) sensor<br>AWN-R - Lutron Athena wireless node integral fixture control (RF only)*<br>AWN-S - Lutron Athena wireless node integral fixture control (RF with daylight and occupancy sensing)*<br>VDOVRF - Lutron Vive integral fixture controller, DFCSJ-OEM<br>*Bracket CR-CB-AWN required.<br>Recommended to be used at heights of 8-12 feet for optimal coverage | EM15W - 15W constant power with integrated self-diagnostic test. | (Blank) - Non-BAA<br>BAA - Assembly in USA | FLK - Flange Kit<br>SMK - Surface Mount Kit |

SUMMARY

|                   |                                      |
|-------------------|--------------------------------------|
| Input Voltage     | 120-347V                             |
| Input Power       | See energy data for details          |
| Power Factor      | >0.95                                |
| THD (Max.)        | <20%                                 |
| Efficacy          | 150 LPW                              |
| Delivered Lumens  | See energy data for details          |
| Controls/ Dimming | 0-10V dimming Controls Ready         |
| Dimming Range     | 10-100%                              |
| CRI               | > 80                                 |
| CCT               | 6500/5000/4000/3500/3000K Selectable |
| Operating Temp.   | -4°F~122°F (-20°C~50°C)              |
| Rated Life        | 70,000 hours                         |

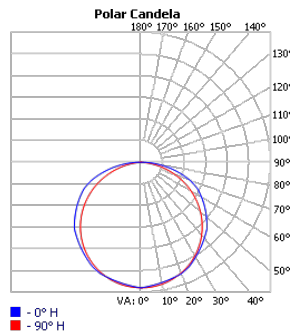
ENERGY PERFORMANCE DATA

| Form Factor | Part No.                | Rated Wattage (W) | Delivered Lumens (lm) | Efficacy (lm/W) |
|-------------|-------------------------|-------------------|-----------------------|-----------------|
| 1'x4'       | ILT-CB-14S3-40L4-8A5-CR | 28/20/17/14       | 4200/3000/2550/2100   | 150             |
| 2'x2'       | ILT-CB-22S3-40L4-8A5-CR | 28/20/17/14       | 4200/3000/2550/2100   |                 |
| 2'x4'       | ILT-CB-24S3-60L4-8A5-CR | 41/34/28/20       | 6150/5100/4200/3000   |                 |
|             | ILT-CB-24S3-90L4-8A5-CR | 62/46/41/36       | 9300/6900/6150/5400   |                 |

\*The delivered lumens above are based on highest wattage and 4000K.  
 \*\*Default setting at time of shipping are highest wattage and highest CCT.

OPTICS

Beam Angle 115°x130°



Controls Ready

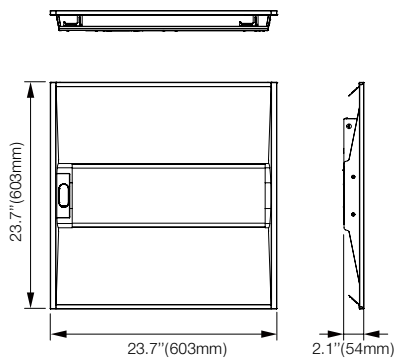
Sensor installation on-site



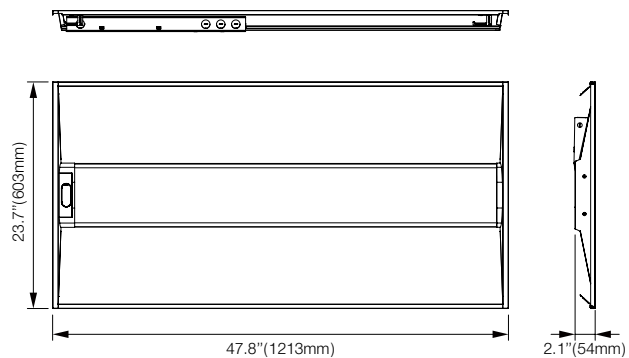
PHYSICAL PARAMETERS

DIMENSION

ILT-CB-22



ILT-CB-24



ILT-CB-14

